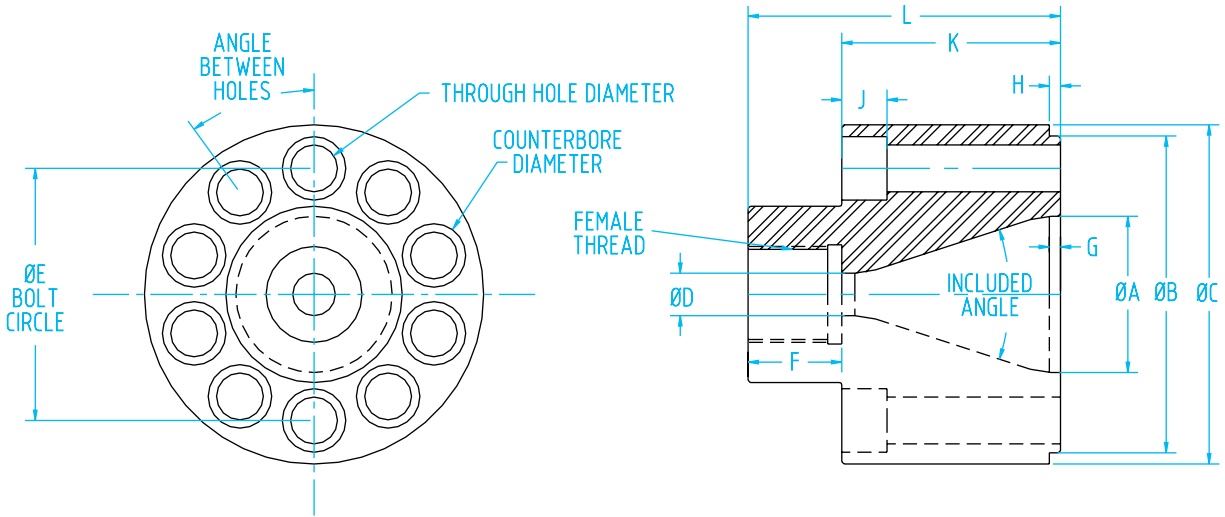


# End Cap Order / Quote Form



E (Bolt Circle): \_\_\_\_\_  
 Angle Between Holes: \_\_\_\_\_  
 Through Hole Diameter: \_\_\_\_\_  
 Counter Bore Diameter: \_\_\_\_\_

A: \_\_\_\_\_  
 B: \_\_\_\_\_  
 C: \_\_\_\_\_  
 D: \_\_\_\_\_  
 F: \_\_\_\_\_  
 G: \_\_\_\_\_  
 H: \_\_\_\_\_  
 J: \_\_\_\_\_  
 K: \_\_\_\_\_  
 L: \_\_\_\_\_

Included Angle: \_\_\_\_\_  
 Female Thread: \_\_\_\_\_

Machine Make: \_\_\_\_\_  
 Tonnage: \_\_\_\_\_  
 Oz. Capacity: \_\_\_\_\_  
 Serial #: \_\_\_\_\_

Company: \_\_\_\_\_  
 Name: \_\_\_\_\_  
 Telephone: \_\_\_\_\_  
 Email: \_\_\_\_\_

Date: \_\_\_\_\_ Quote Order