

Ring Valve Order / Quote Form

Check all that apply:

4-Piece Ring Valve

CPM 9V®

Corrosive

CPM S90V® (SS)

Control Flow

CPM 9V + Nitride

High Speed Molding

Other:

100% Free Flow Ring

General Purpose

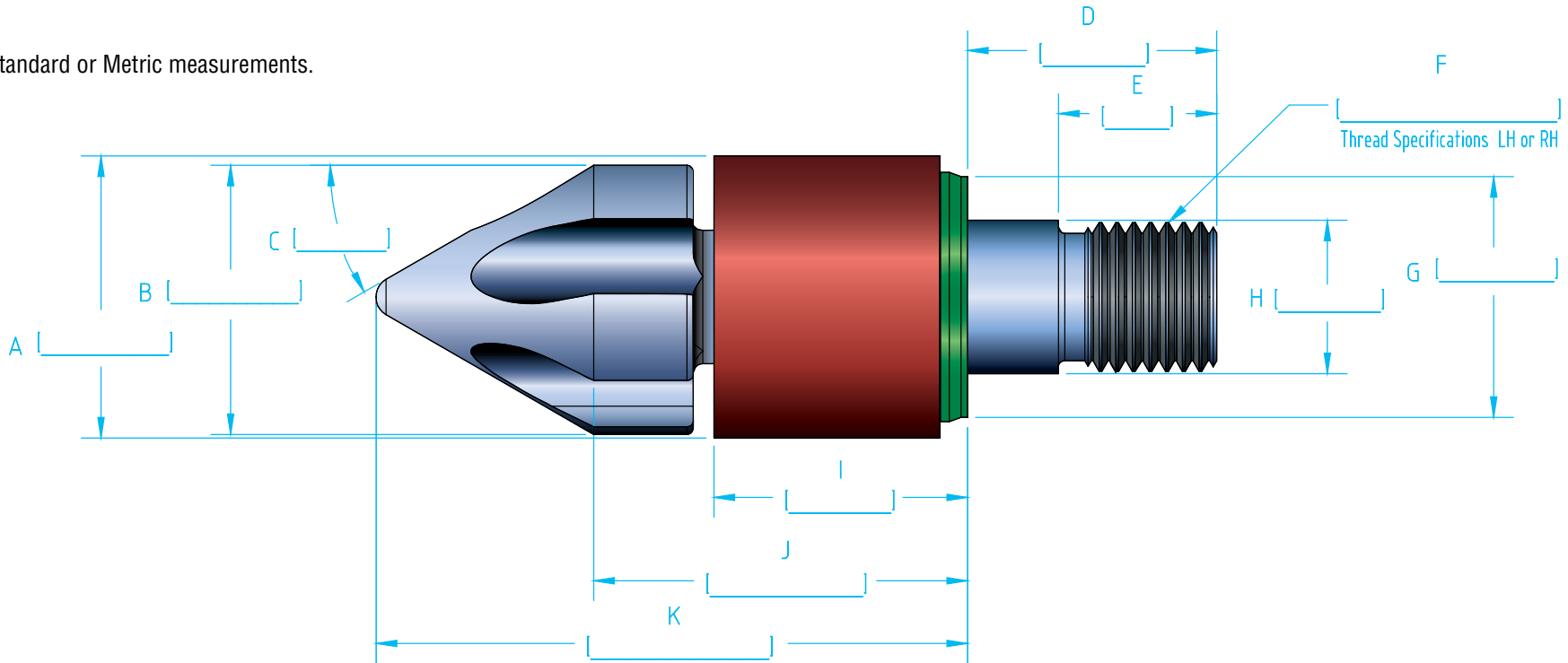
Carbide Inserts

Inter-locking Valve

Abrasive

Shear Sensitive

Use Standard or Metric measurements.



Machine Make: _____

Company: _____

Tonnage: _____

Name: _____

Oz. Capacity: _____

Phone: _____

Serial #: _____

Email: _____

Date: _____

Quote Order