

# Synchronized Aluminum Water Manifolds

Featuring synchronized valve adjustment!

**All units in stock for immediate shipment!**

**Cost-effective and compact**, Synchronized Water Manifolds save time by opening and closing 'to' and 'from' circuits simultaneously. Know with certainty when both sides of the mold circuit are open/closed, avoiding spills and preventing scrap parts. These cost saving manifolds provide both supply and return in one compact package.

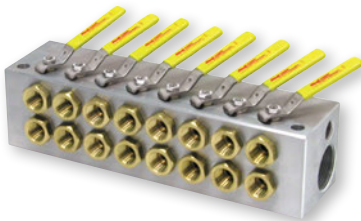
## Aluminum Cluster Models:



8 Outlets with 1/2" NPT, 1 1/2" NPT End Ports  
Page 77



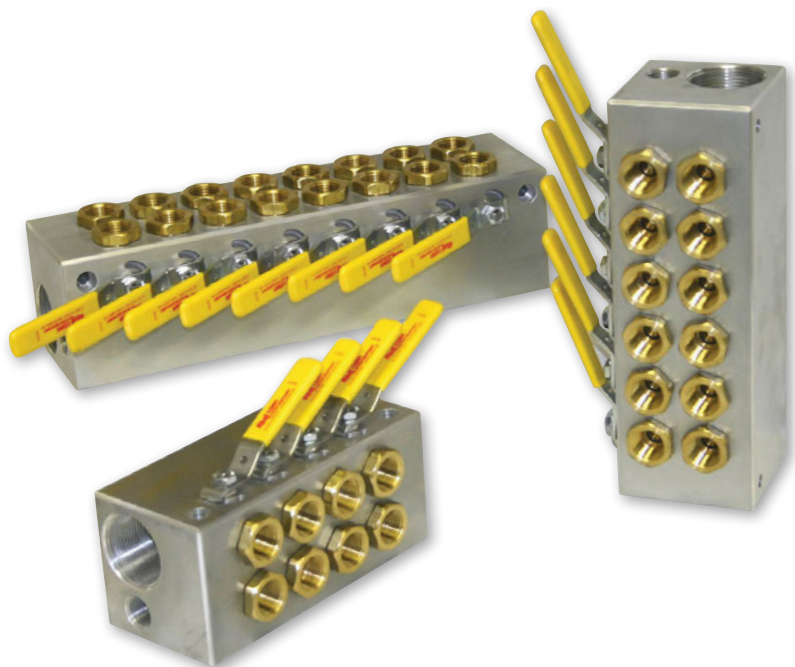
12 Outlets with 1/2" NPT, 1 1/2" NPT End Ports  
Page 78



16 Outlets with 1/2" NPT, 1 1/2" NPT End Ports  
Page 79

## Features:

- Each pair of 'to' and 'from' valve circuits operates in unison, with one handle.
- All components are corrosion resistant to ensure long, maintenance-free operation, inside and out.
- Eliminate doubt — know with certainty when 'both sides' of the mold circuit are open/closed, avoiding spills and preventing scrap parts.
- Full flow, self-cleaning, corrosion-resistant ball valves with reinforced PTFE seats.



# Synchronized Aluminum Water Manifolds

8 Port, Aluminum Cluster Model

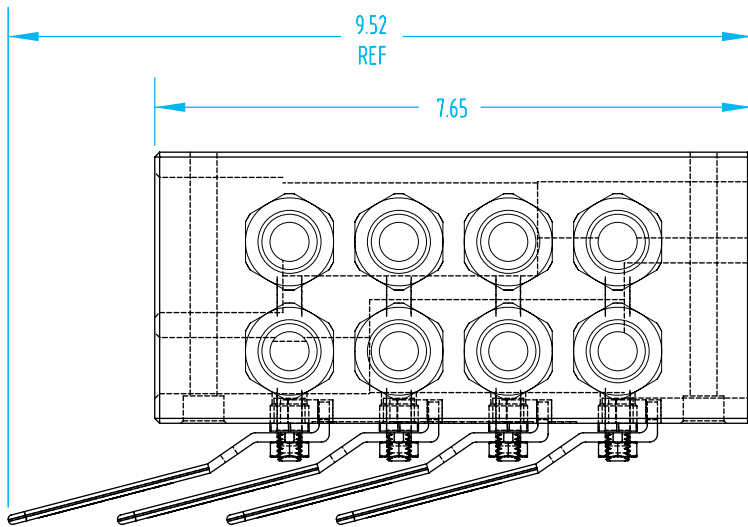
**Features:**

- Constructed from solid cast aluminum for dependable corrosion-free and rust-free operation.
- Perfect when water quality is poor.
- Pressure rated to 120 psi.
- Temperature rated to 180°F.
- Brass ball valves are self cleaning for low maintenance.
- Valves are reinforced with PTFE seats for lubrication-free operation.

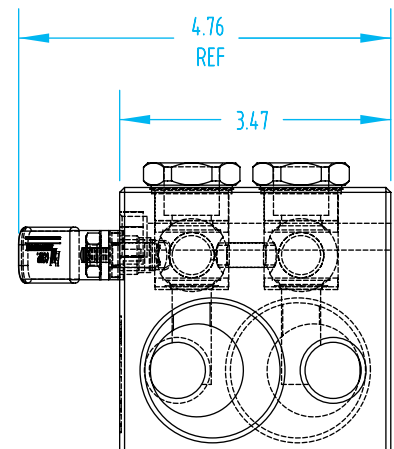
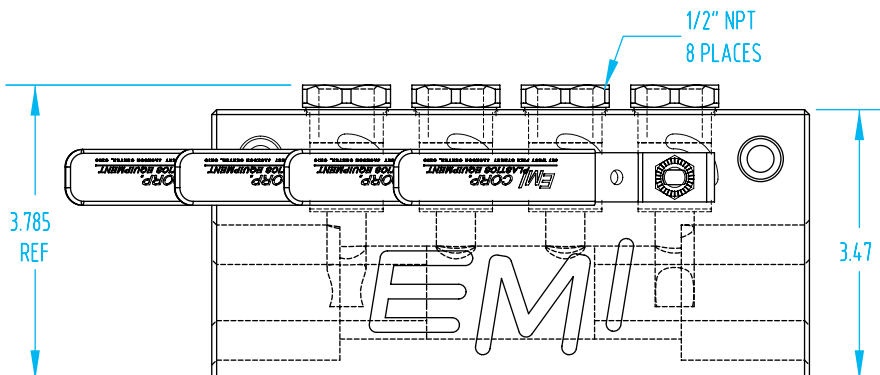


Quick#	Part#	Description	Price each
W008	AMSP4	1½" NPT End Ports, ½" NPT Outlets (8)	\$273

When ordering, use Quick#s to ensure order accuracy.



See pages 161–165 for hose, fittings, valves, and end plugs



# Synchronized Aluminum Water Manifolds

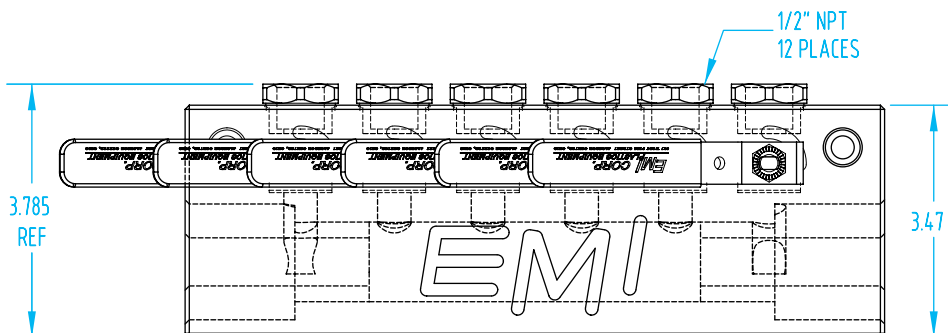
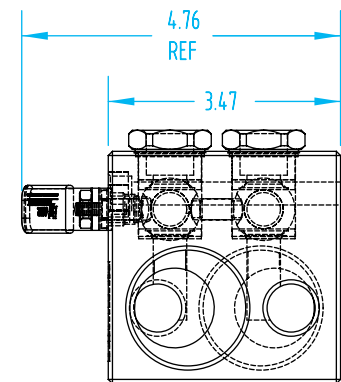
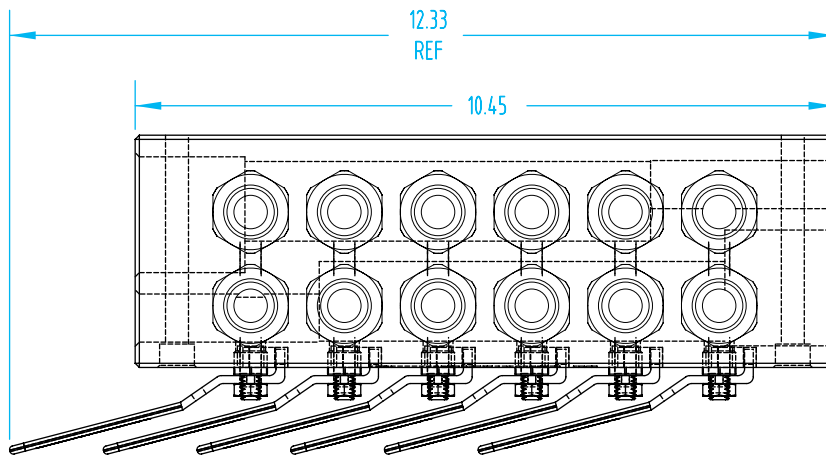
12 Outlet, Aluminum Cluster Model



**Features:**

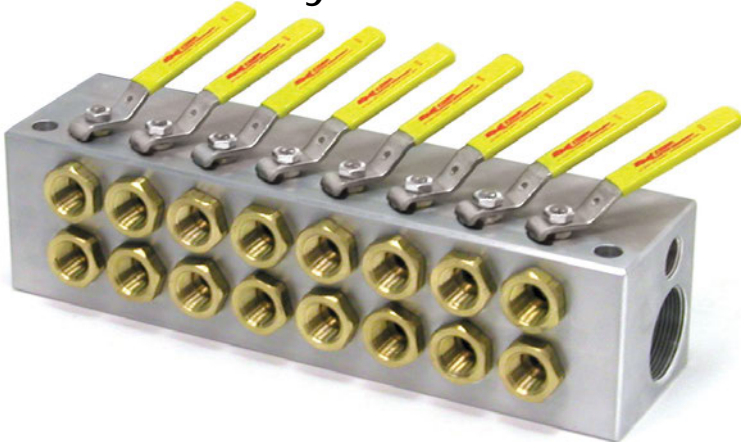
- Constructed from solid cast aluminum for dependable corrosion-free and rust-free operation.
- Perfect when water quality is poor.
- Pressure rated to 120 psi.
- Temperature rated to 180°F.
- Brass ball valves are self cleaning for low maintenance.
- Valves are reinforced with PTFE seats for lubrication-free operation.

Quick#	Part#	Description	Price each
W009	AMSP6	1½" NPT End Ports, ½" NPT Outlets (12)	\$428

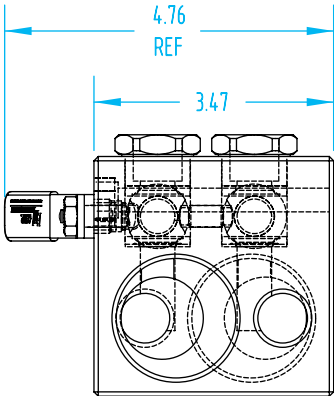


# Synchronized Aluminum Water Manifolds

16 Outlet, Aluminum Cluster Model



See pages 161–165 for hose, fittings, valves, and end plugs



Quick#	Part#	Description	Price each
W010	AMSP8	1 1/2" NPT End Ports, 1/2" NPT Outlets (16)	\$576

