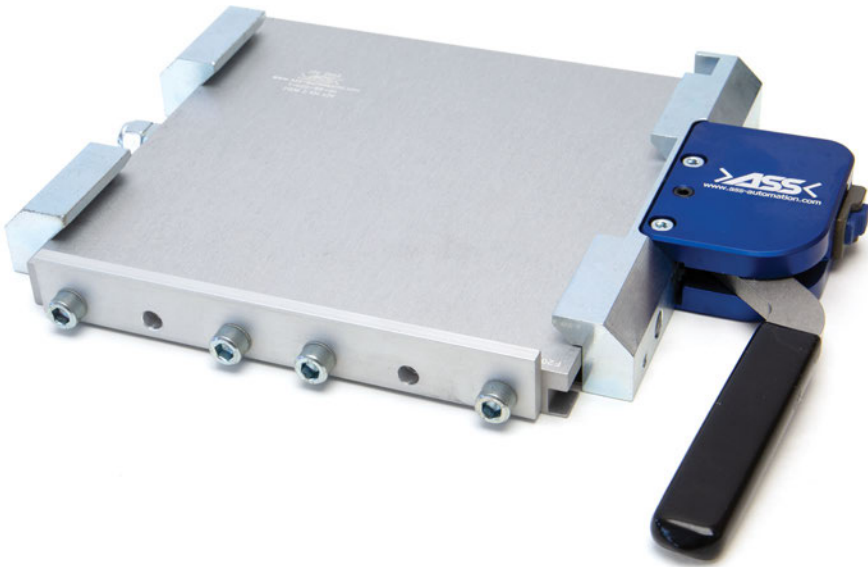


## Dovetail One-Handle Quick Changer – Robot-Side – No Fittings

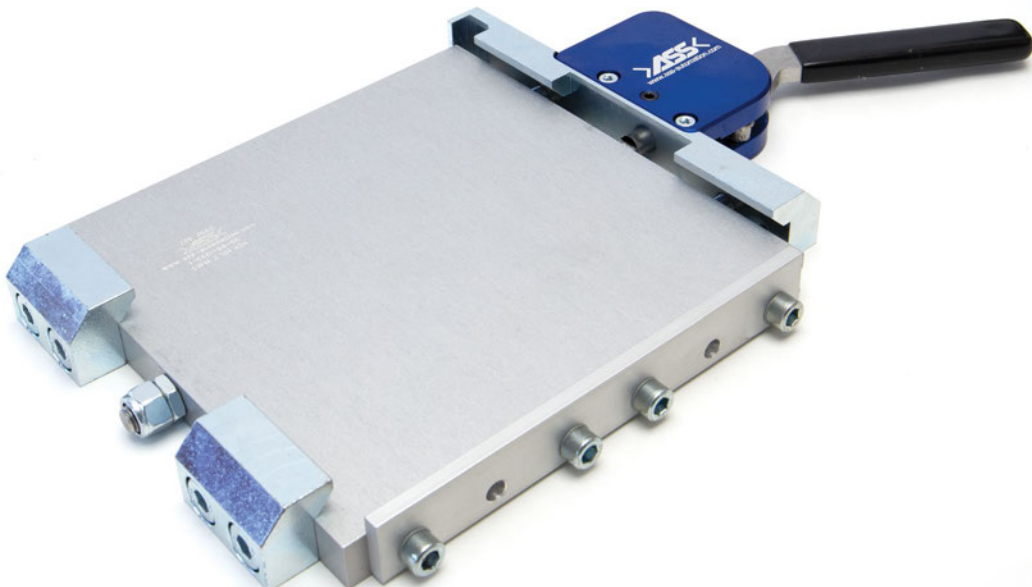


This dovetail style quick changer features a single hand locking mechanism. A safety latch prohibits accidental opening. An optional IES-8 sensor can be used to verify the locked position.

- Dovetail-type EOAT mounting plate.
- With integrated safety lock that prevents unwanted opening of the lever.
- Compatible with all profile systems.
- Safety loads listed on page 68.
- Order EOAT-Side mounting plates separately, see page 68.
- See page 69 for storage hangers.

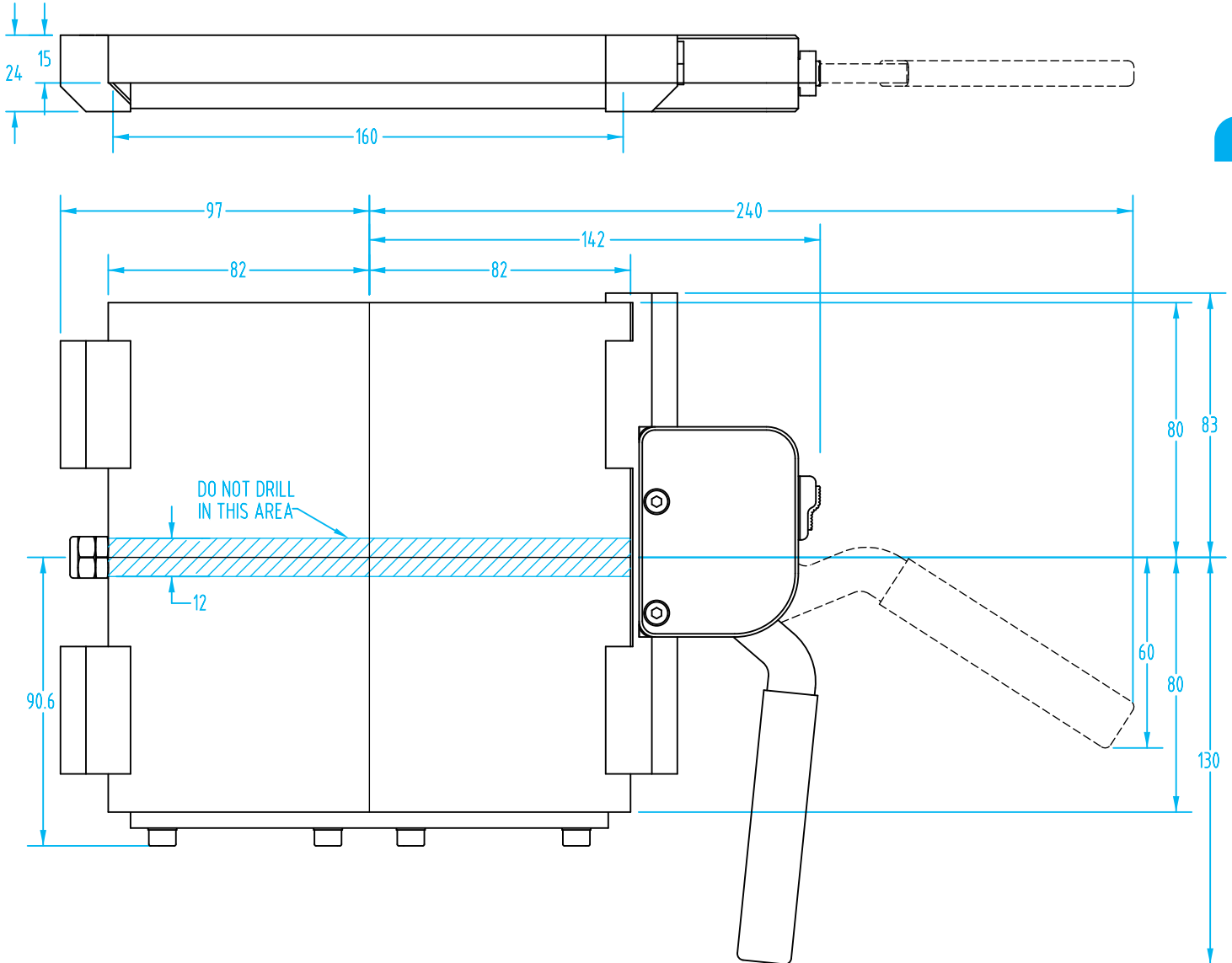
Robot Plate (without fittings)

Quick#	Part#	>ASS< #	Price	Wt.
3845	SWM-2-KH-OSK	1-000-66-00	\$495.60	1900g



## Dovetail One-Handle Quick Changer – Robot-Side – No Fittings

(Dimensioned drawings shown 1/2 scale)



Sensor IES 8, 3 pin male plug in PNP or NPN. Extension cable KG 8-3 (6' length) is included.

Quick#	Part#	Price	Type	Signal	Connection	Power Supply	Max. Switching Frequency	Voltage Drop	Operating Temperature	IEC Rating	Cable
3805	IES-8-PNP	\$49.60	3-wire inductive rectangle	PNP	M8 & .16m lead	12-30V dc	2000 Hz	1.8V	-22-185°F	IP 67	PUR
3806	IES-8-NPN	\$65.40	3-wire inductive rectangle	NPN	M8 & .16m lead	12-30V dc	2000 Hz	1.8V	-22-185°F	IP 67	PUR