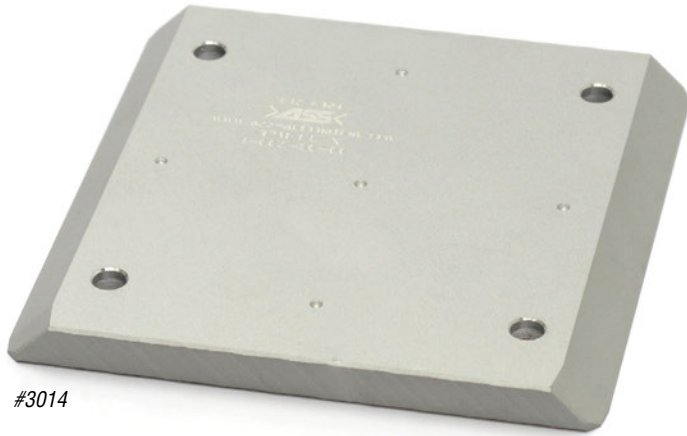
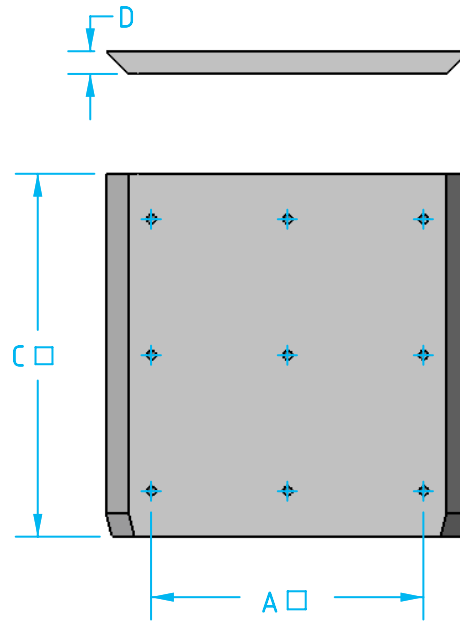


Dovetail EOAT-Side Mounting Plates



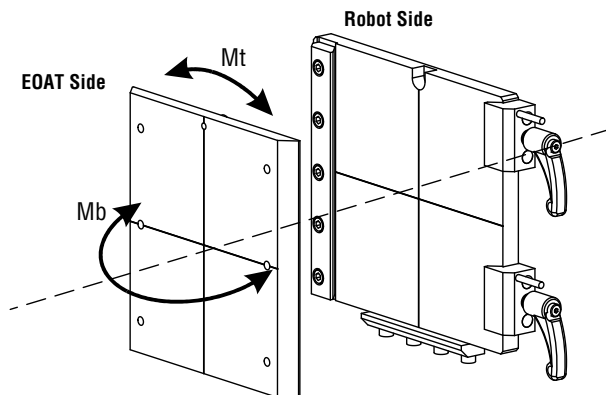
#3014



EOAT-Side Mounting Plate

Quick#	Part#	>ASS< #	Price	A	C	D	Wt.	Profile	Description
3009	GPMGR-01	1-005-05-00	\$11.55	-	40	8	29g	ANY	Solid
3010	GPMGR-0	1-005-10-00	\$14.18	35	60	8	68g	ANY	Pre-located center-punched holes
3011	GPMGR-0M	1-005-15-00	\$18.38	35	60	8	71g	L	M4 tapped threads
3012	GPMGR-1	1-005-25-00	\$17.85	70	100	8	196g	ANY	Pre-located center-punched holes
3014	GPMGR-1X	1-005-30-00	\$27.30	70	100	8	191g	X	Thru holes with counter bore. Includes M5 screws and slotted nuts
3015	GPMGR-2	1-005-40-00	\$26.78	120	160	10	639g	ANY	Pre-located center-punched holes
3016	GPMGR-2X	1-005-45-00	\$44.63	120	160	10	710g	X	Thru holes with counter bore. Includes M5 screws and slotted nuts
3017	GPMGR-2J	1-005-50-00	\$47.25	120	160	10	745g	J	Thru holes with counter bore. Includes M6 screws and slotted nuts
3018	GPMGR-3	1-005-60-00	\$42.00	200	250	10	1665g	ANY	Pre-located center-punched holes
3019	GPMGR-3X	1-005-65-00	\$59.85	200	250	10	1596g	X	Thru holes with counter bore. Includes M5 screws and slotted nuts
3020	GPMGR-3J	1-005-70-00	\$62.48	200	250	10	1592g	J	Thru holes with counter bore. Includes M6 screws and slotted nuts

Use Quick#s for easy online ordering.



>ASS< Dovetail QC Safety Loads

Dovetail Size	Mt	Mb	Suggested Payload
01	8.9	7.4	2.2 lbs
0	25.8	22.1	11.0 lbs
1	47.9	47.9	22.0 lbs
2	88.5	81.1	44.1 lbs
3	243.4	236.0	88.2 lbs

Mt= Torque Moment Limit Mb= Bending Moment Limit