

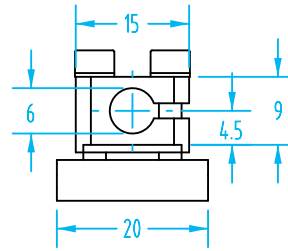
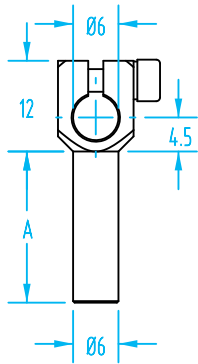
Micro Series Framing – Ø6mm

NEW

(Dimensioned drawings shown full scale)



#3787

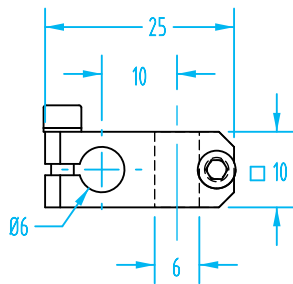


Micro Series Angle Arm

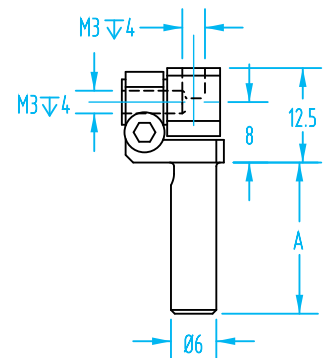
Quick#	Part#	>ASS< #	Price	A	Wt.
3787	WKA6-20	1-320-63-00	\$13.13	20	3g
3788	WKA6-40	1-320-66-00	\$13.65	40	4g
3789	WKA6-60	1-320-69-00	\$14.70	60	6g

Micro Series Cross Connector

Quick#	Part#	>ASS< #	Price	Wt.
3780	KVB6L	1-115-01-00	\$8.93	11g



#3795



Micro Series Round Cross Connector

Quick#	Part#	>ASS< #	Price	Wt.
3779	KKS6L	1-115-39-00	\$12.08	6g

Micro Series Swivel Gripper Arm

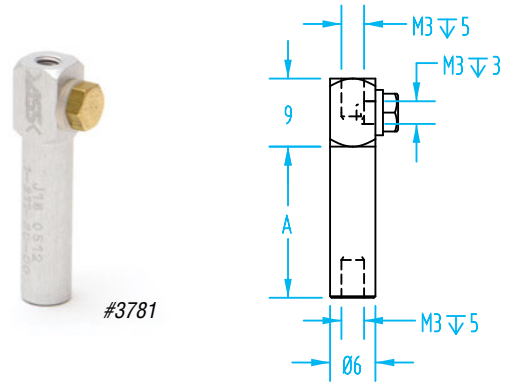
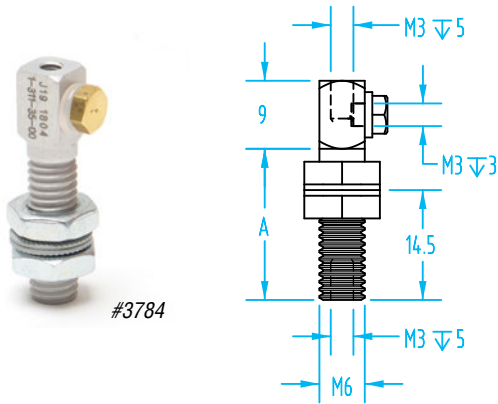
Quick#	Part#	>ASS< #	Price	A	Wt.
3795	GGE6-20	1-315-00-00	\$18.90	20	4g
3796	GGE6-40	1-315-01-00	\$19.95	40	6g
3797	GGE6-60	1-315-02-00	\$21.00	60	8g

- See page 281 for M6 and Ø6mm Suspensions.
- See pages 412–416 for Mini Vacuum Cups and M3 Fittings.
- See page 490 for New Micro Series (Nano) Sprue Grippers.

Micro Series Framing – Ø6mm

NEW

(Dimensioned drawings shown full scale)

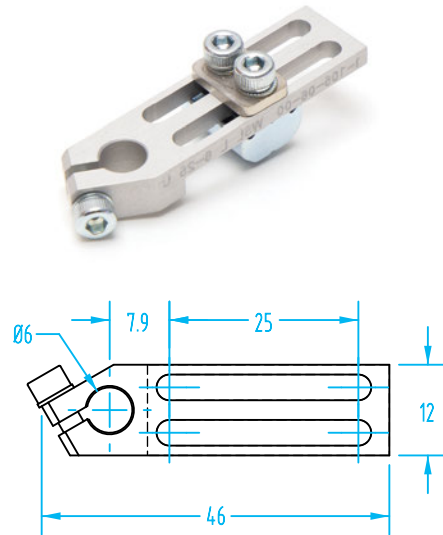
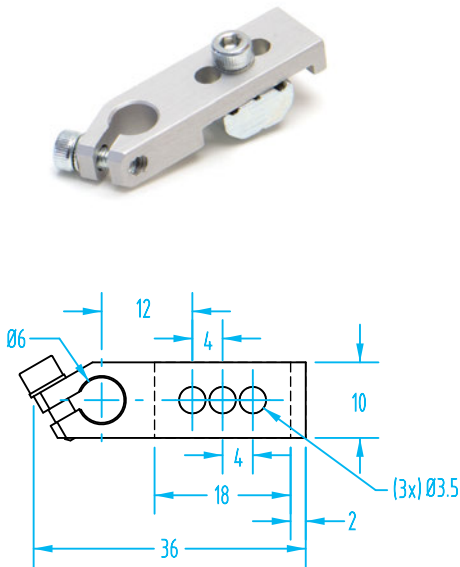


Threaded Micro Series Gripper Arm

Quick#	Part#	>ASS< #	Price	A	Wt.
3784	GSE-U-6-M6-M3-20	1-311-35-00	\$12.60	20	5g
3785	GSE-U-6-M6-M3-40	1-311-36-00	\$13.13	40	6g
3786	GSE-U-6-M6-M3-60	1-311-37-00	\$13.65	60	7g

Clampable Micro Series Gripper Arm

Quick#	Part#	>ASS< #	Price	A	Wt.
3781	GSE-U-6-M3-M3-20	1-311-30-00	\$12.60	20	3g
3782	GSE-U-6-M3-M3-40	1-311-31-00	\$13.13	40	4g
3783	GSE-U-6-M3-M3-60	1-311-32-00	\$13.65	60	6g



Micro Series Angle Clamp

Quick#	Part#	>ASS< #	Price	Wt.
3778	WST6L	1-103-01-00	\$9.98	7g

Micro Series Long Angle Clamp

Quick#	Part#	>ASS< #	Price	Wt.
3798	WSL6L	1-105-06-00	\$13.65	11g