

# Profile

(Dimensioned drawings shown full scale)

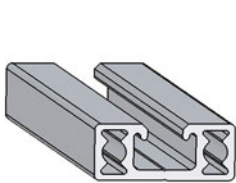
Quick#	Part#	>ASS< #	Price	Slots	Profile Type	T-Slot	Size	Length	Weight
3915	X-25/10-1M	1-052-66-00	\$12.00	1	X	X (M4)	25x10mm	1 meter	294g
3916	X-25/18-1M	1-052-86-00	\$13.88	2			25x18mm	1 meter	454g
3903	X-25/25-1M	1-052-21-00	\$14.75	4	X	X (M5)	25x25mm	1 meter	620g
3904	X-25/25-2M	1-052-22-00	\$29.50					2 meter	1240g
3905	X-50/25-1M	1-052-41-00	\$21.25	6	X	X (M5)	50x25mm	1 meter	1026g
3906	X-50/25-2M	1-052-42-00	\$42.50					2 meter	2052g
3907	J-40/40-2M	1-055-23-00	\$44.00	4	JU	X (M6)	40x40mm	2 meter	2678g
3908	J-80/40-2M	1-055-42-00	\$75.00	6			80x40mm	2 meter	4634g

### Save on Shipping Costs !

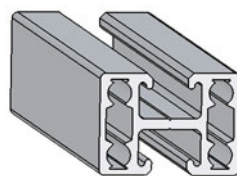
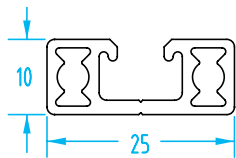
Order 1-meter profiles to save on shipping costs. (2-meter profiles ship UPS oversized and will cost approximately 2½ times as much to ship compared to 1-meter profiles.)

Use Quick#s for easy online ordering.

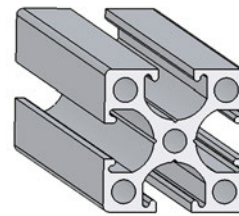
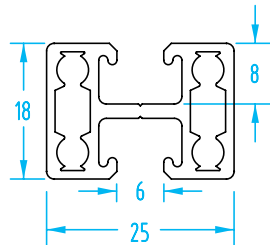
## X Profile



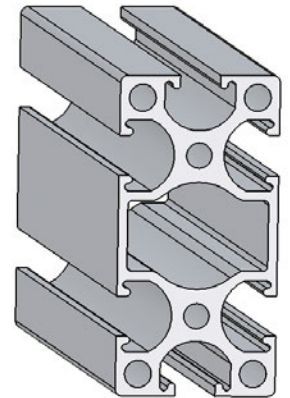
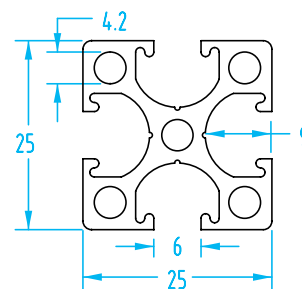
#3915



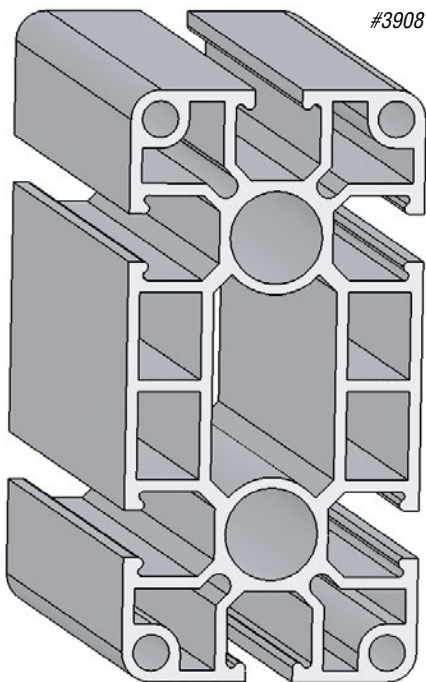
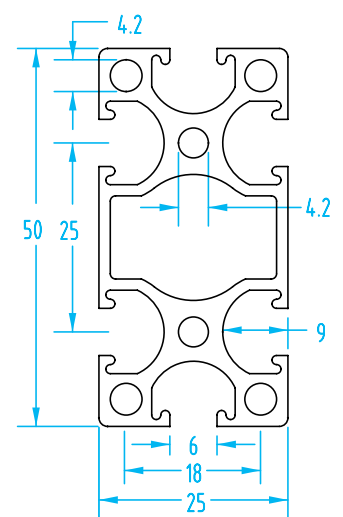
#3916



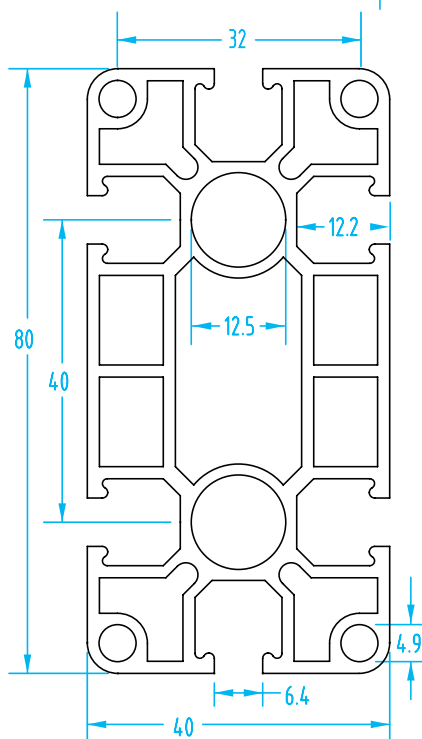
#3903 & 3904



#3905 & 3906

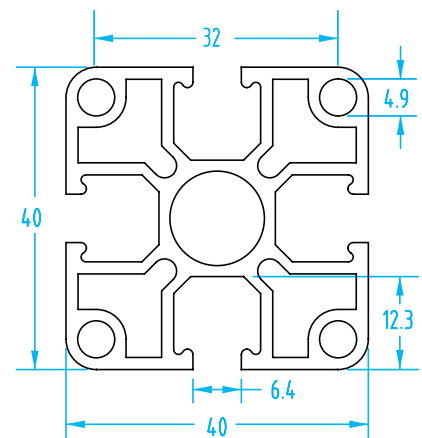


#3908

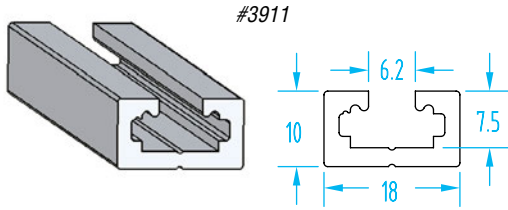


## J Profile

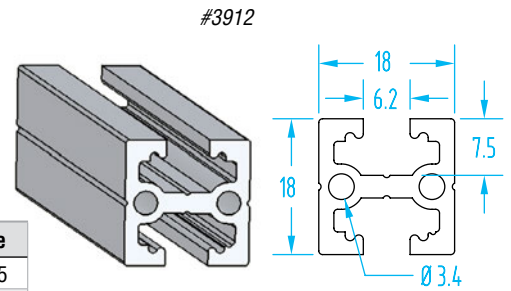
#3907



Profile Accessories

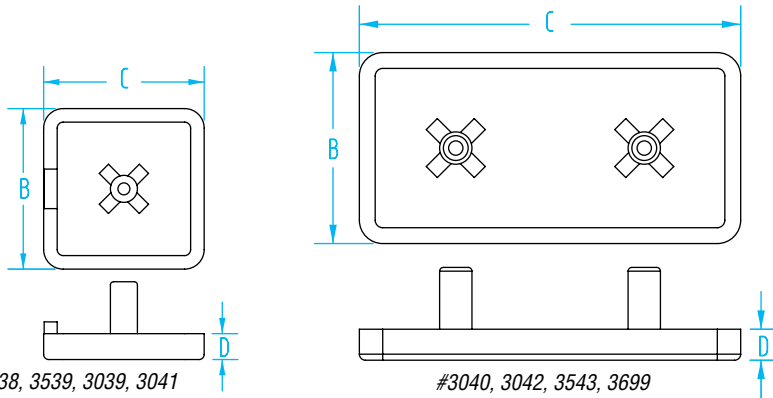


L Profile



L (Light) Aluminum Profile

Quick#	Part#	>ASS< #	Slots	Profile Type	Size	Length	Wt.	Price
3911	L-18/10-1M	1-051-21-00	1	L	18x10mm	1 meter	247g	\$7.75
3912	L-18/18-1M	1-051-46-00	2		18x18mm	1 meter	382g	\$12.00



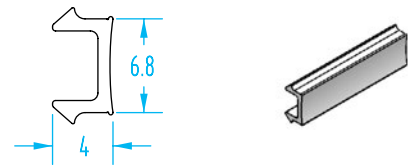
Profile End Cap

Quick#	Part#	>ASS< #	Price	B	C	D	Wt.	Use with:
3543	ADK-L-18-10	1-190-20-00	\$1.05	18	10	4	1g	L 18/10
3699	ADK-L-18-18	1-190-22-00	\$1.05	18	18	4	1g	L 18/18
3538	ADK-X-25-10	1-190-23-00	\$1.05	25	10	4	1g	X 25/10
3539	ADK-X-25-18	1-190-24-00	\$1.05	25	18	4	1g	X 25/18
3039	ADK25/25X	1-190-25-00	\$1.05	25	25	4	2g	X 25/25
3040	ADK50/25X	1-190-30-00	\$1.58	25	50	4	3g	X 50/25
3041	ADK40/40J	1-190-37-00	\$2.10	40	40	4	4g	J 40/40
3042	ADK80/40J	1-190-42-00	\$2.63	40	80	4	8g	J 80/40

Plastic Profile Channel Cover

Quick#	Part#	>ASS< #	Price	Length	Use with:
3698	ADP-1000	1-090-11-00	\$6.30	1 meter	L, X, JU

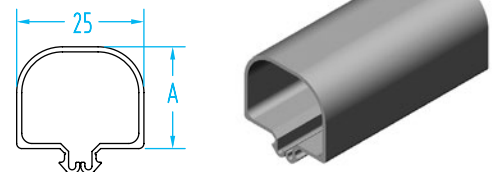
ADP channel covers snap into the profile channel and close the profile channel.



Plastic Tube & Wire Channel

Quick#	Part#	>ASS< #	Price	A	Length	Use with:
3652	KKP-25-20	1-090-13-00	\$5.78	20	1 meter	L, X, JU
3653	KKP-25-35	1-090-16-00	\$7.88	35	1 meter	L, X, JU

KKP channel covers snap into the profile channel to route tubing and wires.



PA Twist-On Channel Saddle

Quick#	Part#	>ASS< #	Price	Wt.	Use with:
3583	KKB-X-JU	1-790-41-00	\$1.58	4g	X, JU

KKB twist on zip-tie saddle used to achieve clean and professional looking end-of-arm tools.

