

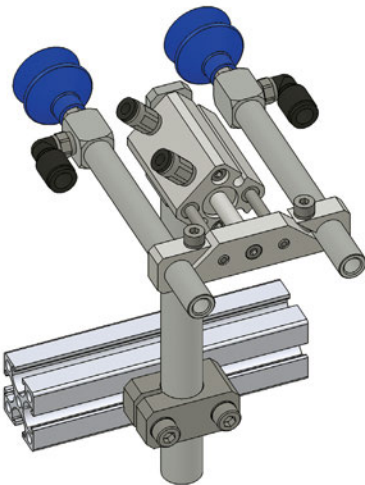
Compact Cylinders with Integrated Clamp Arm – SZD

(Dimensioned drawings shown 2/3 scale)



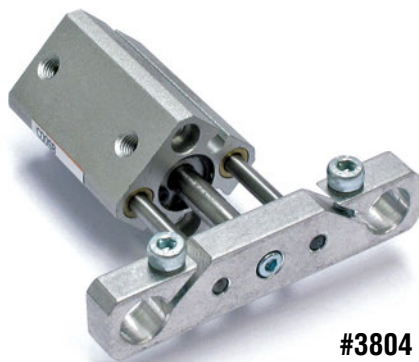
Deep-cored parts such as cups, pails, and buckets usually require gripping on the side of the part. To prevent the vacuum cups from dragging against the part, a separately actuated assembly is required. As the EOAT advances toward the part in the mold, there must be clearance between vacuum cups and the part. Once the EOAT is in position, the vacuum cups generate vacuum as they make contact with the part. Initially, the cylinder in this illustration appears to be mounted 'backwards.' But actually, this mounting configuration is preferred because it eliminates the torsional force on the air cylinder rod. When the cylinder rod is retracted into the cylinder body, it pulls the vacuum cups in contact with the part. And because the cylinder rod is not extended, there is no torsional force on it.

Mounting brackets on pages 766–767

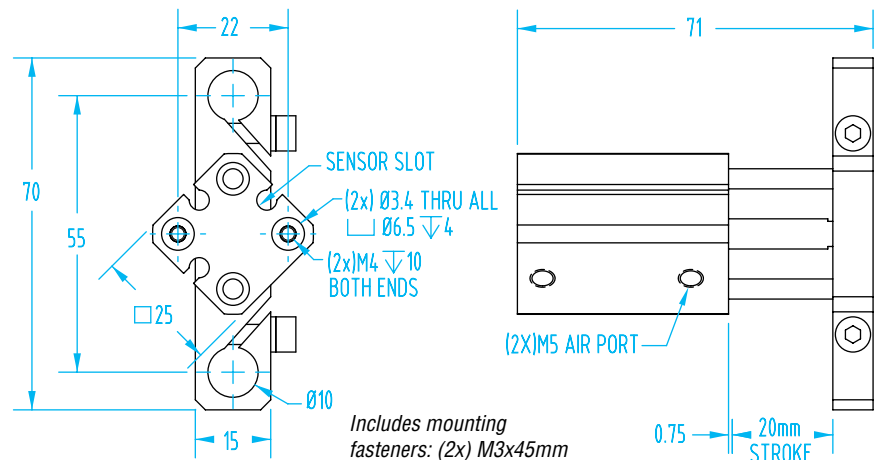


Quick#	Part#	>ASS< #	Price	Stroke	Extension force*	Retraction force*	Wt.
3804	SZD12-20A	1-715-06-00	\$156.45	20mm	15 lbf	11 lbf	98g
3814	SZD20-50A	1-715-42-00	\$169.05	50mm	42 lbf	32 lbf	334g
3824	SZD32-50A	1-715-72-00	\$189.53	50mm	108 lbf	81 lbf	567g
<i>Order 3-wire sensors separately</i>				<i>*Note: Force at 87psi (6 bar)</i>			
5430	D-M9PL	\$33.70	PNP, Straight with lead, 3m long				
2412	D-M9NL	\$33.70	NPN, Straight with lead, 3m long				
5497	D-M9P SAPC	\$42.06	PNP, Straight with M8 connector, 0.5m long				
5498	D-M9N SAPC	\$42.06	NPN, Straight with M8 connector, 0.5m long				

Note: Additional cylinder strokes from 10mm–50mm of each bore can be found online.



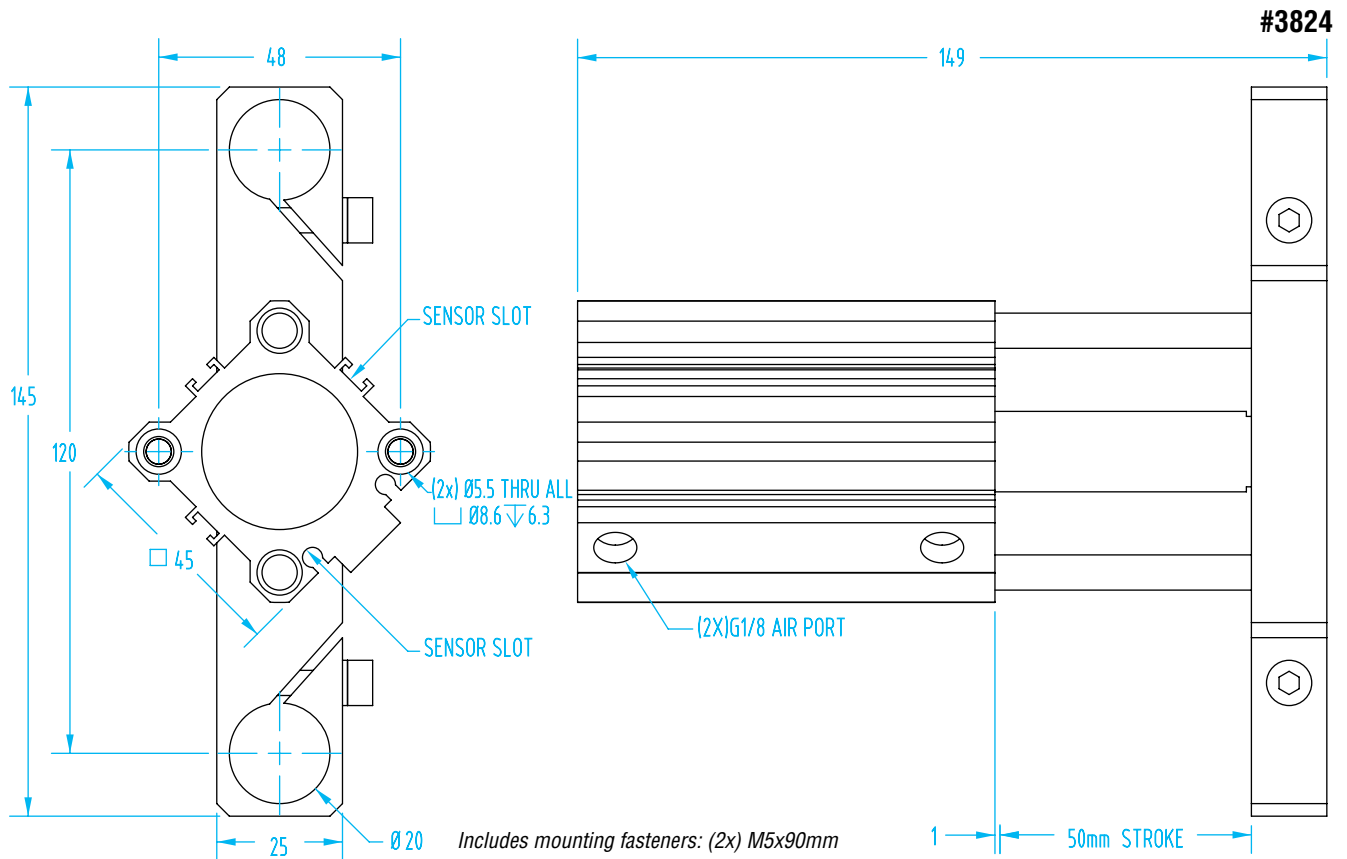
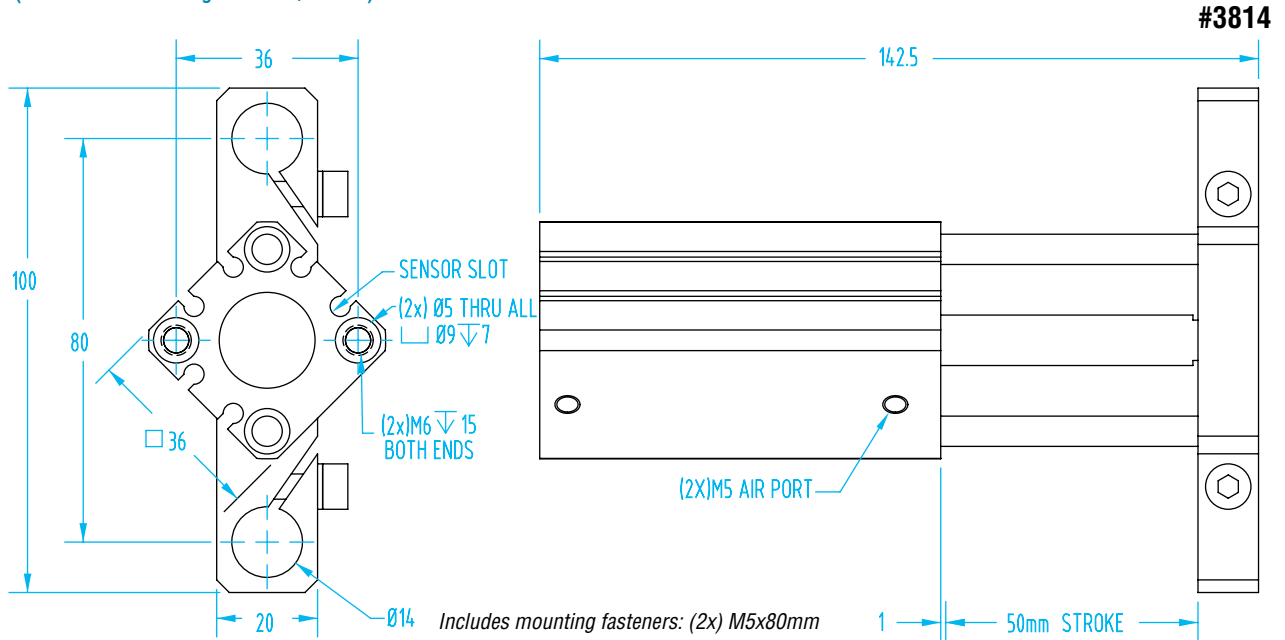
#3804



Includes mounting fasteners: (2x) M3x45mm

Compact Cylinders with Integrated Clamp Arm – SZD

(Dimensioned drawings shown 2/3 scale)



Stroke Reducers for SZD Compact Cylinders



Quick#	Part#	Price	Description	Stroke Reduction
3764	DB-5-20	\$11.55	For Cylinders with 20mm bore (#3814)	5mm
3765	DB-10-20	\$12.60		10mm
3766	DB-15-20	\$14.18		15mm
3758	DB-5-32	\$9.45	For Cylinders with 32mm bore (#3824)	5mm
3759	DB-10-32	\$10.50		10mm
3760	DB-15-32	\$15.75		15mm