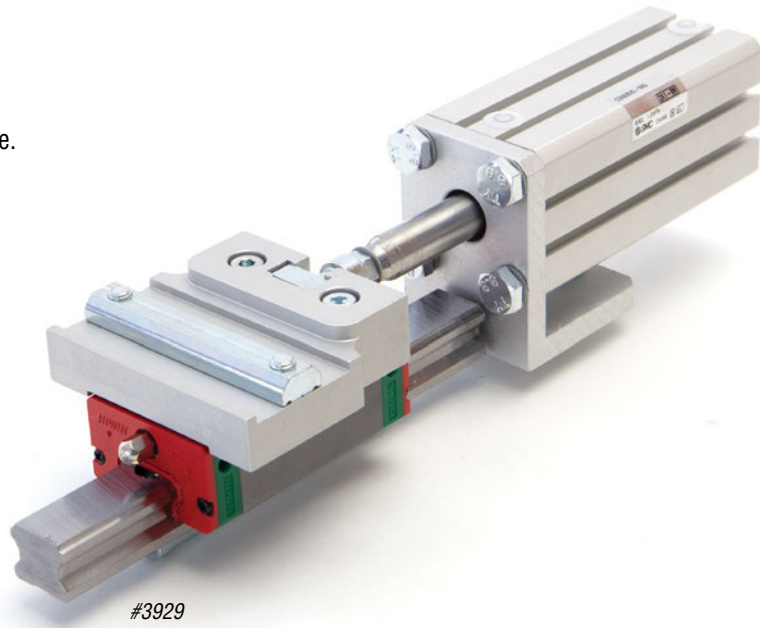


Heavy-Duty Guided Cylinders – HUE-X

- Double acting.
- Consists of a linear bearing that mounts in the channel of all 25mm X >ASS< & Gimatic profile.
- Excellent for precise linear movements.
- Sensors available.

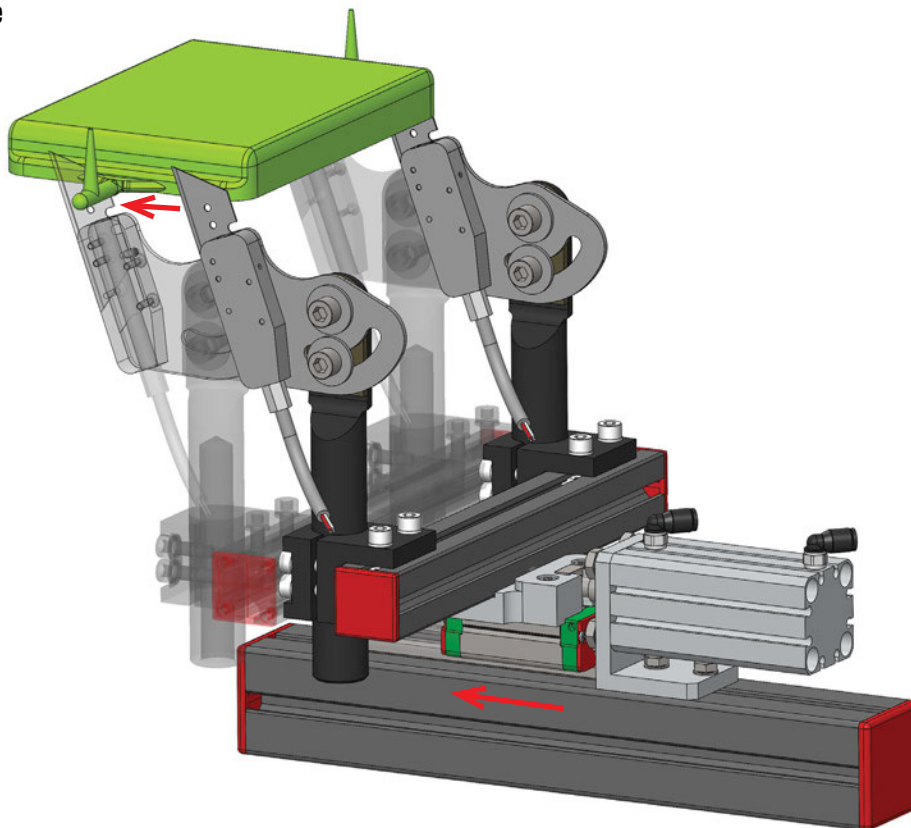


NEW

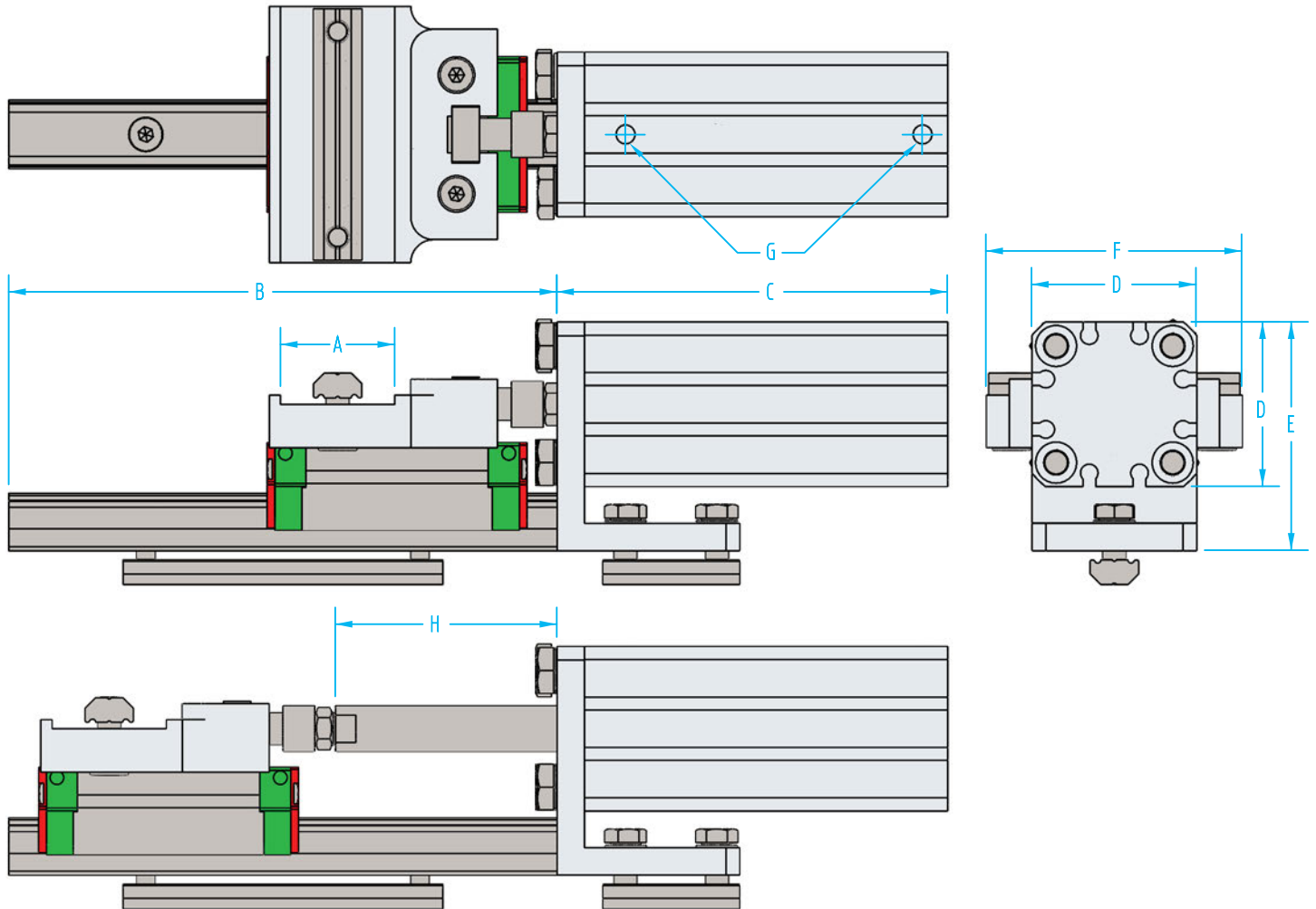
Quick#	Part#	>ASS<#	Price	Stroke	Extension force*	Retraction force*	Piston bore	Wt.
3928	HUE-X-25-30-20	1-745-50-00	\$246.75	30mm	42.3 lbf	31.9 lbf	20mm	656g
3929	HUE-X-25-50-20	1-745-51-00	\$246.75	50mm				740g
3930	HUE-X-25-75-20	1-745-52-00	\$266.18	75mm				869g
3931	HUE-X-25-100-20	1-745-53-00	\$279.30	100mm				967g
3932	HUE-X-25-125-20	1-745-54-00	\$294.00	125mm				1089g

*Note: Force at 87psi (6 bar)

Application Example



Heavy-Duty Guided Cylinders – HUE-X



Quick#	Part#	A	B	C	D	E	F	G	H
3928	HUE-X-25-30-20	25	100	65.5	36	50	56	M5	30
3929	HUE-X-25-50-20	25	120	85.5	36	50	56	M5	50
3930	HUE-X-25-75-20	25	145	122	36	50	56	M5	75
3931	HUE-X-25-100-20	25	170	147	36	50	56	M5	100
3932	HUE-X-25-125-20	25	195	172	36	50	56	M5	125

Sensors

Quick#	Part#	Price	Description
5430	D-M9PL	\$33.70	PNP, Straight with lead, 3m long
2412	D-M9NL	\$33.70	NPN, Straight with lead, 3m long
5497	D-M9P SAPC	\$42.06	PNP, Straight with M8 connector, 0.5m long
5498	D-M9N SAPC	\$42.06	NPN, Straight with M8 connector, 0.5m long