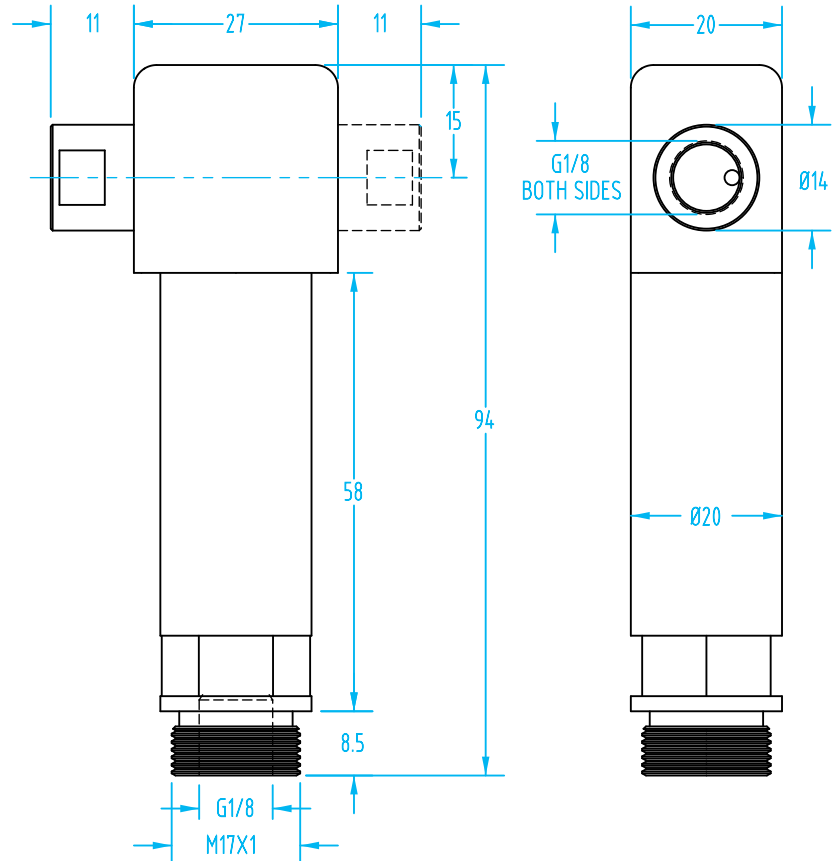


Parallel Gripper Finger – QGR

- Single acting, spring return.
- The rod-end has a G1/8 thread to accept an adapter to install a vacuum cup or pressure plate.
- To push or clamp parts, use a DPL pressure plate (Q#3440, page 769) with a G1/8" to M5 reducer (Quick# 224, page 1069).
- Sensing capable, bands and sensors sold separately.



(Dimensioned drawings shown full scale)



NEW

Quick#	Part#	>ASS< #	Stroke	Extension Force*	Ø	Price	Wt.
3892	QGR-20	1-455-20-00	10mm	17.98 lbf	20	\$192.15	102g

*Note: Force at 87psi (6 bar)

Sensor Band

Quick#	Part#	Ø	Price
7308	SWP-020	20mm	\$2.13

Note: Use with D-M9.. SMC sensors on page 1004 or Gimatic SS or SN series sensors on page 1002.

Application Example

