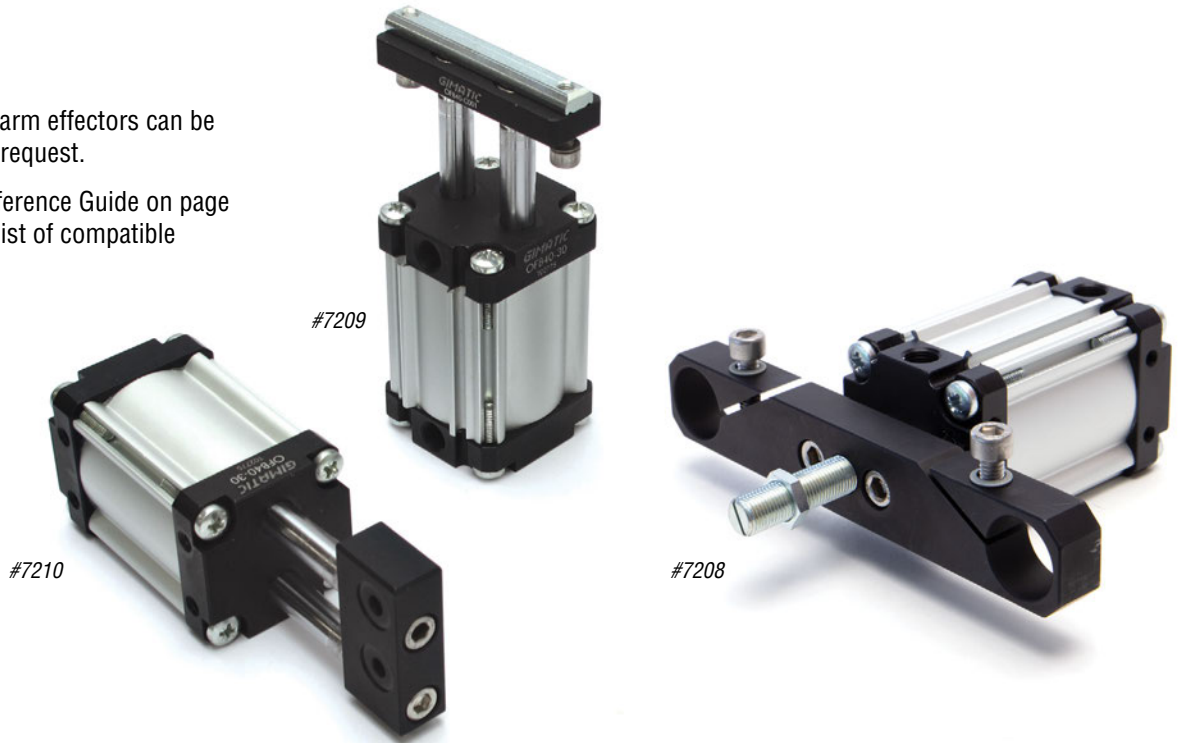


Heavy-Duty Short Stroke Cylinder – OFB

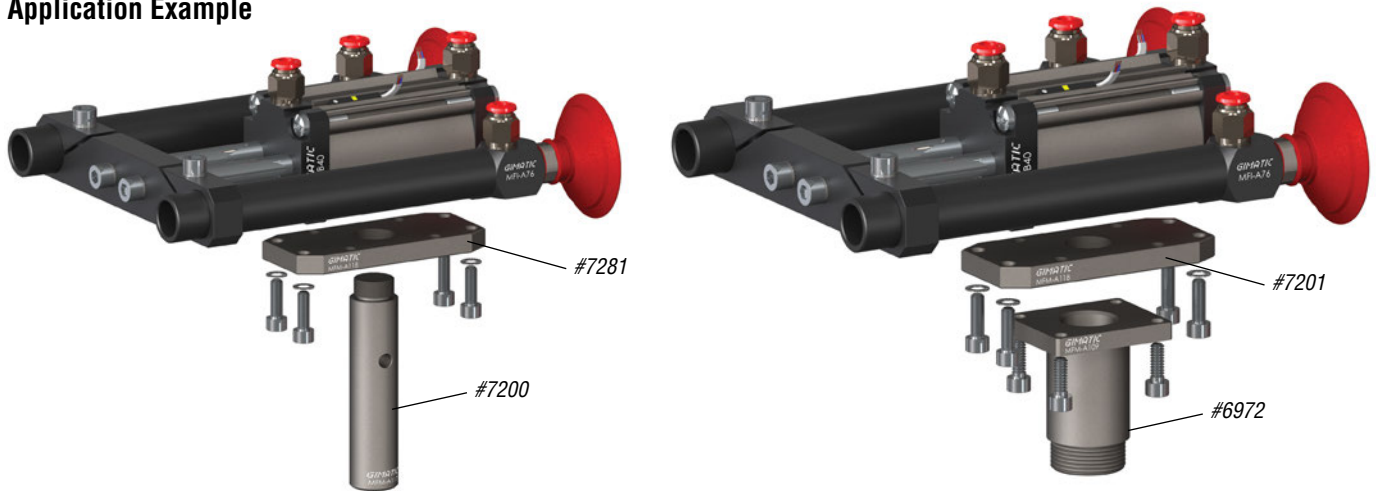
- Double acting
- Custom clamp arm effectors can be made per your request.
- See Sensor Reference Guide on page 1007 for a full list of compatible sensors.



Quick#	Part#	Price	End effector	Stroke	Extension force*	Retraction force*	Piston bore	Wt.
7208	OFB40-A30	\$186.00	Clamp for vacuum cup arms	30mm	148lbf	169lbf	40mm	475g
7209	OFB40-C30	\$186.00	Profile adaptor					397g
7210	OFB40-B30	\$186.00	Nipper clamp adaptor					406g
7196	OFB40-A50	\$187.00	Clamp for vacuum cup arms	50mm	148lbf	169lbf	40mm	523g
7197	OFB40-C50	\$187.00	Profile adaptor					445g
7198	OFB40-B50	\$187.00	Nipper clamp adaptor					454g

*Note: Force at 87psi (6 bar)

Application Example



Mounting Accessories - Fasteners Included

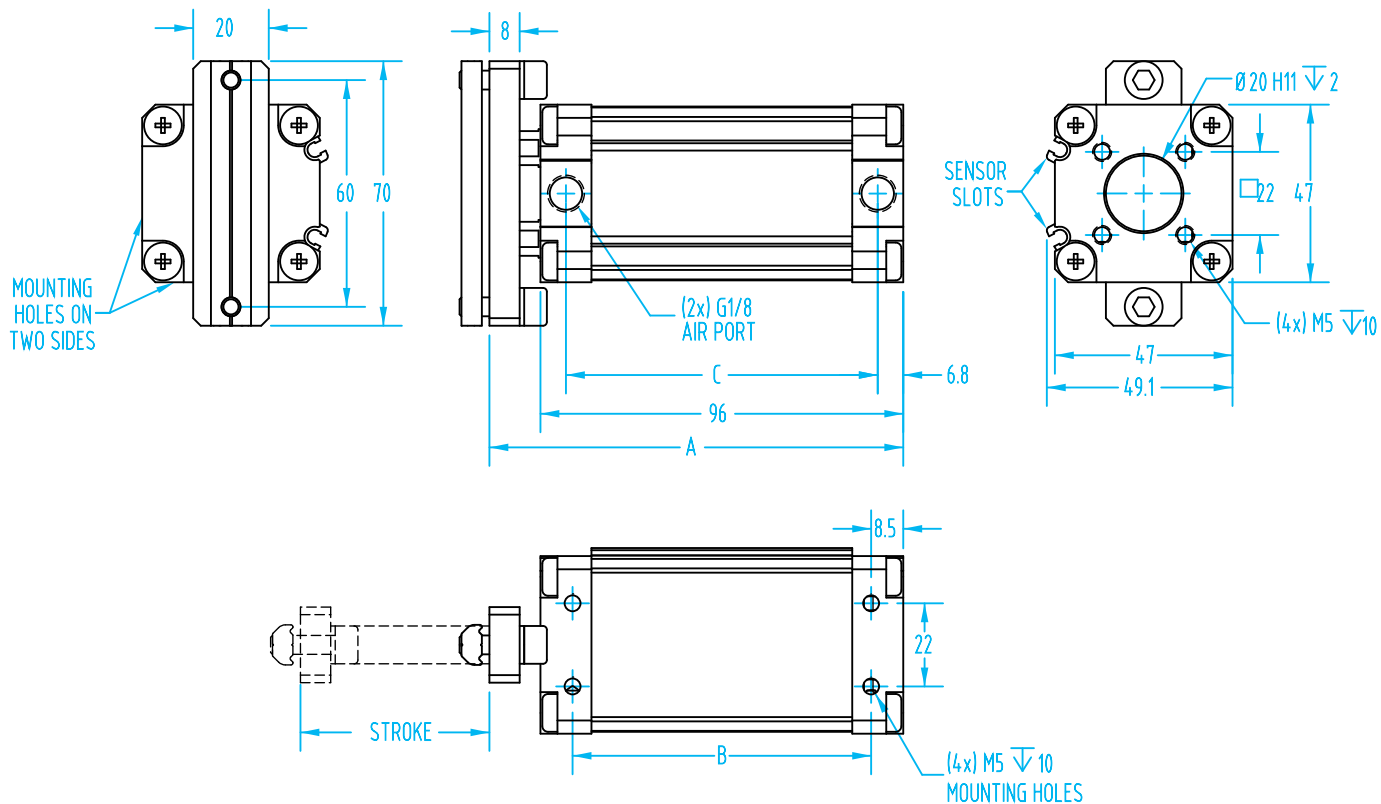
Quick#	Part#	Price	Description	Dimensions	Thread
7281	MFM-A119	\$23.24	Interface Plate for OFB40-30	69L x 39W x 8H	M17x1
7201	MFM-A118	\$25.40	Interface Plate for OFB40-50	89L x 39W x 8H	M17x1
6972	MFM-A109	\$37.44	Ø30 stud	32mm Clampable Length	M27x1
7200	MFM-A117	\$15.00	Ø20 stud	80mm Clampable Length	M17x1

Heavy-Duty Short Stroke Cylinder – OFB

(Dimensioned drawings shown 1/2 scale)

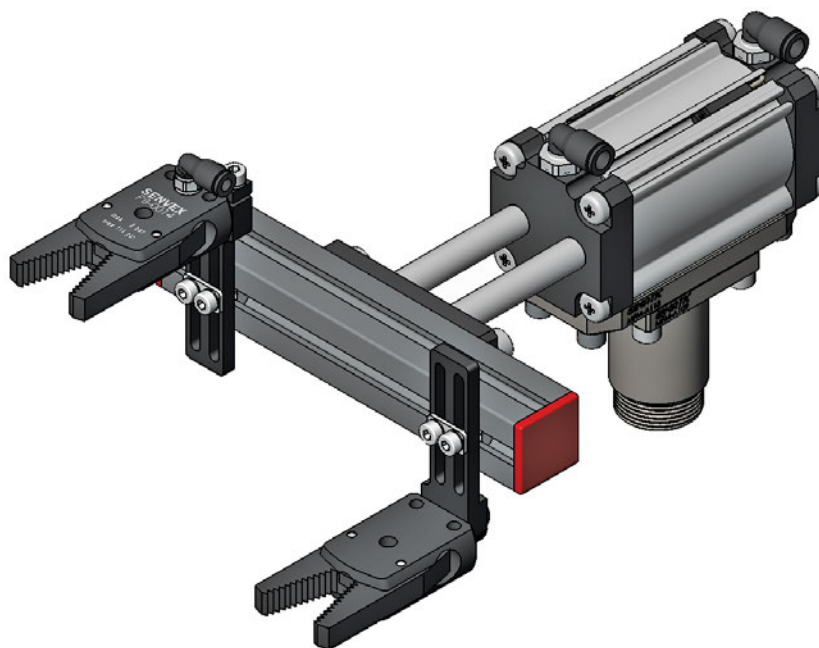
OFB40-C...

#7209 & #7197(shown)



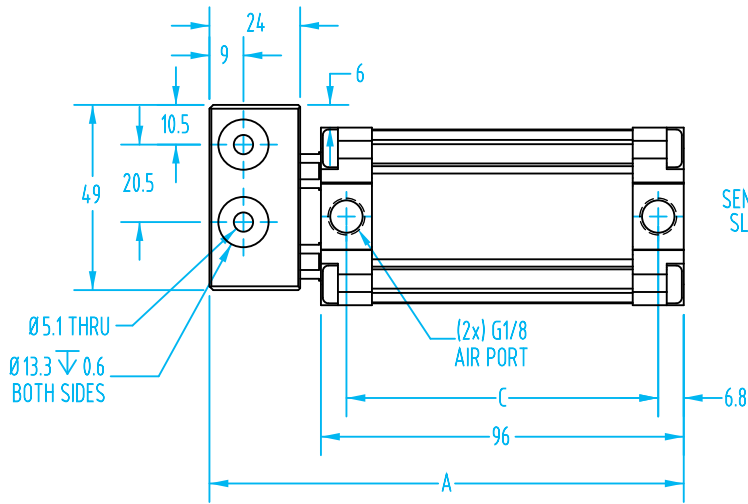
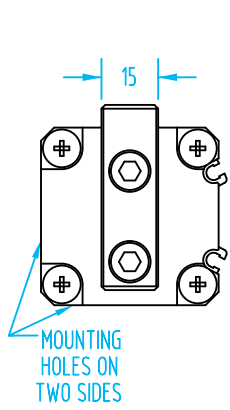
Quick#	Stroke	A	B	C
7209	30mm	89.5	59	62.6
7197 (shown)	50mm	109.5	79	82.6

Application Example

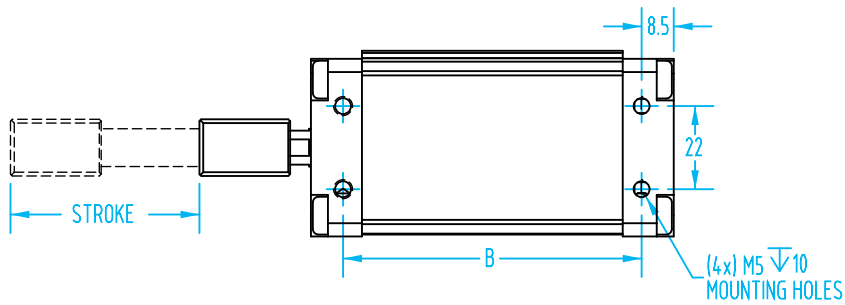
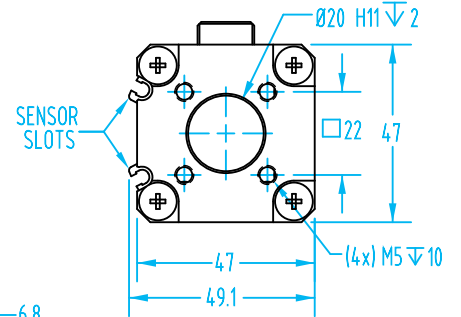


Heavy-Duty Short Stroke Cylinder – OFB

(Dimensioned drawings shown 1/2 scale)



**OFB40-B...
#7210 & #7198(shown)**



Quick#	Stroke	A	B	C
7210	30mm	105.5	59	62.6
7198 (shown)	50mm	125.5	79	82.6

Application Example

