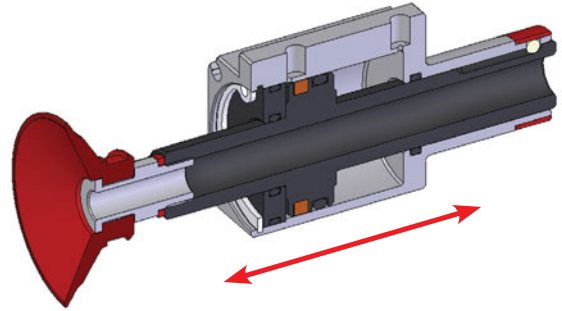


Vacuum Cylinder – OFL

- Double acting with 20mm or 30mm piston bore.
- Large thru-hole for M5 or G1/8" vacuum cup fittings.
- Smooth, non-rotating activation for consistent positioning.
- Ø20mm clampable shaft.
- See Sensor Reference Guide on page 1007 for a full list of compatible sensors.



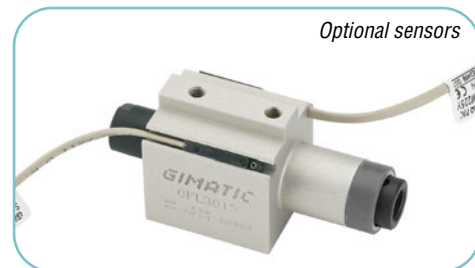
Quick#	6771	6772	7126
Part#	OFL2010	OFL3015	OFL3030
Price	\$113.00	\$123.00	\$202.00
Medium	Filtered, lubricated / non lubricated compressed air		
Pressure range	29–116 psi		
Temperature range	41°–140°F		
Extension / retraction force at 87 psi	29 lbf	67 lbf	67 lbf
Total stroke (±0.2 mm)	10mm	15mm	30mm
Weight	60g	110g	140g

Use Quick#s for easy online ordering.

Sensors

Quick#	Part#	Price	Signal	Description
1882	SS4N225G	\$27.20	PNP	3-wire SS Style with lead
1883	SS4M225G	\$27.20	NPN	3-wire SS Style with lead
1884	SS3M203G	\$31.16	NPN	3-wire SS Style with M8 connector
6282	SS3N203G	\$31.16	PNP	3-wire SS Style with M8 connector

Optional sensors



Thru-hole for vacuum feed.

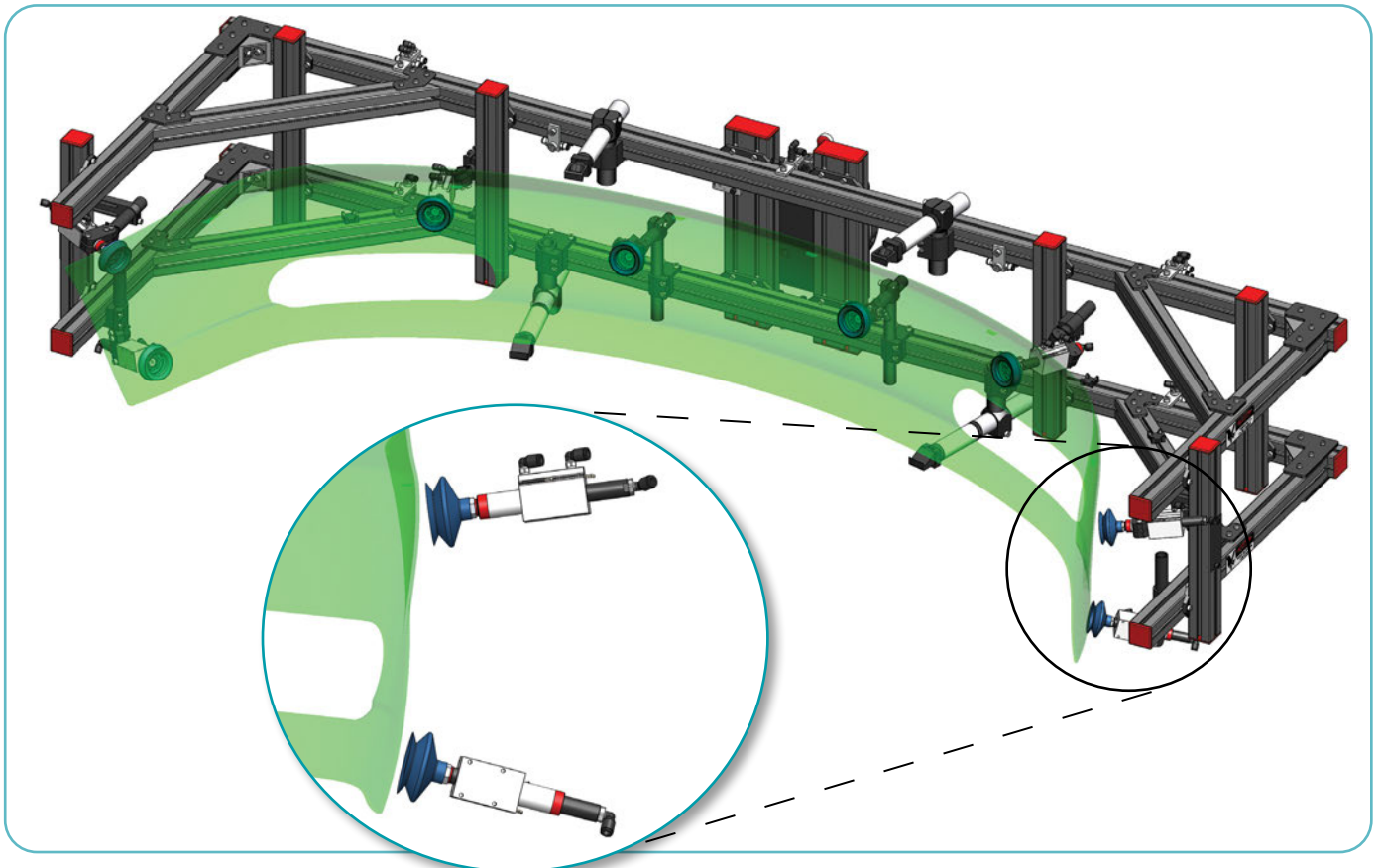
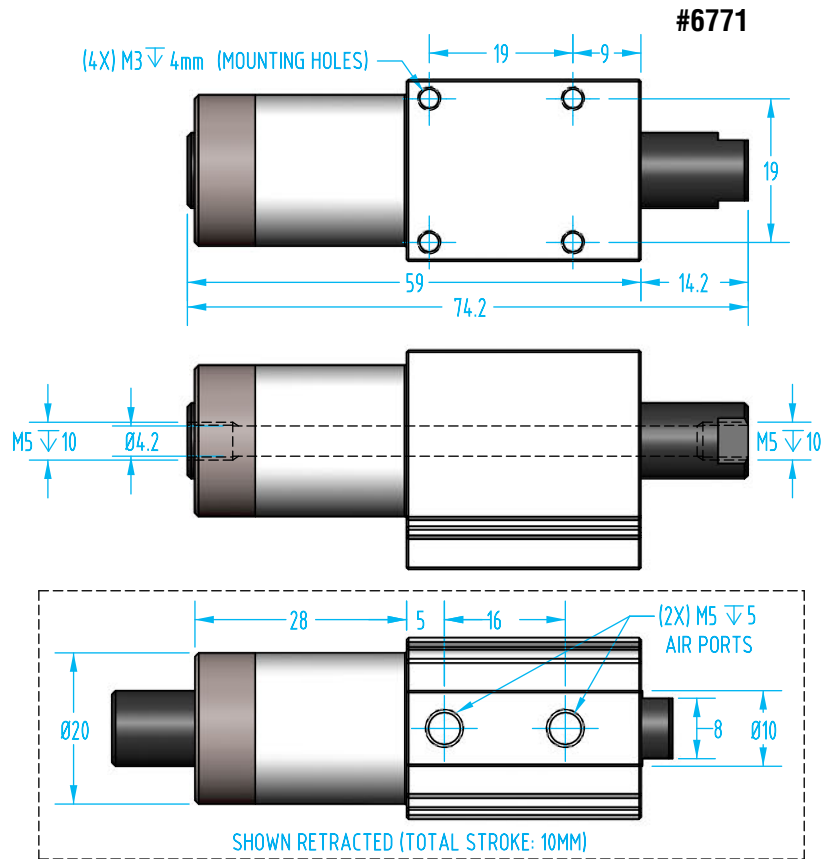
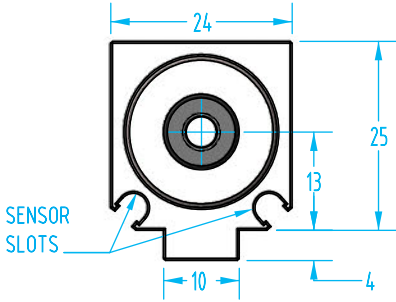
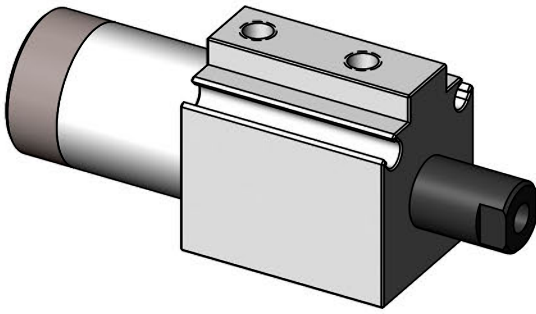


Non-rotating



Vacuum Cylinder – OFL

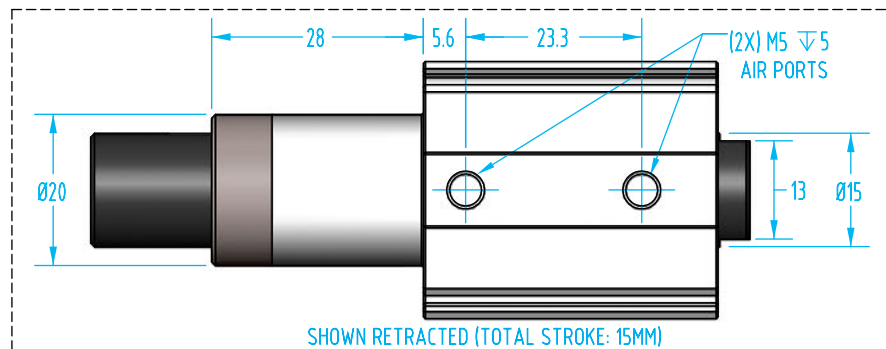
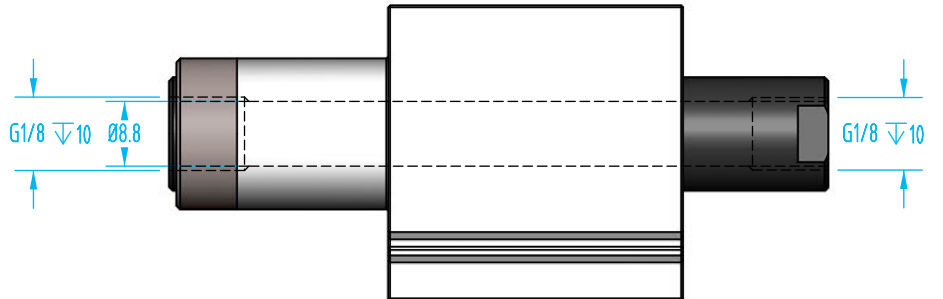
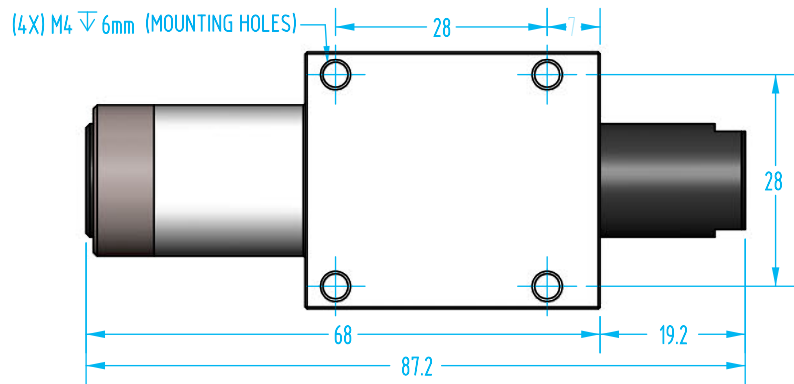
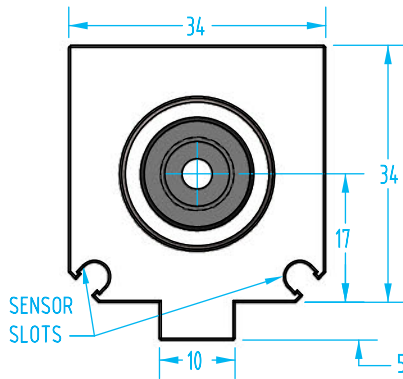
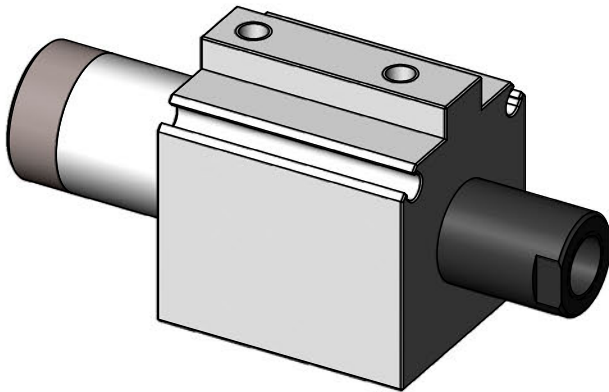
(Dimensioned drawings shown full scale)



Vacuum Cylinder – OFL

#6772

(Dimensioned drawings shown full scale)



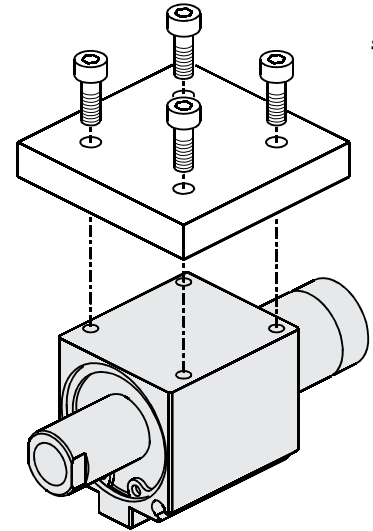
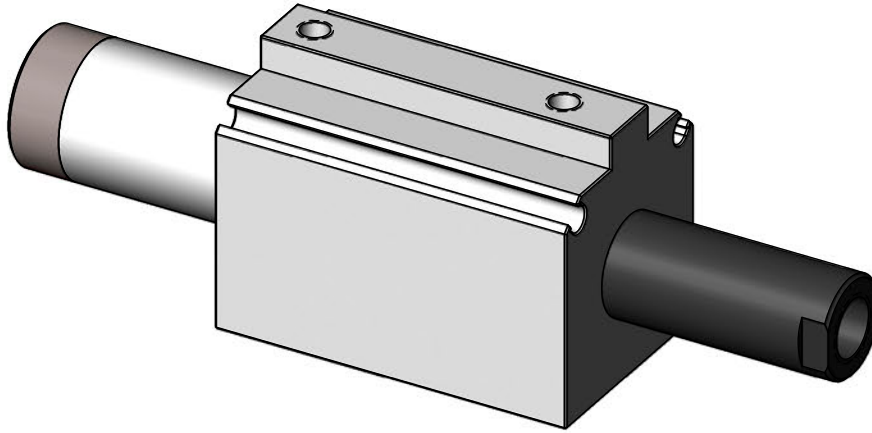
Fittings Available
on page 1043



Vacuum Cylinder – OFL

#7126

(Dimensioned drawings shown full scale)



(4X) M4 ∇ 6mm (MOUNTING HOLES)

