

SMC® Compact Cylinders with Integrated Guide Rod & Tooling Plate

- Non-rotating accuracy is ± 0.2 .
- Maximum operating pressure: 145.03 psi.
- Custom workpiece to be mounted directly to tooling plate.
- Double acting
- Standard with internal magnet for sensors.
- Standard with internal bumpers.
- Mounting hardware for GAZ, GAZ-S, & ADZ included.



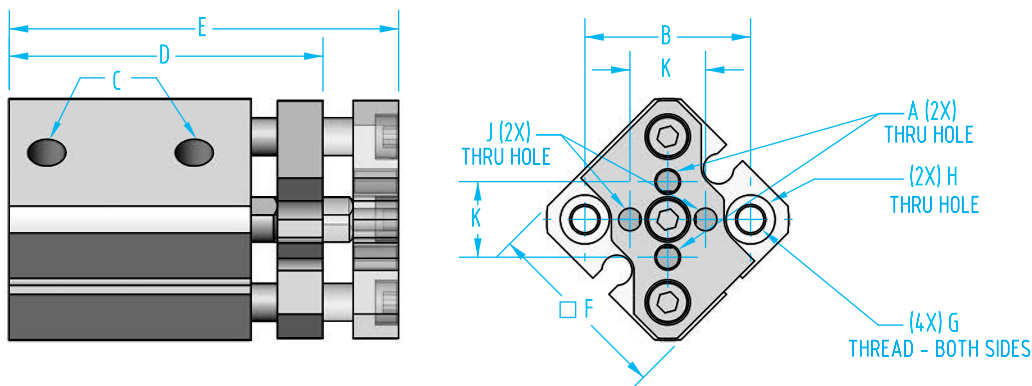
Quick#	Part#	Price	Stroke	Piston bore	Extension force*	Retraction force*	Wt.
5142	ECDQ-GR-12-10	\$45.15	10mm	12mm	17.76 lbf	13.26 lbf	59g
5143	ECDQ-GR-12-20	\$48.75	20mm				77g
5144	ECDQ-GR-12-30	\$52.35	30mm				93g
5145	ECDQ-GR-20-10	\$61.90	10mm	20mm	49.46 lbf	37.09 lbf	136g
5146	ECDQ-GR-20-20	\$65.50	20mm				168g
5147	ECDQ-GR-20-30	\$69.10	30mm				197g
5148	ECDQ-GR-20-40	\$72.70	40mm				227g
5149	ECDQ-GR-20-50	\$76.30	50mm				257g
5150	ECDQ-GR-32-10	\$88.80	10mm				32mm
5151	ECDQ-GR-32-20	\$92.60	20mm	309g			
5152	ECDQ-GR-32-30	\$96.40	30mm	356g			
5153	ECDQ-GR-32-40	\$100.20	40mm	401g			
5154	ECDQ-GR-32-50	\$104.00	50mm	448g			
5155	ECDQ-GR-32-75	\$113.50	75mm	564g			
5156	ECDQ-GR-32-100	\$123.00	100mm	680g			

Sensors

*Note: Force at 100psi (6.8 bar)

Quick#	Part#	Price	Description
5430	D-M9PL	\$33.70	PNP, Straight with lead, 3m long
2412	D-M9NL	\$33.70	NPN, Straight with lead, 3m long
5497	D-M9P SACP	\$42.06	PNP, Straight with M8 connector, 0.5m long
5498	D-M9N SACP	\$42.06	NPN, Straight with M8 connector, 0.5m long

#5142-5144

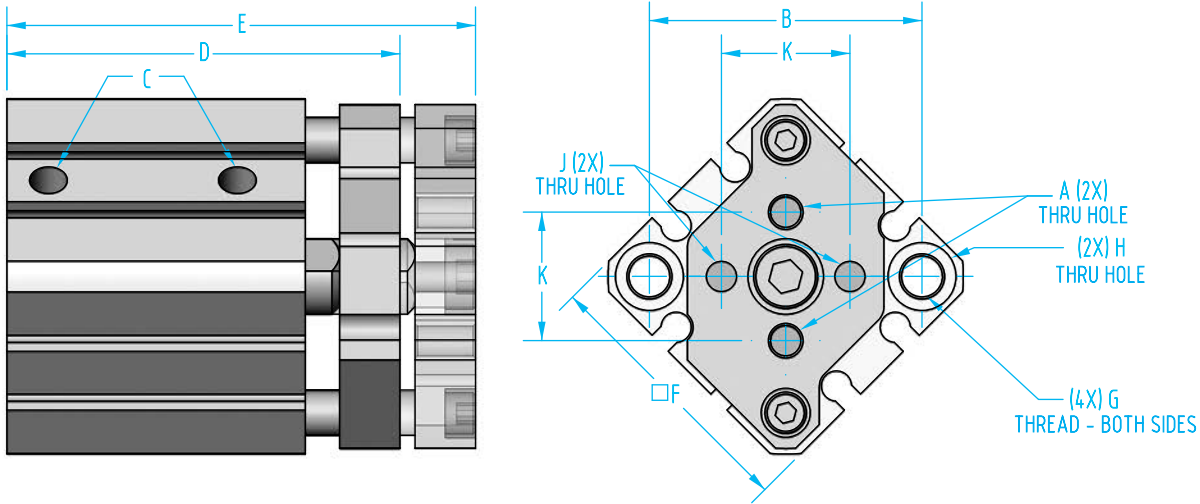


Compact Cylinders with Integrated Guide Rod & Tooling Plate - 12mm Bore

Quick#	Part#	A	B	C	D	E	F	G	H	J	K
5142	ECDQ-GR-12-10	M3 x0.5	22	M5	41.5	51.5	25	M4 ∇ 7	3.5	3 $\frac{+0.2}{0}$	10
5143	ECDQ-GR-12-20				51.5	71.5					
5144	ECDQ-GR-12-30				61.5	91.5					

SMC Compact Cylinders with Integrated Guide Rod & Tooling Plate

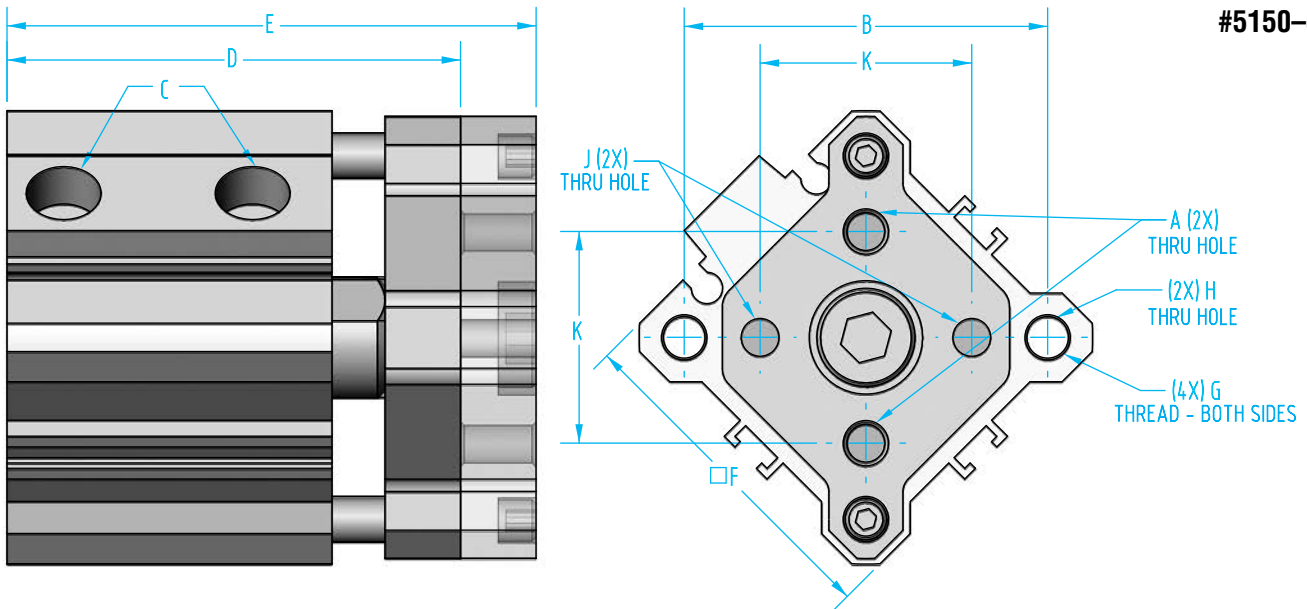
#5145-5149



Compact Cylinders with Integrated Guide Rod & Tooling Plate - 20mm Bore

Quick#	Part#	A	B	C	D	E	F	G	H	J	K
5145	ECDQ-GR-20-10	M4 x0.7	36	M5	52	62	36	M6T10	5.4	4 ^{+0.2} / ₀	17
5146	ECDQ-GR-20-20				62	82					
5147	ECDQ-GR-20-30				72	102					
5148	ECDQ-GR-20-40				82	122					
5149	ECDQ-GR-20-50				92	142					

#5150-5156



Compact Cylinders with Integrated Guide Rod & Tooling Plate - 32mm Bore

Quick#	Part#	A	B	C	D	E	F	G	H	J	K
5150	ECDQ-GR-32-10	M5 x0.8	48	G1/8"	60	70	45	M6T10	5.5	5 ^{+0.2} / ₀	28
5151	ECDQ-GR-32-20				70	90					
5152	ECDQ-GR-32-30				80	110					
5153	ECDQ-GR-32-40				90	130					
5154	ECDQ-GR-32-50				100	150					
5155	ECDQ-GR-32-75				125	200					
5156	ECDQ-GR-32-100	150	250								