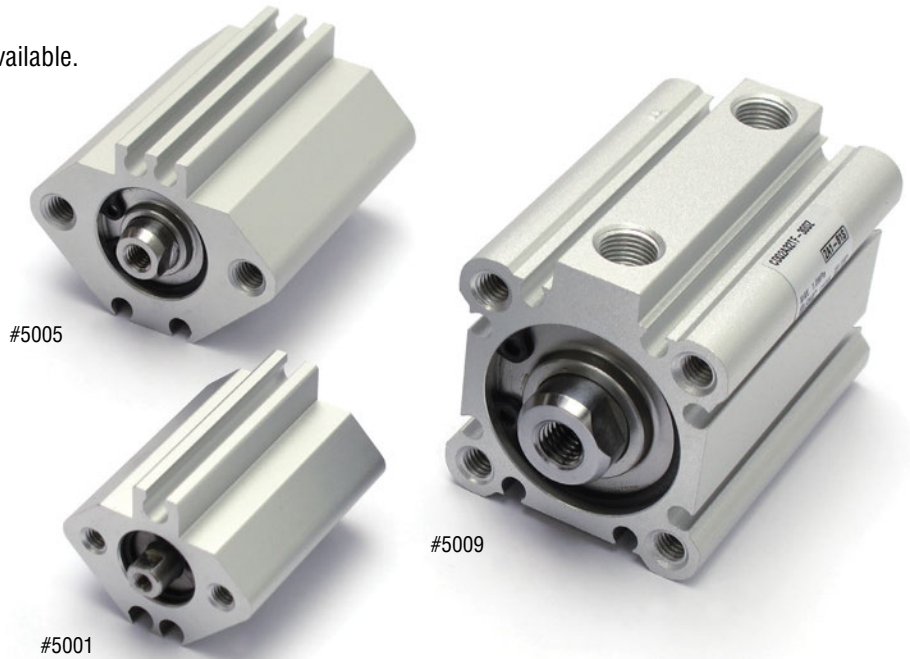


## SMC Compact Cylinders with Single Rod

- Compact, lightweight shape.
- Double acting, single acting also available.
- Maximum operating pressure: 145.03 psi.
- Standard with internal magnets for sensors.
- Standard with internal bumpers.
- Round, rotating shaft\*  
\*Non-rotating, hexagon shaft version available.
- Mounting hardware for GAZ, GAZ-S, & ADZ included.



Quick#	Part#	Price	Stroke	Piston bore	Extension force*	Retraction force*	Wt.
5001	ECDQ-12-10	\$27.00	10mm	12mm	17.75 lbf	13.26 lbf	58g
5002	ECDQ-12-20	\$27.70	20mm				68g
5003	ECDQ-12-30	\$28.40	30mm				81g
5004	ECDQ-20-10	\$30.65	10mm	20mm	49.45 lbf	37.09 lbf	113g
5005	ECDQ-20-20	\$31.35	20mm				140g
5006	ECDQ-20-30	\$32.05	30mm				158g
5007	ECDQ-32-10	\$43.65	10mm	32mm	126.56 lbf	94.86 lbf	217g
5008	ECDQ-32-20	\$44.55	20mm				240g
5009	ECDQ-32-30	\$45.45	30mm				281g
5010	ECDQ-32-50	\$47.25	50mm				362g
5011	ECDQ-32-75	\$49.50	75mm				453g
5012	ECDQ-32-100	\$51.75	100mm				536g

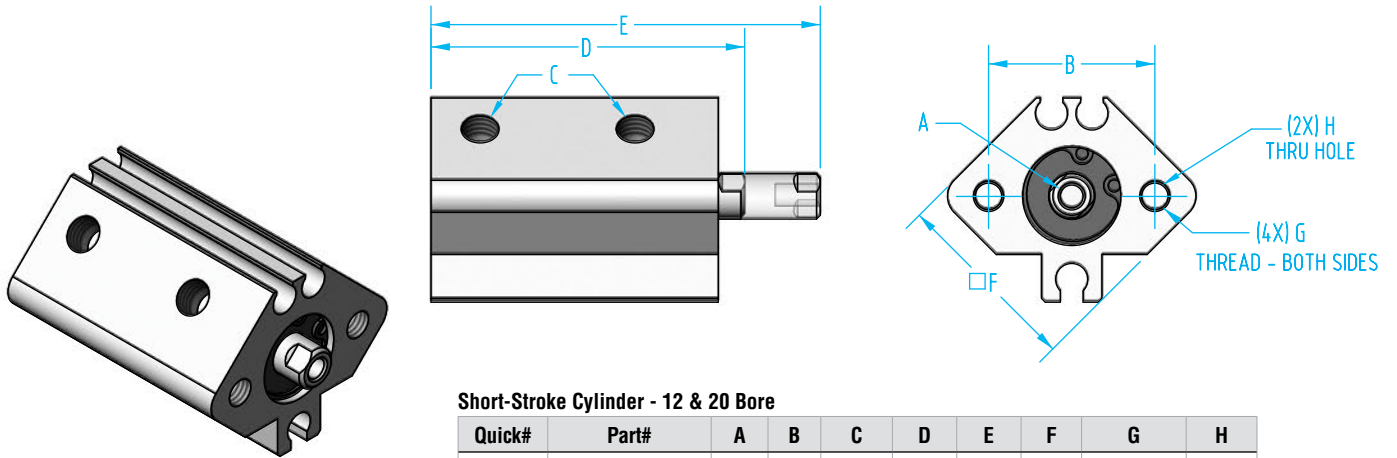
\*Note: Force at 100psi (6.8 bar)

### Sensors

Quick#	Part#	Price	Description
5430	D-M9PL	\$33.70	PNP, Straight with lead, 3m long
2412	D-M9NL	\$33.70	NPN, Straight with lead, 3m long
5497	D-M9P SAPC	\$42.06	PNP, Straight with M8 connector, 0.5m long
5498	D-M9N SAPC	\$42.06	NPN, Straight with M8 connector, 0.5m long

SMC Compact Cylinders with Single Rod

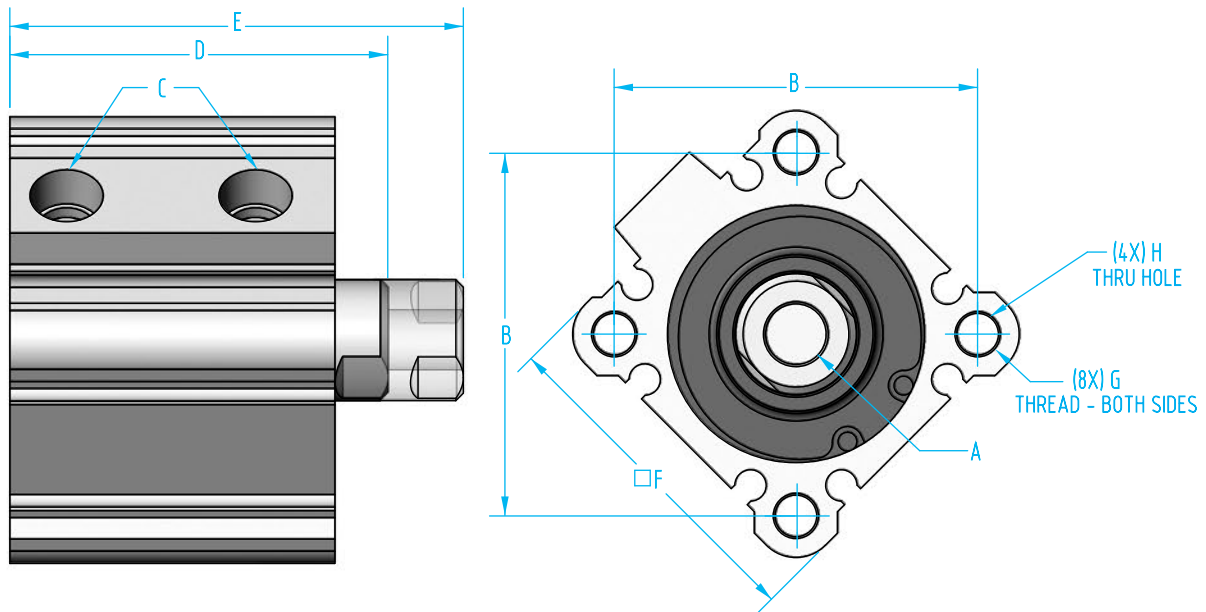
#5001-5006



Short-Stroke Cylinder - 12 & 20 Bore

Quick#	Part#	A	B	C	D	E	F	G	H
5001	ECDQ-12-10				41.5	51.5			
5002	ECDQ-12-20	M3	22	M5	51.5	71.5	25	M4 $\nabla$ 7	3.5
5003	ECDQ-12-30				61.5	91.5			
5004	ECDQ-20-10				46	56			
5005	ECDQ-20-20	M5	36	M5	56	76	36	M6 $\nabla$ 10	5.5
5006	ECDQ-20-30				66	96			

#5007-5012



Short-Stroke Cylinder - 32 Bore

Quick#	Part#	A	B	C	D	E	F	G	H
5007	ECDQ-32-10				50	60			
5008	ECDQ-32-20				60	80			
5009	ECDQ-32-30	M8	48	G1/8"	70	100	45	M6 $\nabla$ 10	5.5
5010	ECDQ-32-50	x1.25			90	140			
5011	ECDQ-32-75				115	190			
5012	ECDQ-32-100				140	240			