

Three-Jaw Completely Sealed Gripper – SXT

- Parallel, self-centering gripper.
- Suitable for Clean Room applications.
- Designed for use in harsh environments.
- Completely sealed, with IP67 protection class.
- Very high grip force.
- See Sensor Reference Guide on page 1010 for a complete list of compatible sensors.



Quick#	7172	7173	7174	7175
Part#	SXT2505	SXT4008	SXT5012	SXT6315
Price	\$813.00	\$978.00	\$1147.00	\$1433.00
Medium	Filtered, lubricated / non-lubricated compressed air			
Operating pressure range	36–116 psi			
Total Opening force at 87 psi	168.6 lbf	438 lbf	708 lbf	1113 lbf
Total Closing force at 87 psi	131.4 lbf	337.2 lbf	540 lbf	810 lbf
Stroke (±0.5mm)	3x5mm	3x8mm	3x12mm	3x15mm
Opening / closing time without load	0.02s	0.02s	0.05s	0.15s
Repetition accuracy	0.05mm			
Mid-stroke detection capability	Yes, see Sensor Reference Guide on page 1010 for details.			
Weight	420g	1100g	2000g	3800g

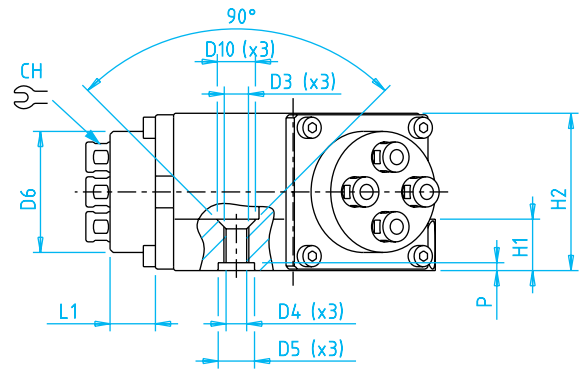
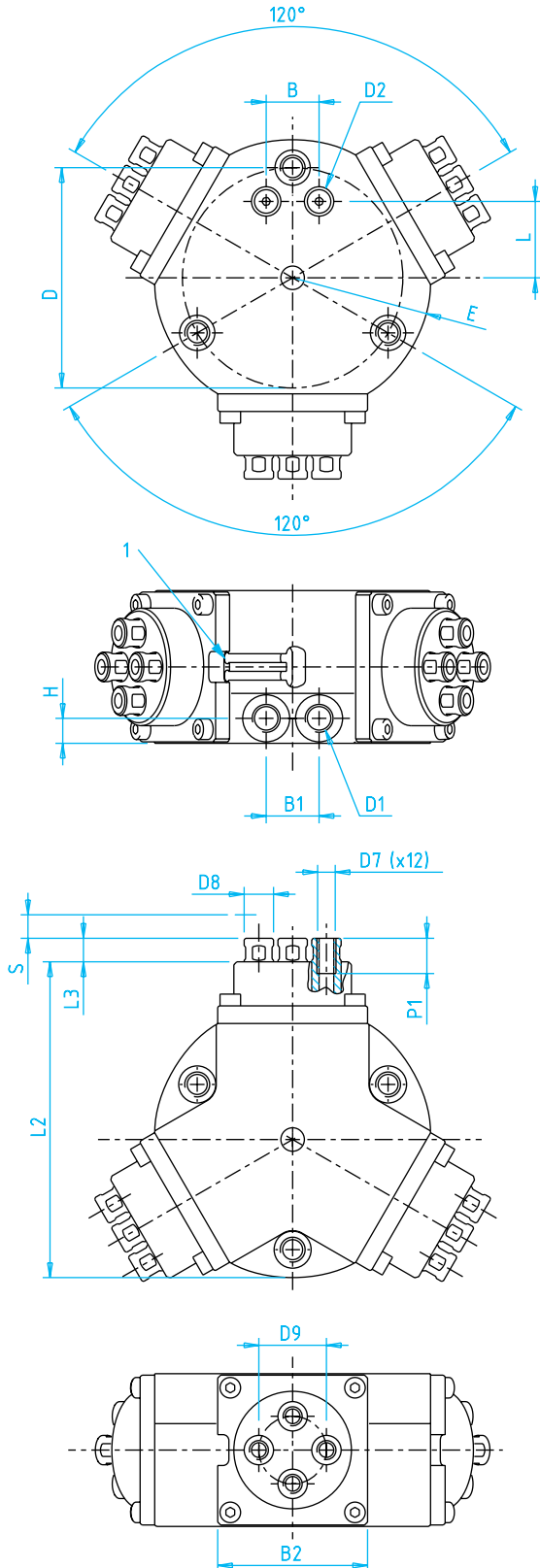


Optional Silicone Bellows to protect columns (sold individually)

Quick#	Part#	Price	For Gripper
7176	SX25S01	\$26.10	SXT2505
7177	SX40S01	\$27.35	SXT4008
7178	SX50S01	\$28.70	SXT5012
7179	SX63S01	\$30.06	SXT6315

For more information visit: www.EMlcorp.com

Three-Jaw Completely Sealed Gripper – SXT



	SXT2505	SXT4008	SXT5012	SXT6315
B	16	18	24	24
B1	16	18	24	24
B2	38	51	63	78
D	±0.02 Ø59	Ø75	Ø98	Ø114
D1	M5	G1/8	G1/8	G1/8
D2	M3	M5	M5	M5
D3	Ø5.2	Ø6.8	Ø6.8	Ø8.5
D4	M6	M8	M8	M10
D5	H8 Ø9	Ø12	Ø12	Ø14
D6	Ø27	Ø40	Ø50	Ø63
D7	M3	M6	M8	M10
D8	f7 Ø6	Ø10	Ø12	Ø14
D9	±0.02 15	Ø23	Ø33	Ø38
D10	Ø11.2	Ø12.6	Ø12.6	Ø17.3
E	R36	R47	R58	R69
H	6	8.5	10	11
H1	12	17	20	22
H2	38	52	64	80
L	24	26	38	45
L1	7.5	15	18	26
L2	78	107.5	141.5	162
L3	7.5	8	8.5	9.5
P	±0.1 2.1	2.6	2.6	2.6
P1	6	12	20	20
S (x2)	5	8	12	15
CH	5	9	11	14