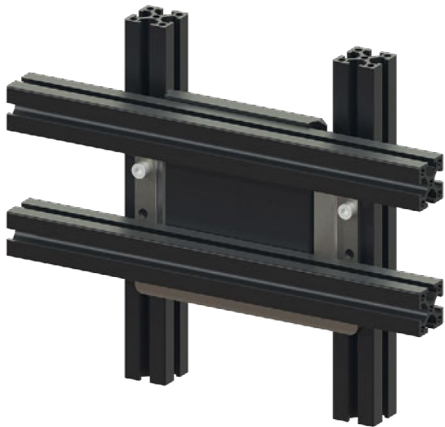
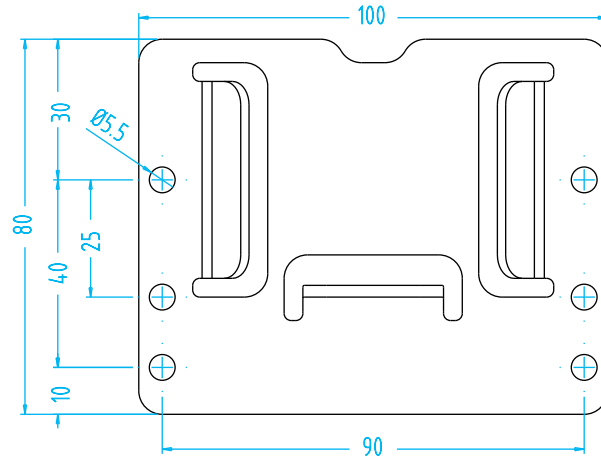


Storage Hangers for Gimatic Dovetail Quick Changers

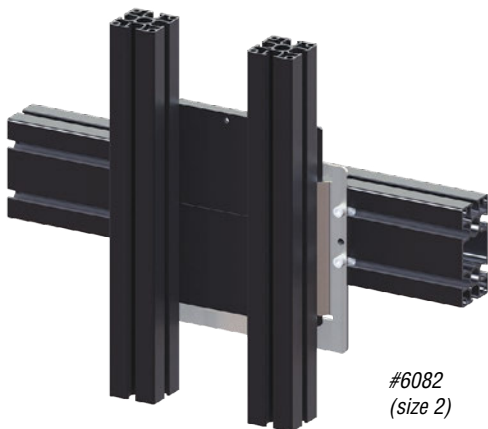
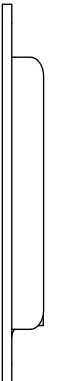
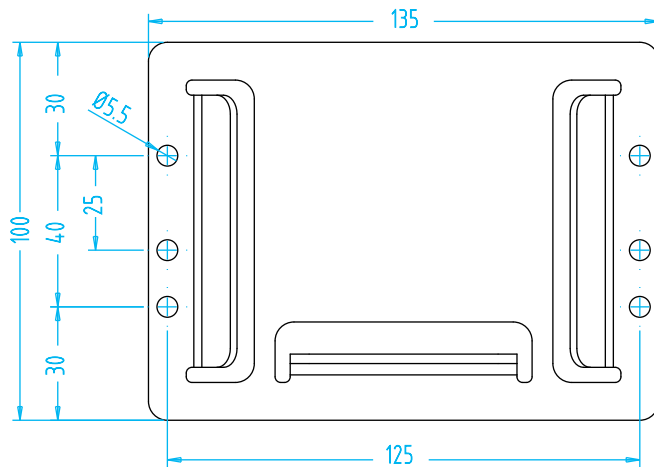
(Dimensioned drawings reduced to fit)



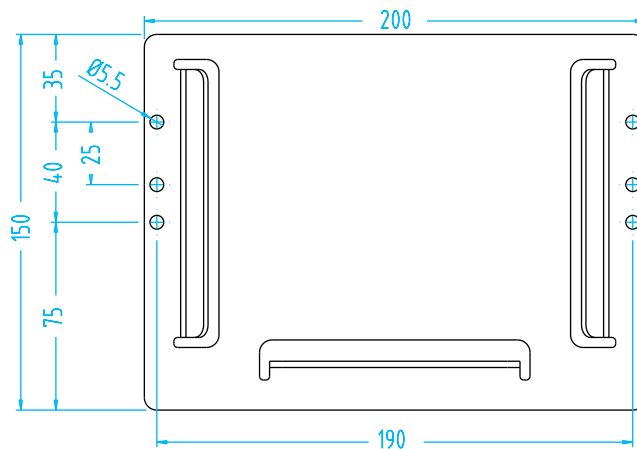
#6080
(size 0)



#6081
(size 1)



#6082
(size 2)



Dovetail Storage Hanger (For wall mounting and storage of EOATs)

Quick#	Part#	Price	Use With
6080	MFI-A344-H	\$26.14	Size 0 Gimatic MFI-A344 (60 x 60mm)
6081	MFI-A41-H	\$31.95	Size 1 Gimatic MFI-A41 (98 x 100mm)
6082	MFI-A43-H	\$43.55	Size 2 Gimatic MFI-A43 & (158 x 160mm)

Use Quick#s for easy online ordering.