

Dovetail Quick Changer – Robot Side – Size 0

(Dimensioned drawing shown full scale)

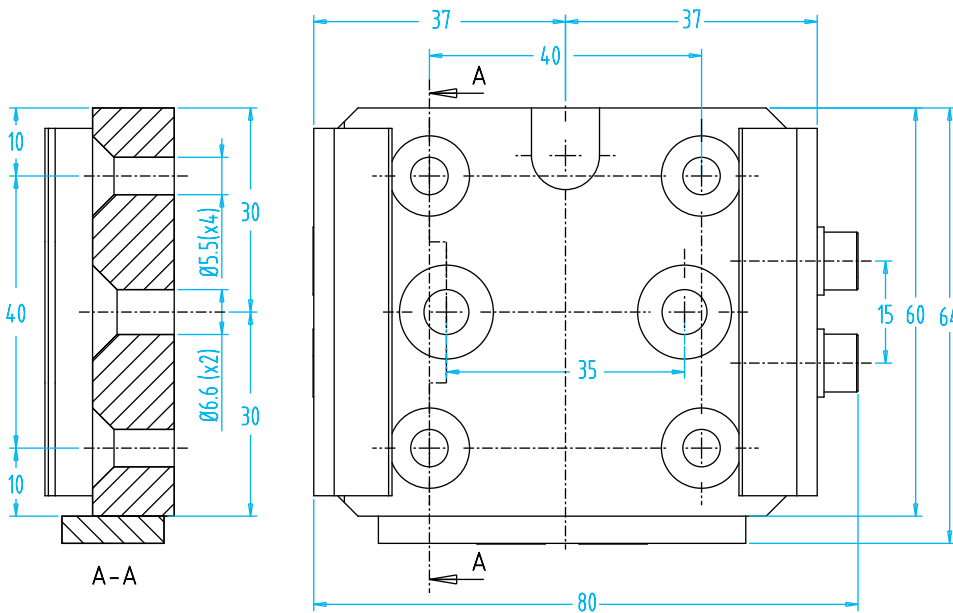
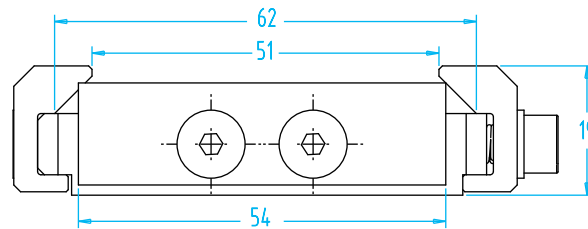


#6078
Size 0 Robot-Side
Quick Changer

Robot-Side, Size 0

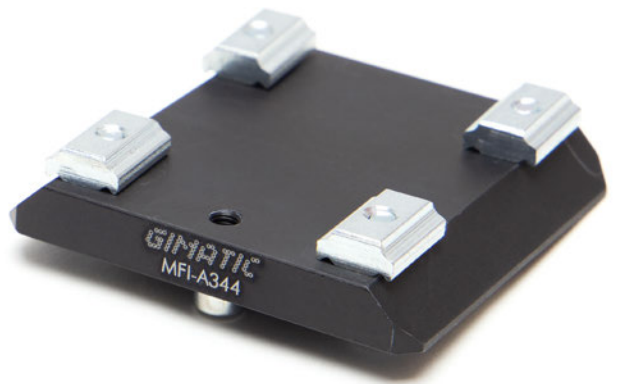
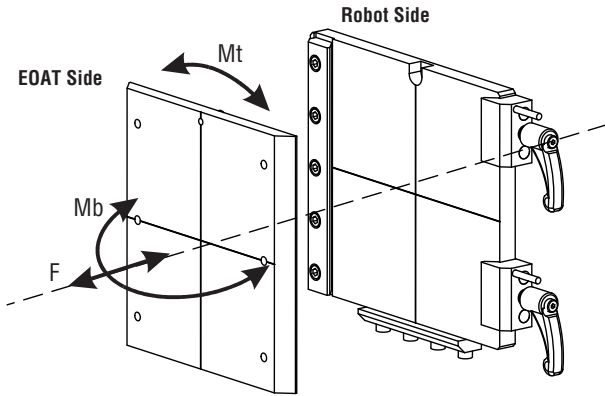
| Quick# | Part# | Description | Price | Wt. |
|--------|------------|--------------------|----------|------|
| 6078 | MFI-A343E | Robot Plate (only) | \$181.00 | 165g |
| 6080 | MFI-A344-H | Storage Hanger | \$26.14 | - |

- Suggested payload: 6.6 lbs.



Dovetail Mounting Plate – EOAT Side – Size 0

(Dimensioned drawing shown full scale)

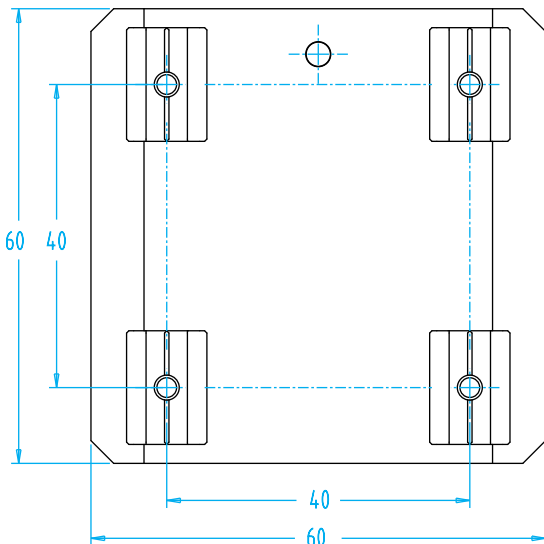
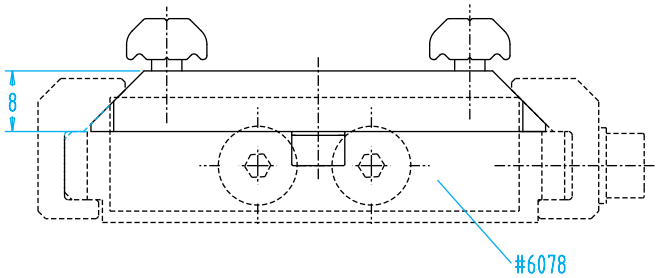


| Specifications for Size 0 Dovetail Quick Changer | |
|--|-------------------------------|
| Maximum Air Pressure | 6 bar (87psi) |
| Safety Loads: | |
| F 13.5 lbf. | Mt 6.6 ft-lbs. Mb 4.4 ft-lbs. |

F= Axial Load Limit Mt= Torque Moment Limit
Mb= Bending Moment Limit

EOAT-Side, Size 0

| Quick# | Part# | Price | Wt. |
|--------|----------|---------|-----|
| 6079 | MFI-A344 | \$19.76 | 65g |



Application Example

