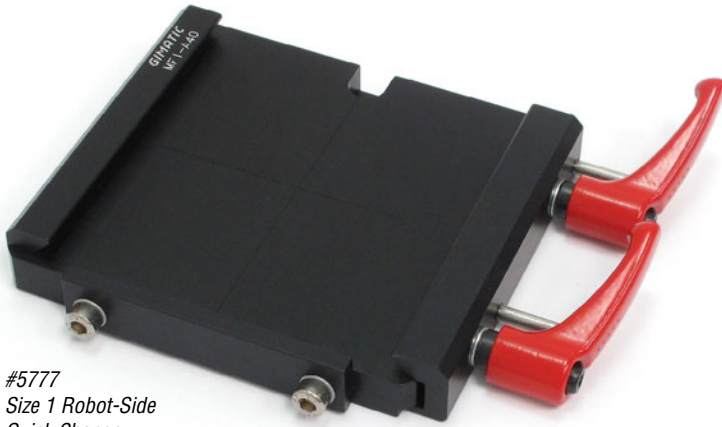


# Dovetail Quick Changer – Robot Side – Size 1

(Dimensioned drawing reduced to fit)



#5777  
Size 1 Robot-Side  
Quick Changer



#5779

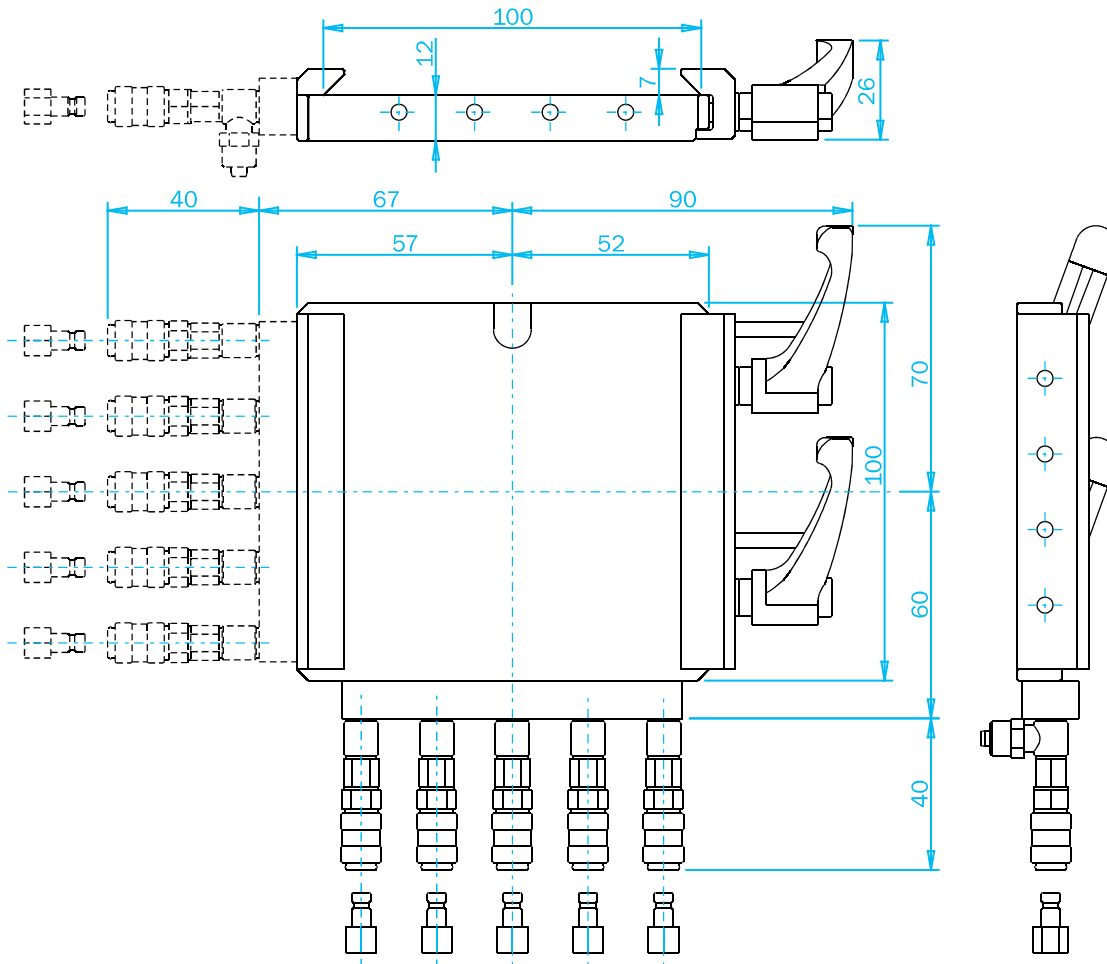


#5780

**Robot-Side, Size 1**

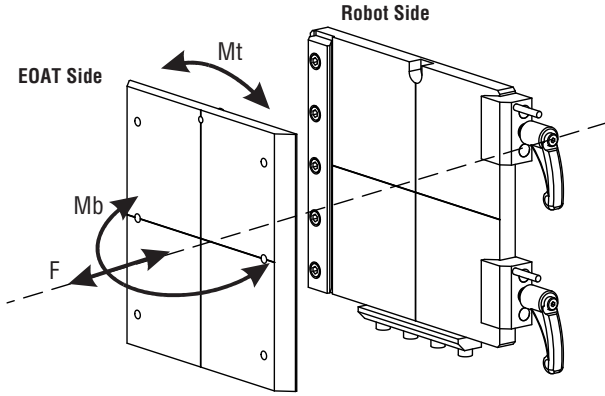
Quick#	Part#	Description	Price	Wt.
5777	MFI-A40	Robot Plate (only)	\$327.00	500g
5778	MFI-A130	Robot Plate with fittings	\$411.00	620g
5779	MFI-A133	Fittings bar	\$118.00	140g
5780	MFI-A135	Nipples for EOAT	\$10.34 (Quantity: 5)	17g
6081	MFI-A41-H	Storage Hanger	\$31.95	-

- Suggested payload: 22 lbs.



## Dovetail Mounting Plate – EOAT Side – Size 1

(Dimensioned drawing reduced to fit)



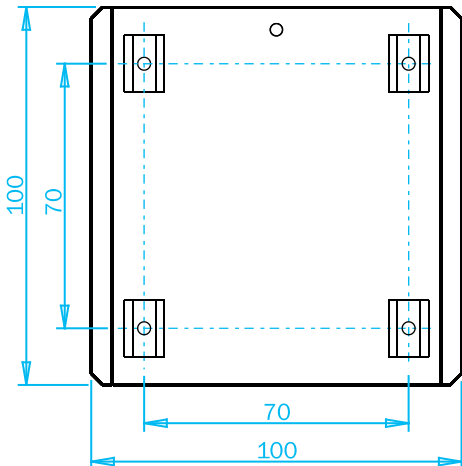
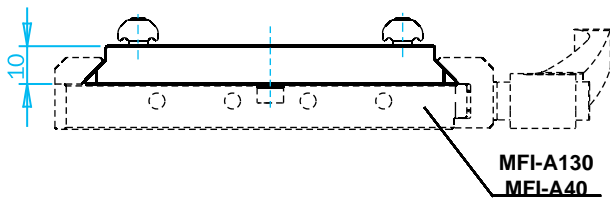
Specifications for Size 1 Dovetail Quick Changer	
Maximum Air Pressure	6 bar (87psi)
<b>Safety Loads:</b>	
F 45 lbf.	Mt 33.2 ft-lbs. Mb 22.1 ft-lbs.

F= Axial Load Limit Mt= Torque Moment Limit  
Mb= Bending Moment Limit



EOAT-Side, Size 1

Quick#	Part#	Price	Wt.
5781	MFI-A41	\$27.04	270g



### Application Example

