

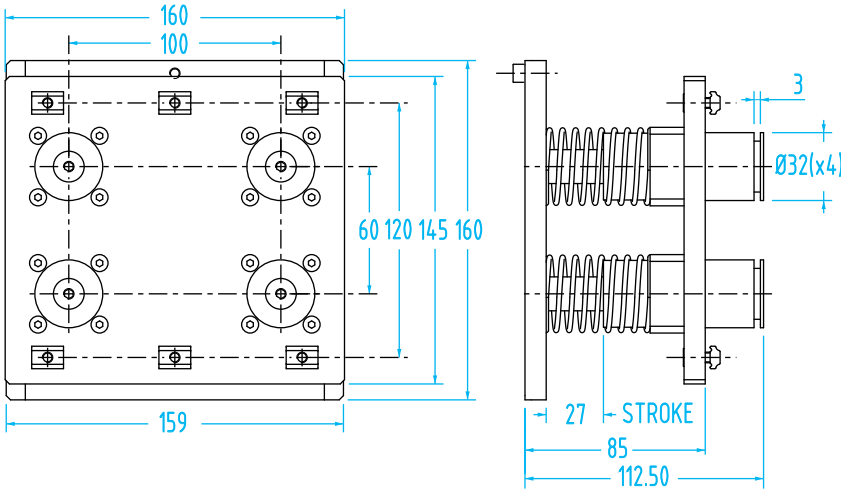
Dovetail EOAT Side Mounting Plates – with Springs

NEW

EOAT-Side with Hard Springs

Quick#	Part#	Price	Wt.
7648	SQM160-B	\$617.00	2634g

Note: Includes mounting hardware

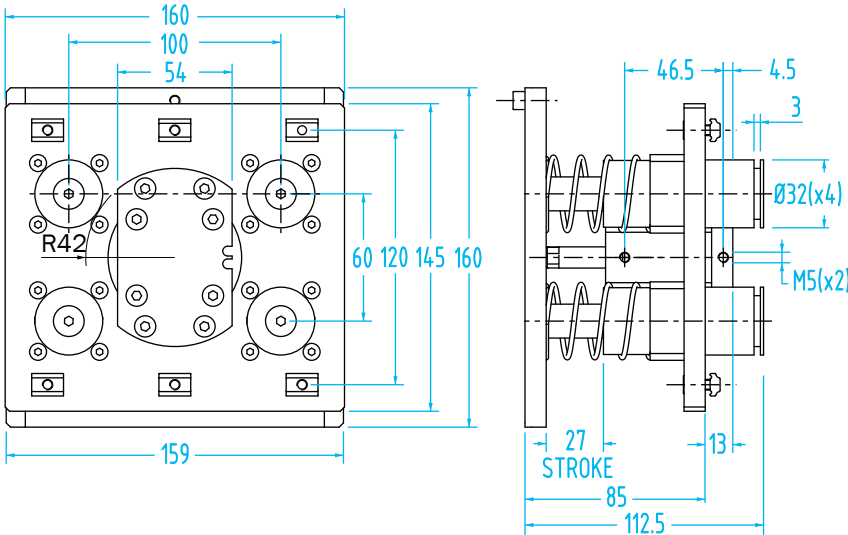


NEW

EOAT-Side with Soft Springs and Cylinder

Quick#	Part#	Price	Wt.
7649	SQP160-B	\$630.00	2898g

Note: Includes mounting hardware
See page 1002 for optional C-Slot sensors



- Easily add compliance to your EOAT with two different spring options.
- Gripper side SQM160-B with hard springs.
- Gripper side SQP160-B with soft springs and double-acting cylinder and is intended for locking in fully extended or compressed positions. Cylinder bore: 40mm with a force of 754N at 6bar.
- Plate can be rotated 90° [1].
- Compatible with Size 2 Dovetail QC's and, Large (150mm / 160mm) Round QC's.
- Payload: 44lbs (20kg); Mt: 120Nm; Mb: 80Nm.

