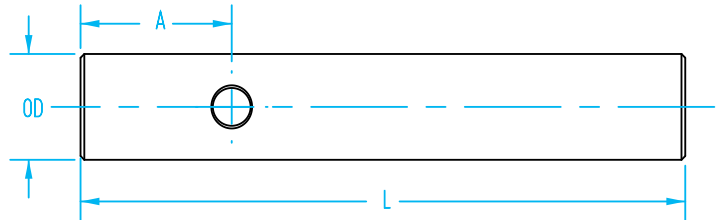
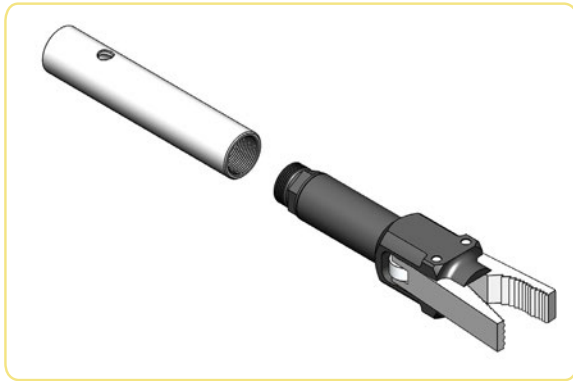
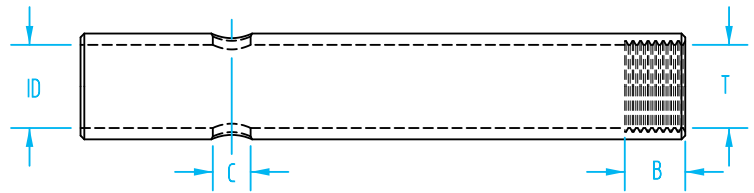


Extension Tube (not for Vacuum)



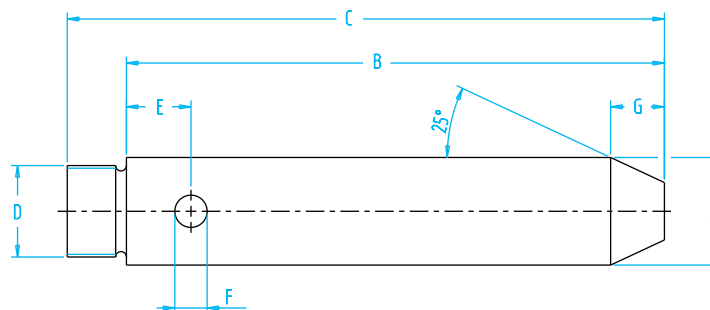
Extension Tube (Not for Vacuum)

Quick#	Part#	Price	OD	ID	A	B	ØC	L	T	Wt.
5993	OF10L60	\$7.64	10	7	15	8	3.5	60	M8x1	7g
5842	OF14L80	\$7.50	14	11	20	8	5	80	M12x1	10g
5843	OF20L100	\$9.72	20	16	25	12	6	100	M17x1	30g
5994	OF20L250	\$15.44	20	16	125	12	6	250	M17x1	75g
5844	OF30L120	\$12.59	30	25	30	14	8	120	M27x1	65g
5995	OF30L250	\$19.60	30	25	125	14	8	250	M27x1	145g

Use Quick#s for easy online ordering.

Centering Pin

- Finger stops found on pages 526–528 can be used with centering pins to help position a part.



Centering Pin

Quick#	Part#	Price	ØA	B	C	D	E	ØF	G	Wt
7447	MFI-A235	\$17.58	10	60	68	M8x1	6	3.5	5	7g
7448	MFI-A236	\$18.62	14	80	88	M12x1	8	5	7	20g
7449	MFI-A237	\$19.66	20	100	111	M17x1	12	6	10	45g
7450	MFI-A238	\$20.70	30	100	113	M27x1	15	8	14	104g