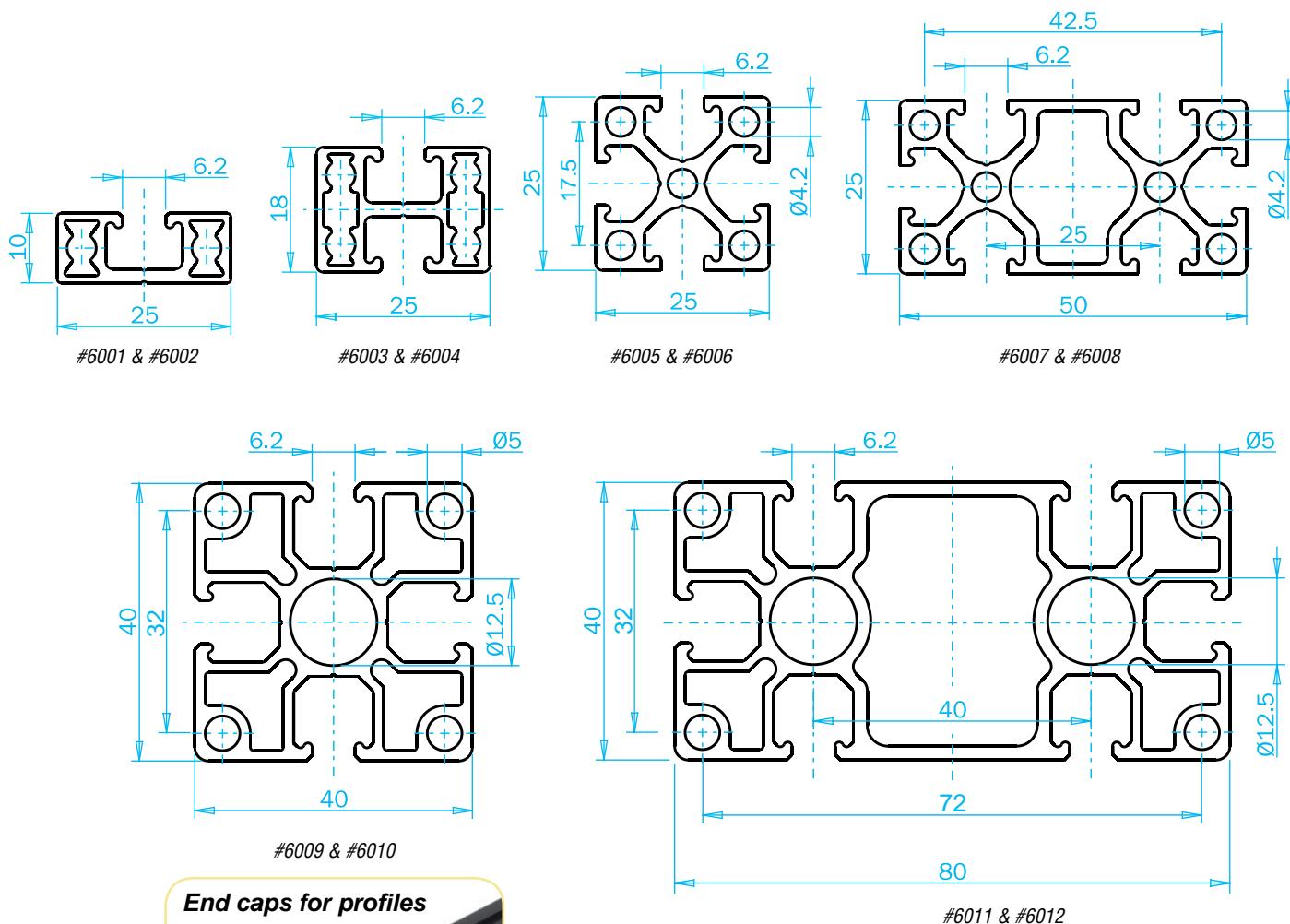


Framing Profile

(Dimensioned drawings shown at full scale)



Save on Shipping Costs!
Order 1-meter profiles to save on shipping costs. (2-meter profiles ship oversized and will cost approximately 2½ times as much to ship compared to 1-meter profiles.)

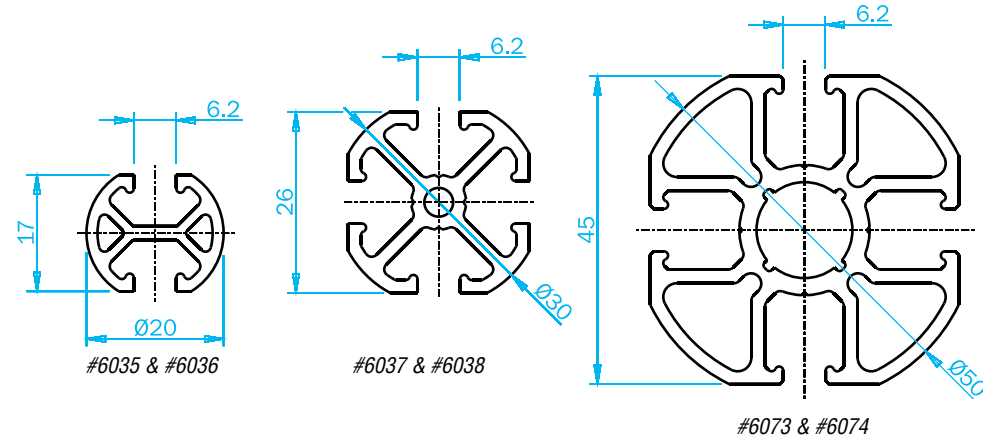
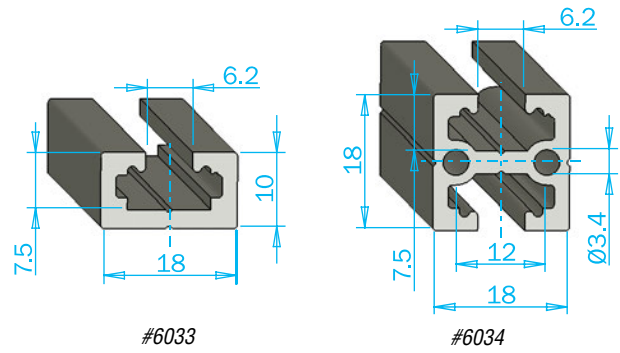
Profile (Black Anodized)				Profile (Clear Anodized)				End Caps (10 pieces per bag)			
Quick#	Part#	Price	Length	Quick#	Part#	Price	Length	Wt.	Quick#	Part#	Price
6001	EMF-2510-1000	\$6.19	1m	-	Contact EMI			280g	6013	MFI-A27	\$5.09
6002	EMF-2510-2000	\$10.26	2m	-				560g	6013	MFI-A27	\$5.09
6003	EMF-2518-1000	\$7.10	1m	-				400g	6014	MFI-A28	\$5.09
6004	EMF-2518-2000	\$12.21	2m	-				800g	6014	MFI-A28	\$5.09
6005	EMF-2525-1000	\$8.59	1m	6045	EMB-2525-1000	\$8.59	1m	610g	6015	MFI-A21	\$5.09
6006	EMF-2525-2000	\$16.52	2m	6046	EMB-2525-2000	\$16.52	2m	1220g	6015	MFI-A21	\$5.09
6007	EMF-5025-1000	\$15.26	1m	6047	EMB-5025-1000	\$15.26	1m	1040g	6016	MFI-A22	\$7.33
6008	EMF-5025-2000	\$29.64	2m	6048	EMB-5025-2000	\$29.64	2m	2080g	6016	MFI-A22	\$7.33
6009	EMF-4040-1000	\$16.37	1m	6049	EMB-4040-1000	\$16.37	1m	1300g	6017	MFI-A25	\$10.70
6010	EMF-4040-2000	\$32.67	2m	6050	EMB-4040-2000	\$32.67	2m	2600g	6017	MFI-A25	\$10.70
6011	EMF-8040-1000	\$25.69	1m	6052	EMB-8040-1000	\$25.69	1m	2180g	6018	MFI-A26	\$14.29
6012	EMF-8040-2000	\$51.81	2m	6053	EMB-8040-2000	\$51.81	2m	4360g	6018	MFI-A26	\$14.29

Framing Profile

(Dimensioned drawings shown at full scale)

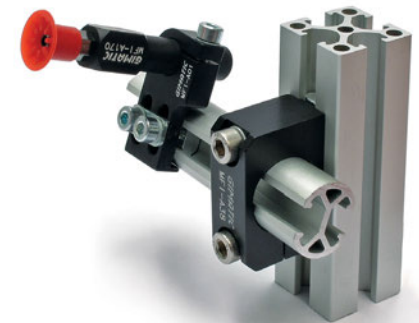
Light Profile (Black Anodized)

Quick#	Part#	Price	Length	Wt.
6033	EMF-1018-1000	\$7.07	1m	250g
6034	EMF-1818-1000	\$10.87	1m	380g
End Caps (10 per bag)		For Profile		
6039	MFI-A24	\$4.60	EMF-1018	2g
6040	MFI-A23	\$6.43	EMF-1818	4g



Slotted Round Profile (Silver Anodized)

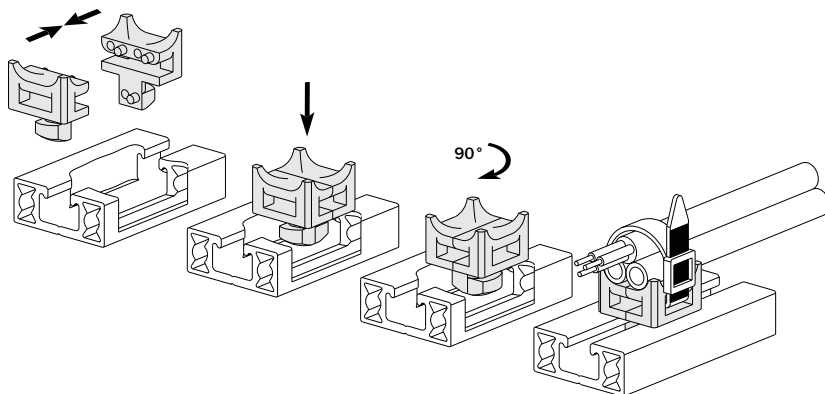
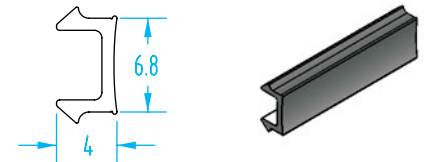
Quick#	Part#	Price	Length	Profile Ø	Wt.
6035	EMB-2017-1000	\$9.83	1m	20mm	340g
6036	EMB-2017-2000	\$18.10	2m		680g
6037	EMB-3026-1000	\$19.40	1m	30mm	700g
6038	EMB-3026-2000	\$32.51	2m		1400g
6073	EMB-5045-1000	\$32.76	1m	50mm	1665g
6074	EMB-5045-2000	\$56.89	2m		3330g
End Caps (10 per bag)		For Profile Ø			
6054	MFP-K29	\$9.26	EMB-2017 - Ø20mm		2g
6055	MFP-K28	\$9.46	EMB-3026 - Ø30mm		4g
6072	MFP-K50	\$10.19	EMB-5045 - Ø50mm		6g



End caps for profiles
10 pieces per bag

Profile Channel Cover (Black PVC)

Quick#	Part#	Price	Dimensions
6084	PCC-1000	\$5.04	1m long, 6mm wide, Use with L, X, J



Twist-on Cable Tie Sold in packs of 10

Quick#	Part#	Price
7618	MFI-A239	\$10.27

NEW