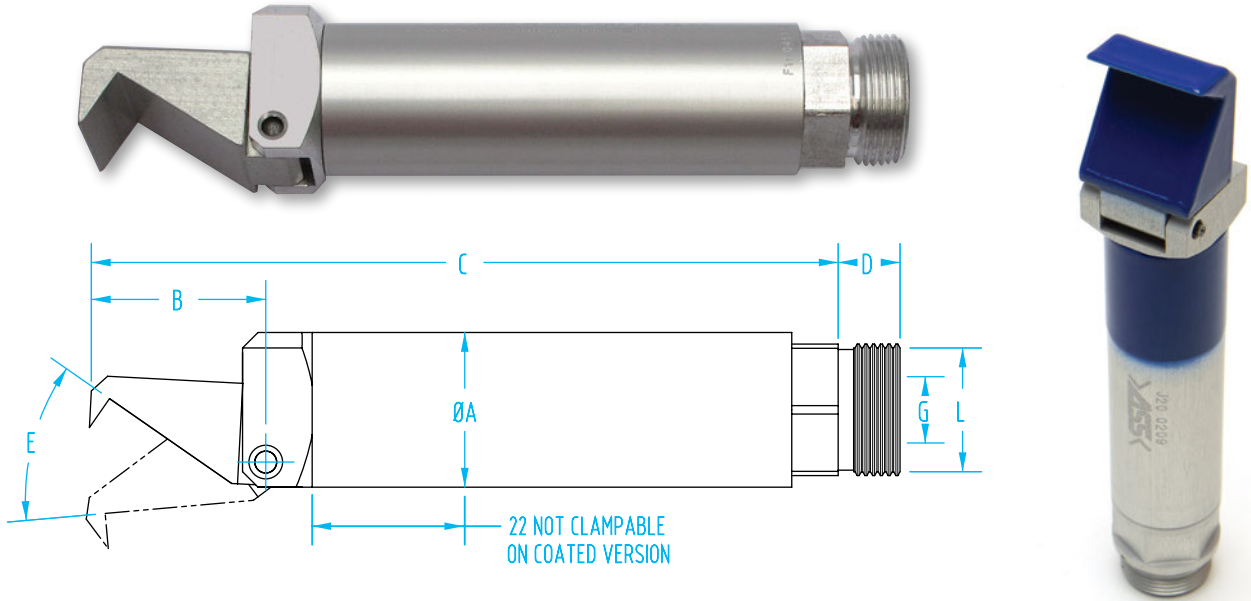


35° Gripper Fingers



35° Gripper Finger

Quick#	Part#	>ASS<#	Price	ØA	B	C	D	E	G	L	Closing force*	Wt.
3637	GRF-14-35-VA	1-451-06-00	\$248.85	14	15	64	6	35°	M5	M12x1	10 lbf	23g
3322	GRF20-35V	1-450-03-00-1	\$282.45	20	25	99	8	35°	G1/8"	M17x1	27 lbf	60g
3323	GRF30-35V	1-450-20-00-1	\$299.78	30	34	142	11	35°	G1/8"	M27x1	54 lbf	195g

*Note: Force at 87psi (6 bar)

35° Gripper Finger with high strength elastomer polyurethane coated jaw

NEW

Quick#	Part#	>ASS<#	Price	ØA	B	C	D	E	G	L	Closing force*	Wt.
3921	GRF-20-35-VA-EP	1-450-04-00-1	\$314.48	20	25	99	8	35°	G1/8"	M17x1	27 lbf	60g

Maximum continuous temperature for these gripper fingers is 194°F with a short term max temp of 266°F.

*Force at 87 psi (6 bar)

Use Quick#s for easy online ordering.

35° Gripper Finger Application

This application using the gripper finger draws the part up to the bellows vacuum cup. This reduces the shear force on the vacuum pad and allows it to maintain good vacuum seal and reduce flexing while in transport. As the gripper finger approaches the part, it is in its inactive position. Once the gripper finger is in position, it flips down to grasp the part.

