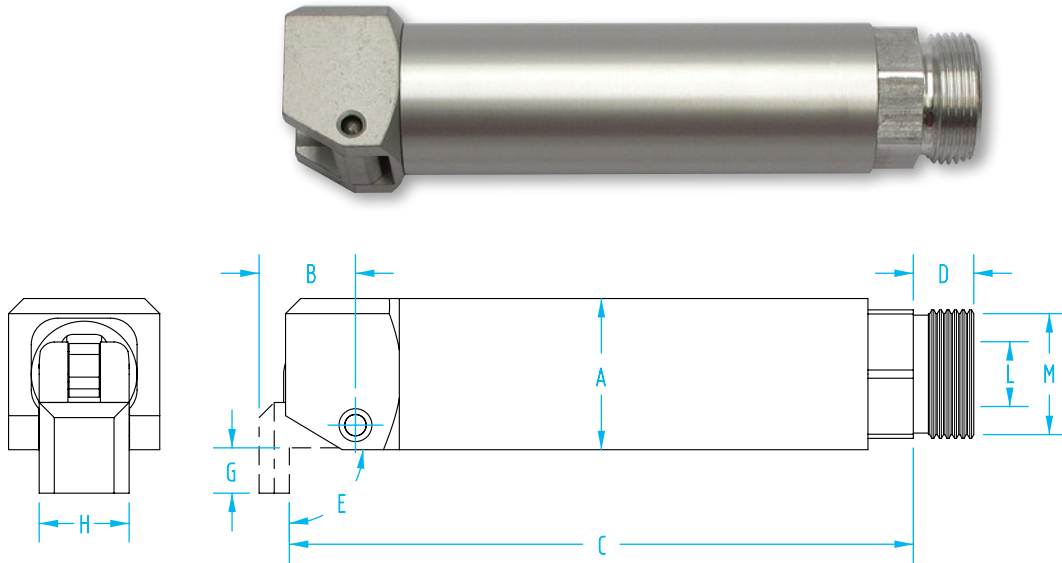


90° Gripper Fingers

- Gripper fingers work with guides, sensor bands, and extensions on page 526–529.



90° Gripper Finger

Quick#	Part#	>ASS<#	Price	ØA	B	C	D	E	G	H	L	M	Closing force*	Wt.
3638	GRF-14-90-VA	1-451-09-00	\$256.20	14	9	58	6	90°	4	10	M5	M12x1	9 lbf	22g
3324	GRF20-90V	1-450-15-00-1	\$289.80	20	12	83	8	90°	6	12	G1/8"	M17x1	22 lbf	57g
3325	GRF30-90V	1-450-29-00-1	\$311.85	30	19	124	11	90°	11	20	G1/8"	M27x1	52 lbf	194g

*Note: Force at 87psi (6 bar)

Use Quick#s for easy online ordering.

90° Gripper Finger Application

ANS gripper stop is typically used with GRF-90 gripper fingers. These applications are ideally suited for part edge gripping. It can eliminate the use of vacuum cups. Use vacuum cups on applications with heavier and larger parts.

