

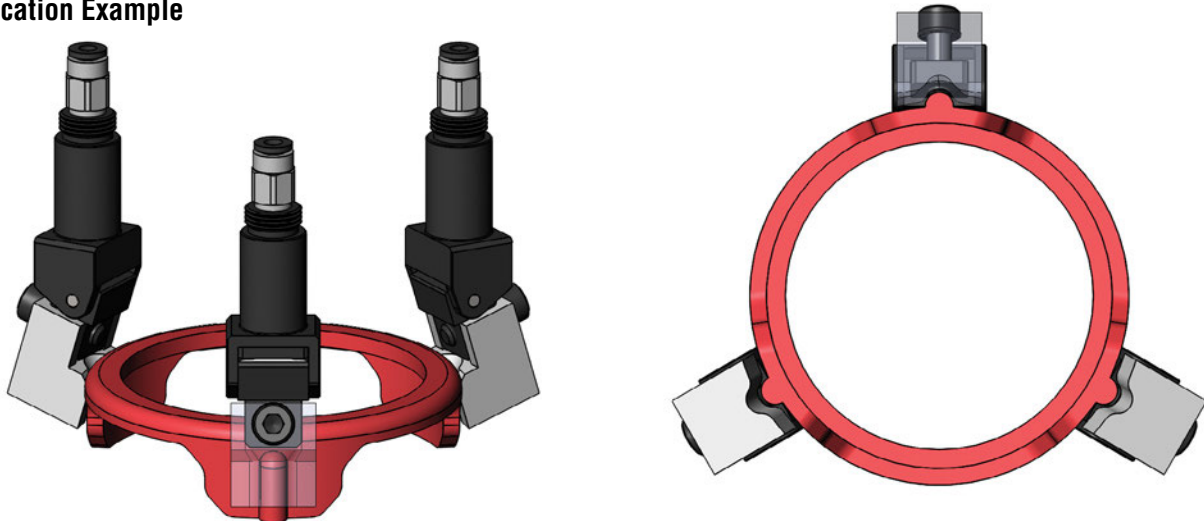
## Compact Gripper with Blank Finger – OFP

- Aluminum finger blank mounted to a clampable aluminum body.
- Narrow body design can easily be clamped and placed in tight areas.
- Custom machined or 3D printed fingers can be easily mounted.
- Single acting (spring return).
- Grippers can be equipped with optional sensors.
- Due to their lightweight design, these grippers can be considered in multi-cavity applications where payload is minimal.
- Ø14mm & Ø20mm shaft length can be extended by using a threaded extension. See page 529.



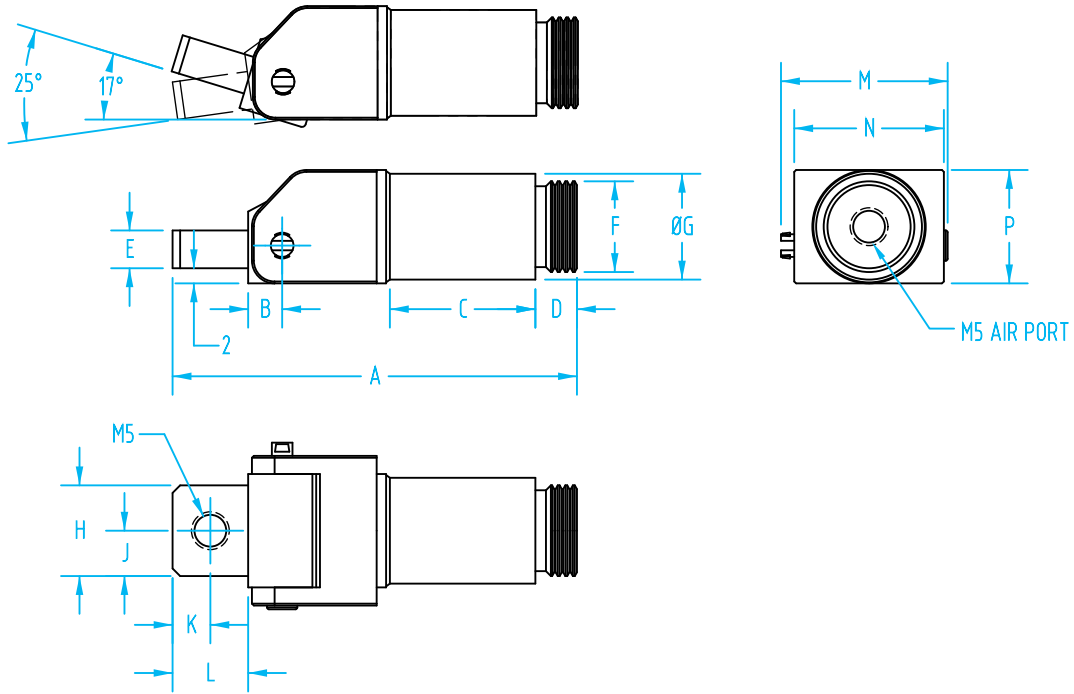
Quick#	7433	7434	7774
Part#	OFP14A-25	OFP21A-20	OFP20A-20
Price	\$79.95	\$79.95	\$79.95
Medium	Filtered, lubricated / non lubricated compressed air		
Pressure range	29–116 psi		
Temperature range of gripper	41°–140°F		
Stroke	25°	21°	21°
Closing force at 87psi	9 lbf	22 lbf	22 lbf
Weight	39g	42g	40g

### Application Example



**Compact Gripper with Blank Finger – OFP**

#7433 & 7434



Quick#	A	B	C	D	E	F	ØG	H	J	K	L	M	N	P
7433	53.5	4.5	19	5.5	5	M12x1	14	12	6	5	10	22	19.8	15
7434	64.8	7	25	8	6	M17x1	20	16	8	6	12	32.6	28	22

#7774

