

Compact Gripper Fingers / Hybrid – OFF

- Hybrid design has a plastic (Nylon) finger mounted to a clampable aluminum body.
- Narrow body design can easily be clamped and placed in tight areas.
- Integrated grip pads & rings are easily replaceable.
- These units are all single acting (spring return).
- Grippers can be equipped with optional sensors.
- Due to their lightweight design, these grippers can be considered in multi-cavity applications where payload is minimal.
- Ø14mm & Ø20mm shaft length can be extended by using a threaded extension. See page 529.



Quick#	7104	6648	6757	6756	6758
Part#	OFP14P-25	OFP21P-20	OFP21N-20	OFP21S-20	OFP21V-20
Price	\$34.95	\$34.95	\$34.95	\$34.95	\$34.95
Style	HNBR Pad	HNBR Pad	Nitrile Rings	Silicone Rings	Viton Rings
Body construction	Aluminum body - Clampable				
Medium	Filtered, lubricated / non lubricated compressed air				
Pressure range	29–116 psi				
Temperature range of gripper	41°–140°F				
Maximum temperature of rings / pads	302°F	302°F	212°F	392°F	392°F
Stroke	25°	21°			
Closing force at 87psi	9 lbf	22 lbf			
Weight	13g	33g	33g	33g	33g

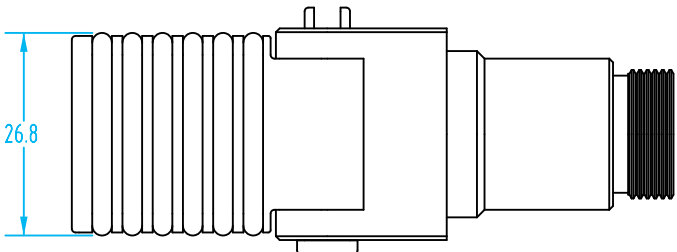
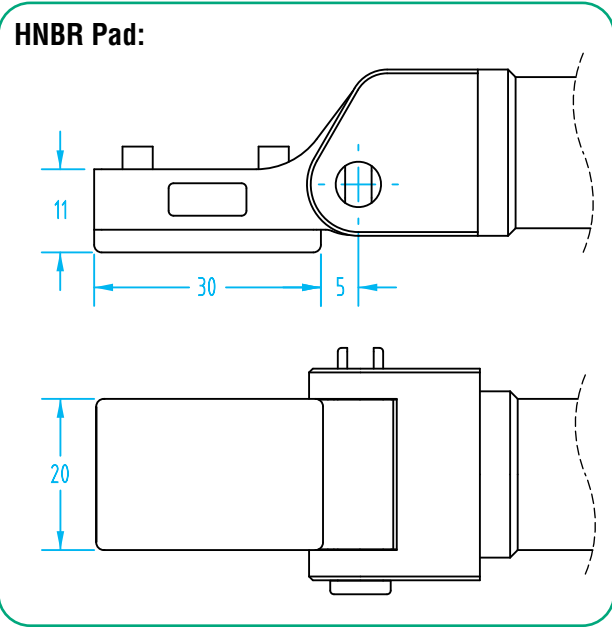
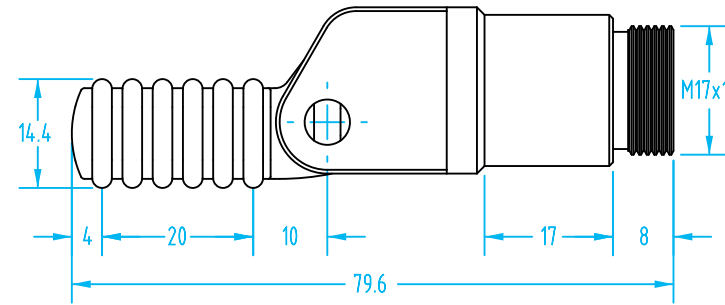
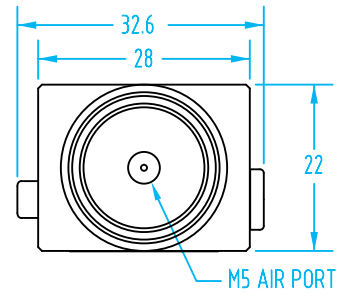
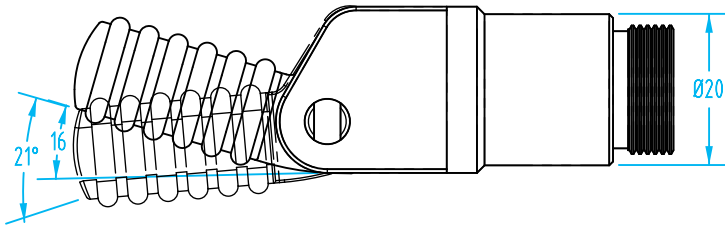
OFF - Replacement Pads & Rings

Quick#	Part#	Description	Price
7729	OFR2095 43	HNBR Pad for #7104	\$4.42
7730	OFR3095-42	HNBR Pad for #6648	\$4.68
5317	OFP20-N-20R	Nitrile Rings (set of 6)	\$7.04
5318	OFP20-S-20R	Silicone Rings (set of 6)	\$8.60
5319	OFP20-V-20R	Viton Rings (set of 6)	\$7.56

Compact Gripper Fingers / Hybrid – OFP

(Dimensioned drawings shown full scale)

OFP-21...



OFP-14...

