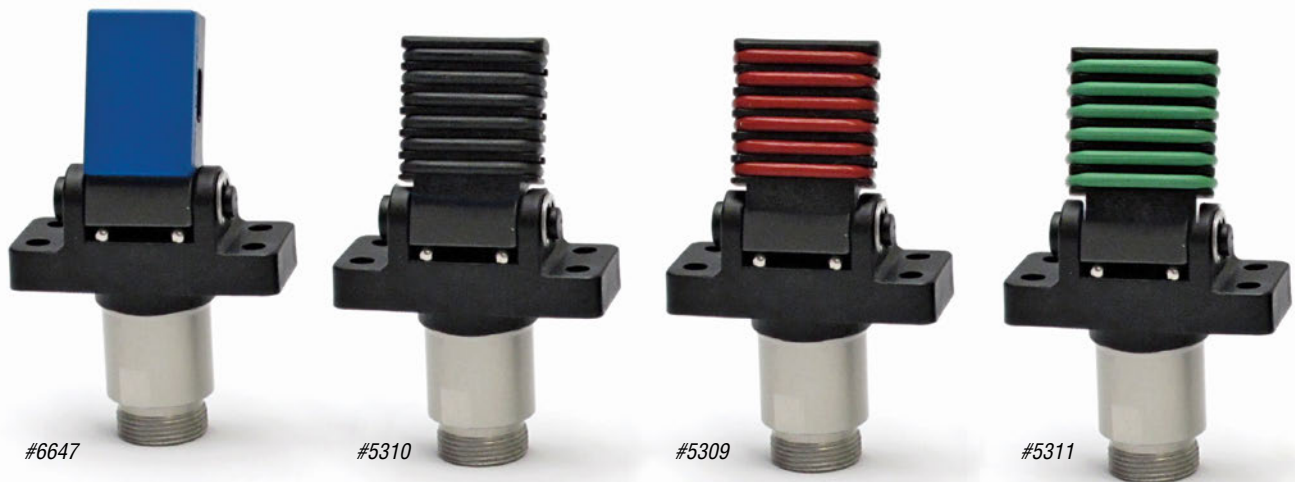


## Compact Gripper Fingers / Hybrid – OFF

- Hybrid design has a plastic (Nylon) finger mounted to a clampable aluminum body.
- Mounting holes in the plastic body make plate mounting easy.
- Integrated grip pads & rings are easily replaceable.
- These units are all single acting (spring return).
- Grippers can be equipped with optional sensors.
- Due to their lightweight design, these grippers can be considered in multi-cavity applications where payload is minimal.
- Ø20mm shaft length can be extended by using a threaded extension. See page 529.



Quick#	6647	5310	5309	5311
Part#	OFP20P-20	OFP20N-20	OFP20S-20	OFP20V-20
Price	\$34.95	\$34.95	\$34.95	\$34.95
Style	HNBR Pad	Nitrile Rings	Silicone Rings	Viton Rings
Body construction	Hybrid design - Clampable aluminum post			
Medium	Filtered, lubricated / non lubricated compressed air			
Pressure range	29–116psi			
Temperature range of gripper	41°–140°F			
Maximum temperature of rings / pads	302°F	212°F	392°F	392°F
Stroke	21°			
Closing force at 87psi	22 lbf			
Weight	39g	42g	42g	42g

### OFF - Replacement Pads & Rings

Quick#	Part#	Description	Price
7361	OFR3095-16	HNBR Pad	\$6.60
5317	OFP20-N-20R	Nitrile Rings (set of 6)	\$7.04
5318	OFP20-S-20R	Silicone Rings (set of 6)	\$8.60
5319	OFP20-V-20R	Viton Rings (set of 6)	\$7.56

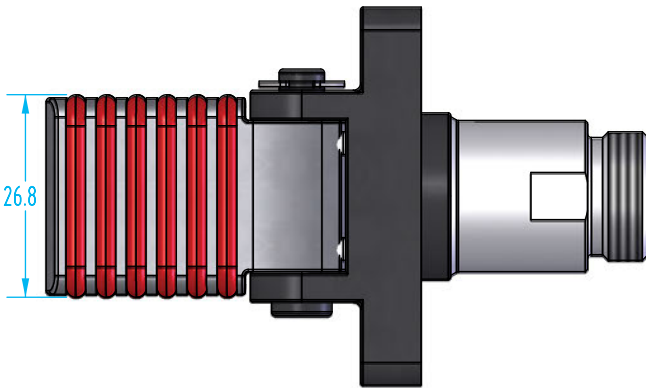
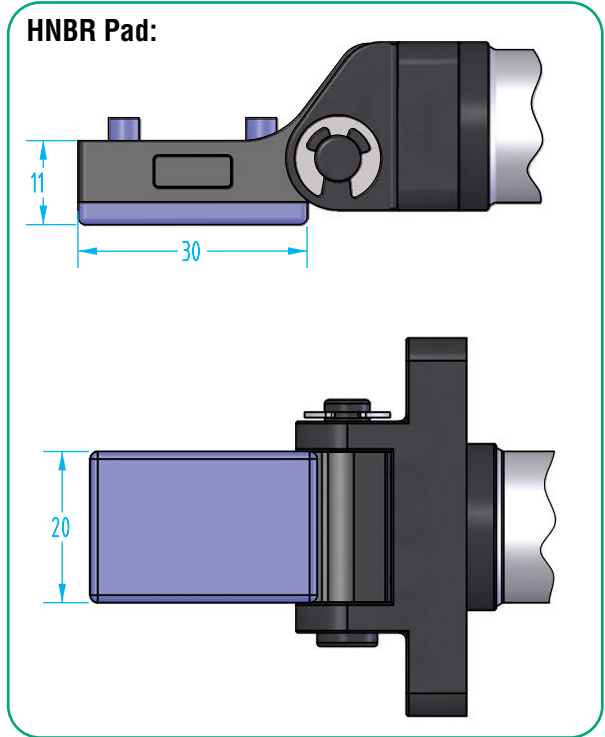
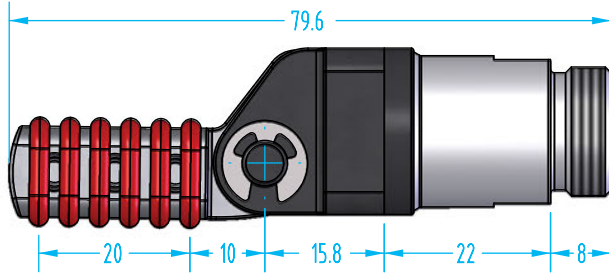
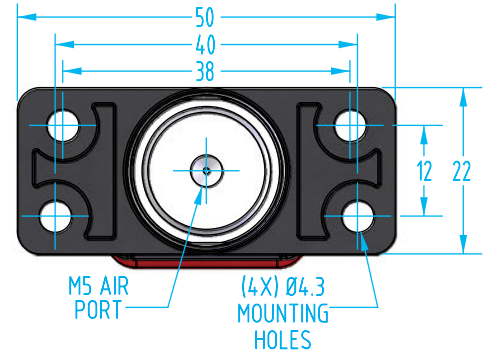
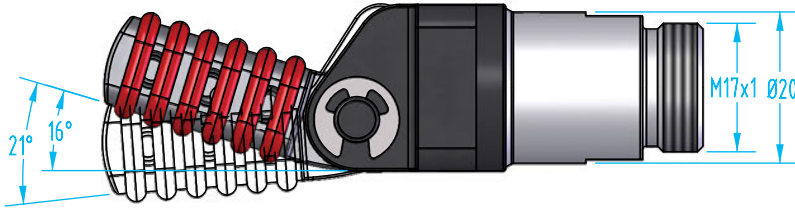
Use Quick#s for easy online ordering.



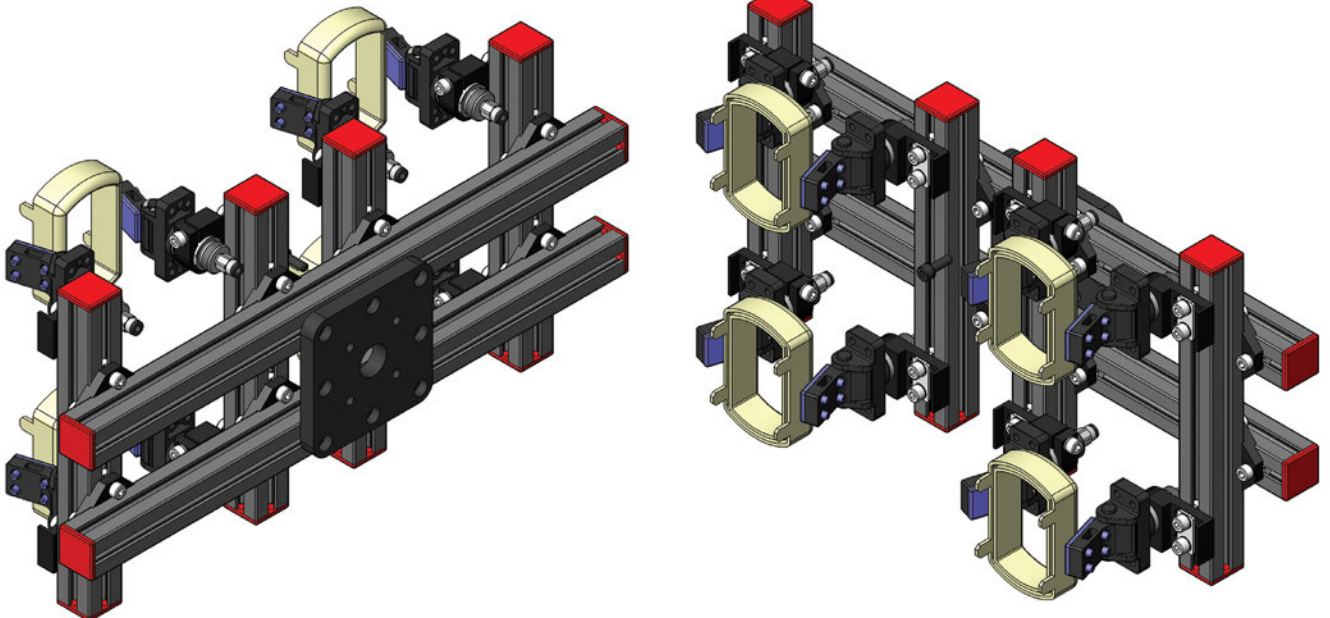
**Compact Gripper Fingers / Hybrid – OFP**

(Dimensioned drawings shown full scale)

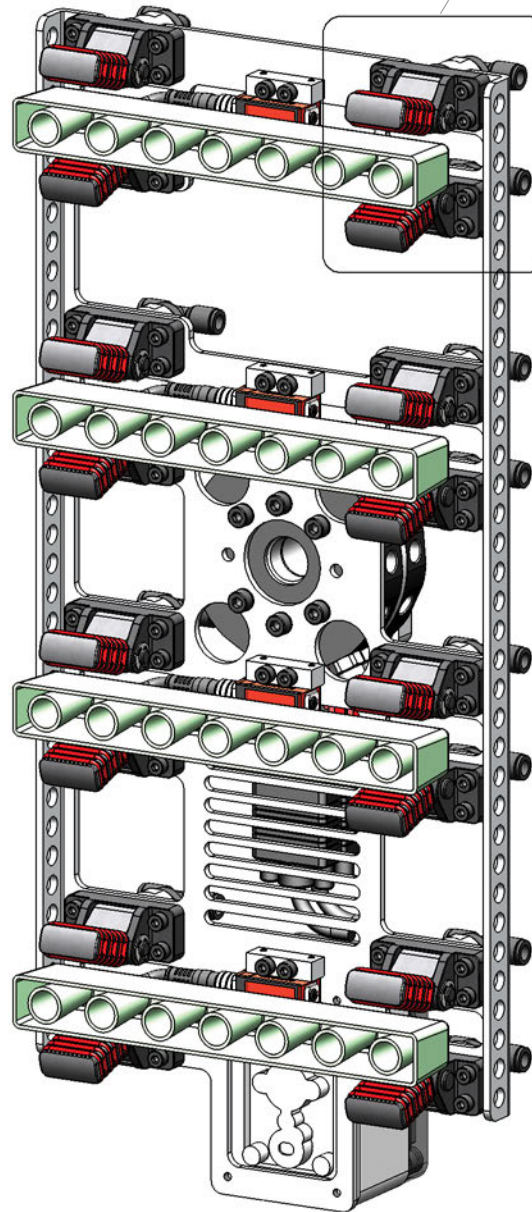
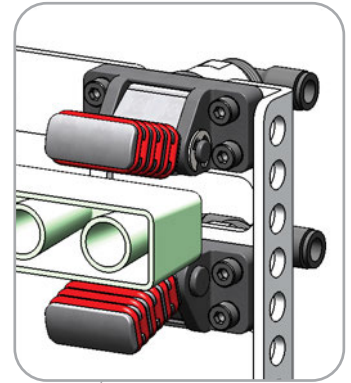
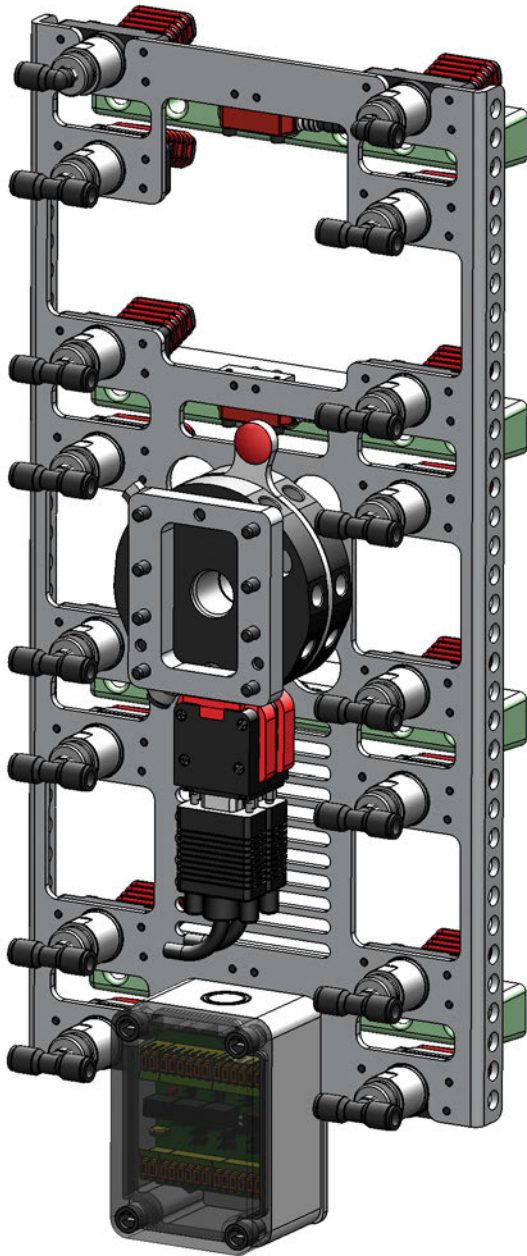
**OFP-20...**



**Application Example**



# One Finger Angular Grippers – OFP





**One Finger Angular Grippers – OFP**