

## Pneumatic Tilt Unit for Small EOATs – OFN

- One-piece gripper body design.
- 90° actuation
- Single acting #7407 & 5320 & New Double acting tilt units #7451 & #7528.
- Single acting versions lift by compressed air, spring reset
- Double acting versions do not have a spring return.
- See Sensor Reference Guide on page 1006 for full list of compatible sensors.

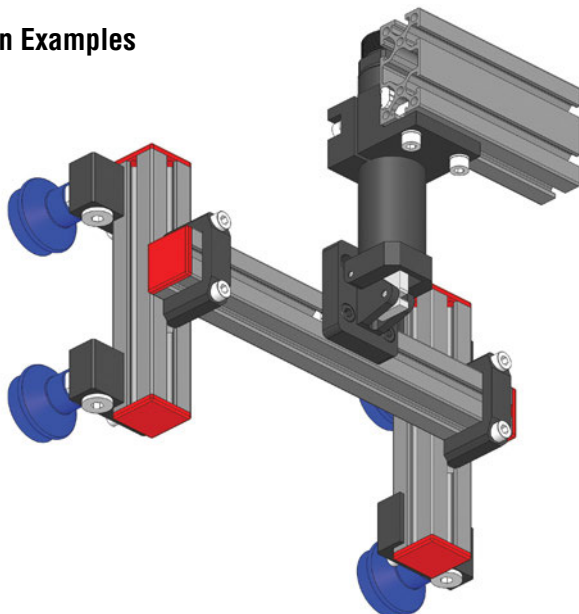


**NEW**

**NEW**

Quick#	7407	7528	5320	7451
Part#	OFN20-90	OFN20-90SD	OFN30-90	OFN30-90SD
Price	\$164.00	\$249.00	\$249.00	\$279.00
Function	Single Acting	Double Acting	Single Acting	Double Acting
Air port (thread size)	M5	M3 (see barb fitting suggestion on page 503)	M5	M5
Weight	75g	88g	210g	260g
Pressure range	36–116 psi	22–116 psi	36–116 psi	22–116 psi
Tilt angle	90°			
Lift torque at 87 psi (Mu)	6.19 in-lbf	7.08 in-lbf	26.5 in-lbf	26.5 in-lbf
Drop torque at 87 psi (Md)	1.32 in-lbf	3.54 in-lbf	2.65 in-lbf	13.3 in-lbf

### Application Examples



Fittings Available on page 1043

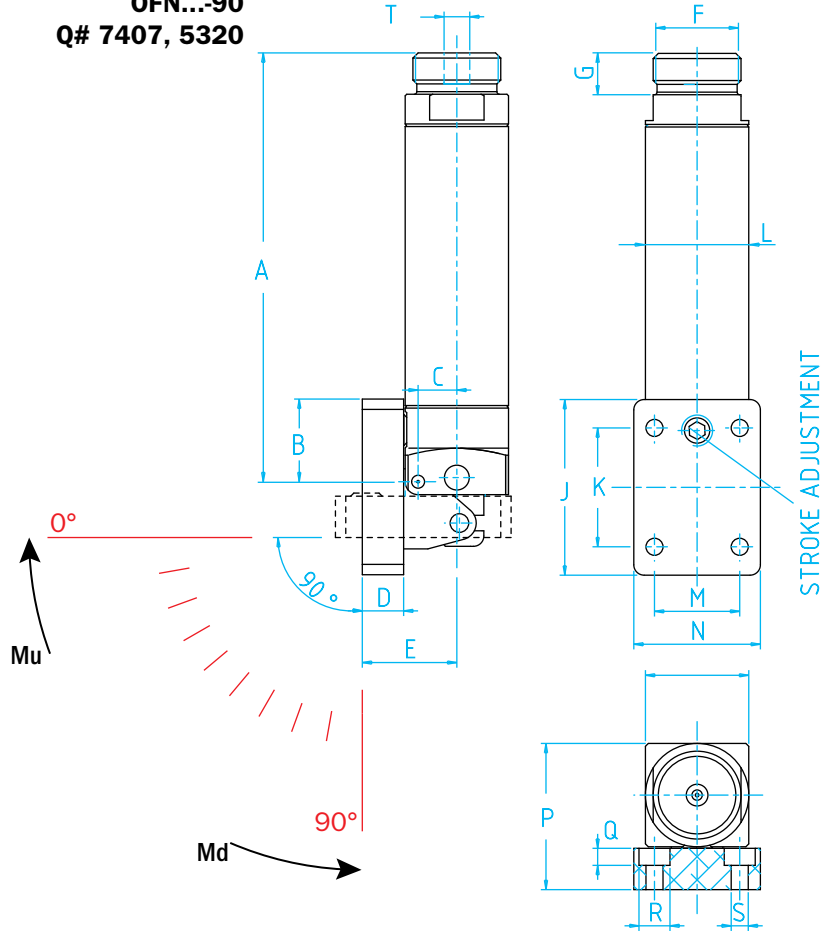


**Pneumatic Tilt Unit – OFN**

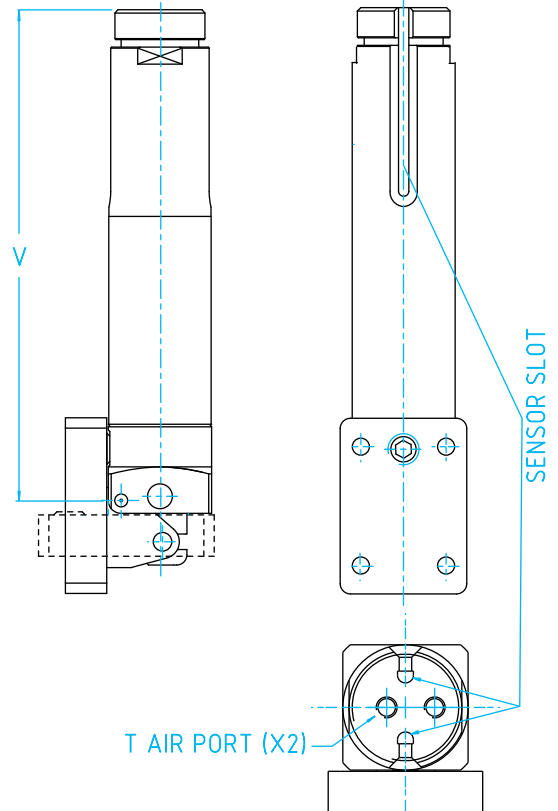


Optional sensor mounting bands for OFN grippers available. See page 529.

**OFN...-90**  
**Q# 7407, 5320**



**OFN...-90SD**  
**Q# 7528, 7451**



	7407	7528	5320	7451
A	83	-	119	-
B	16		18.5	
C	7.5		11	
D	8		10	
E	18.3		25.3	
F	M17x1		M27x1	
G	8		11	
J	34		46	
K	23		25	
L	20		30	
M	16.5		25	
N	24.5		37	
O	20		30	
P	28.3		40.3	
Q	3.3		5.3	
R	6		10	
S	3.3		5.3	
T	M5	M3	M5	M5
V	-	103.5	-	144

Note: The Q#7528 has two M3 air ports spaced close enough that push-to-connect fittings can not be used, use barbed fitting Quick# 256.