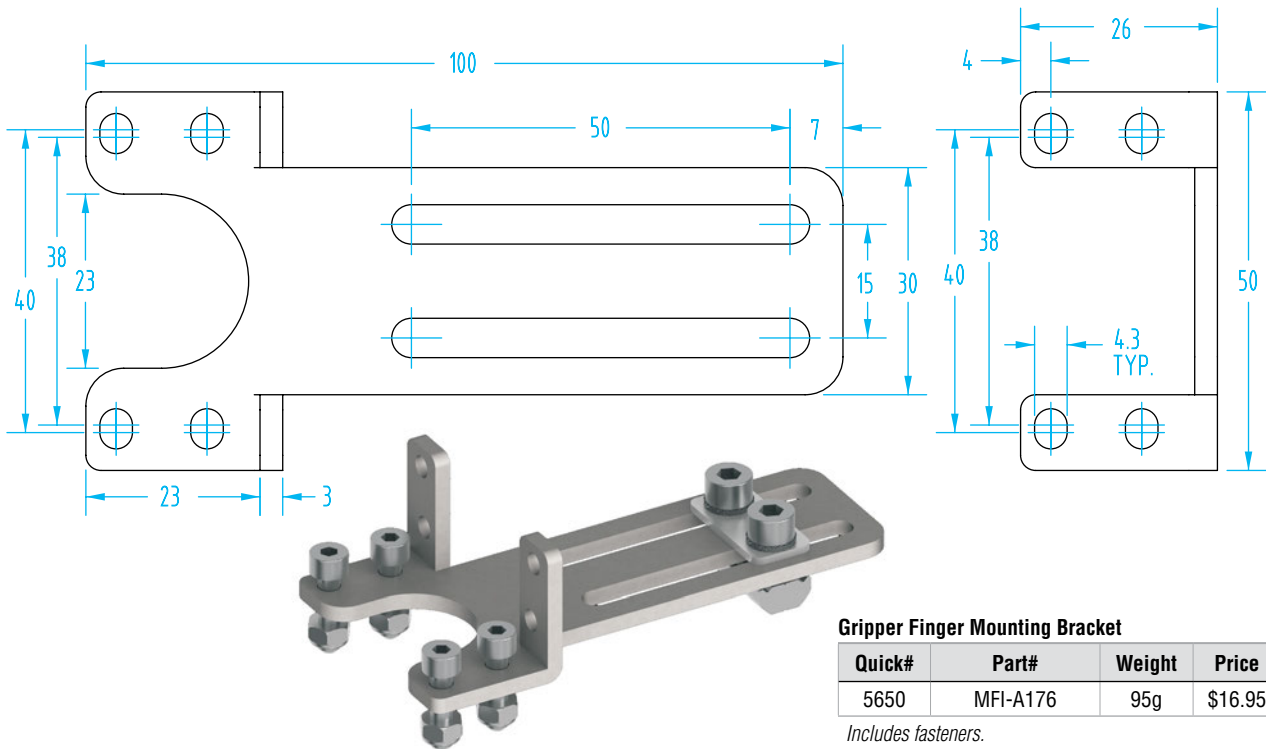


Gripper Finger Mounting Bracket

(Dimensioned drawing shown full scale)



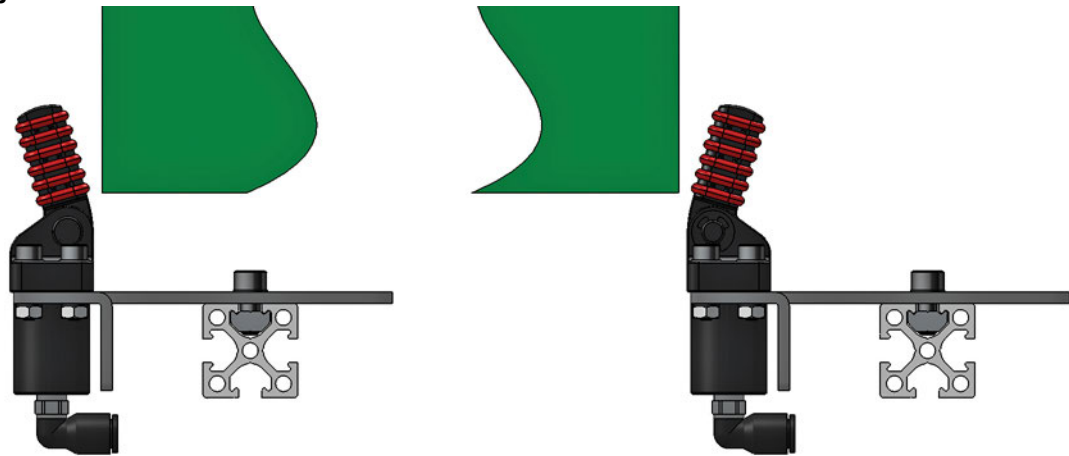
Gripper Finger Mounting Bracket

Quick#	Part#	Weight	Price
5650	MFI-A176	95g	\$16.95

Includes fasteners.

Application Example

Horizontal Mounting:



Vertical Mounting:

