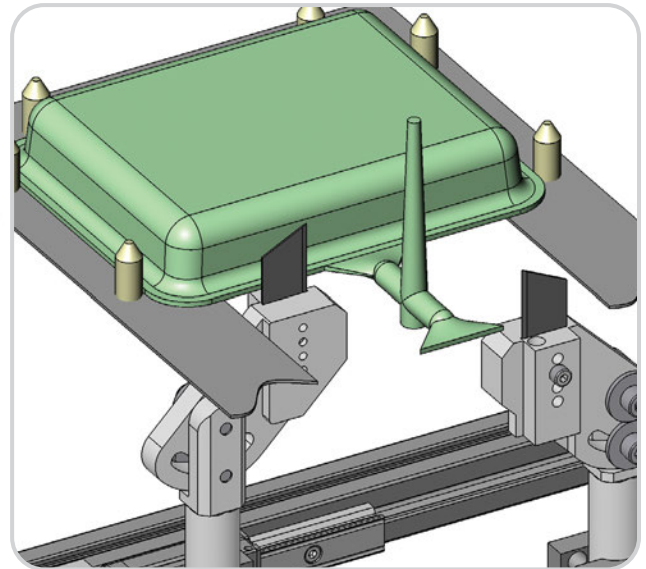
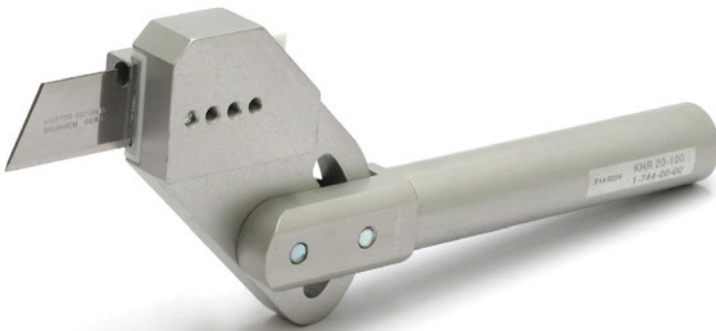


Blade Holder

(Dimensioned drawing shown half scale)



- Suitable for trimming, degating and deburring.
- Continuously adjustable angle from -45° to +45°.
- Includes 5 blades, additional blades available.
- Cartridge heater can be mounted on either side.
- Optional heating system.
- Uses the same temp. control box as Gimatic Thrust Cut Nippers.
- Thermocouple and blade heater are 1 unit.

Can be used with the Heavy-duty Guided Cylinders on page 770.

Blade Holder

Quick#	Part#	>ASS< #	Description	Price
3332	KHR-20-100	1-744-00-00	Includes 5 blades. Weight: 180g	\$288.75
Accessories				
3333	SKL-15	1-744-00-01	Spare Blade	\$5.25
2585	GSN-HC20-CHTC	9-05-100-03	Thermocouple / Blade Heater	\$136.00
5623	GSE-TCHP-CM	-	Heater Control Box	\$630.00

