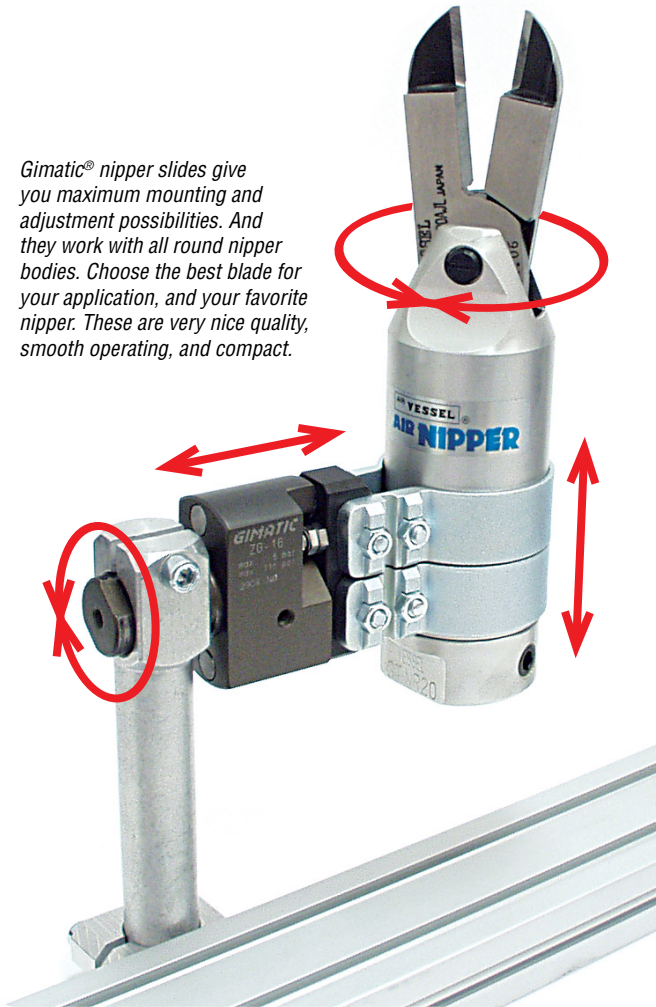


# Gimatic Nipper Slides

*Gimatic® nipper slides give you maximum mounting and adjustment possibilities. And they work with all round nipper bodies. Choose the best blade for your application, and your favorite nipper. These are very nice quality, smooth operating, and compact.*



These are the best slide nipper combinations available. They combine the strong cutting capability of the round-type nipper bodies with a slide actuator. The slides fit nipper bodies from size 05–30. They all have an adjustable stroke from 0–10mm. They are available in normally open and normally closed. All can be made double-acting by removing the internal spring, or use the spring in combination with the standard double acting porting to boost pressure. They are available as a sensor slot version, or non-sensor version. To provide maximum mounting possibilities the clampable bodies are Ø20mm and Ø30mm to fit standard mounting clamps.

*When angled blades are required, use one clamp and adjust the angle as necessary. This configuration is very strong and won't slip. (Single clamp configuration is only recommended for sizes 5 & 10.)*



**Cost Comparison**

ZG Slide	Price	Nipper Body	Price	Clamp Brackets (2)	Cutting Force	Total Price
ZG-16	\$203.00	GN-05	\$177.00	\$34.74	259 lbf	\$414.74
ZG-16	\$203.00	GN-10	\$182.00	\$43.68	611 lbf	\$428.68
ZG-25	\$257.00	GN-20	\$192.00	\$47.22	988 lbf	\$496.22
ZG-25	\$257.00	GN-30	\$203.00	\$52.84	1,327 lbf	\$512.84

Order Blades Separately. Try new brackets on page 835 for a more cost effective solution.

ZG-16 with size 05 Nipper



ZG-16 with size 10 Nipper



ZG-16 with size 20 Nipper



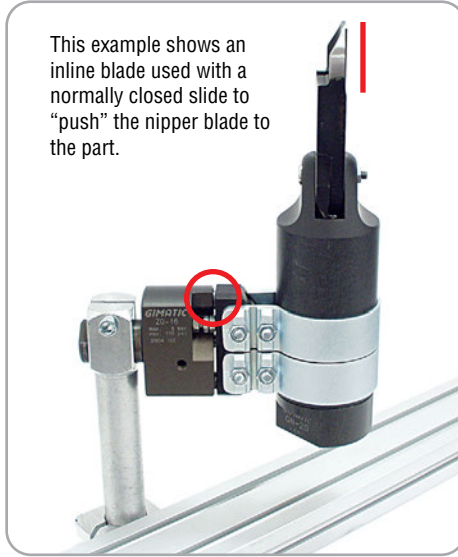
ZG-25 with size 30 Nipper



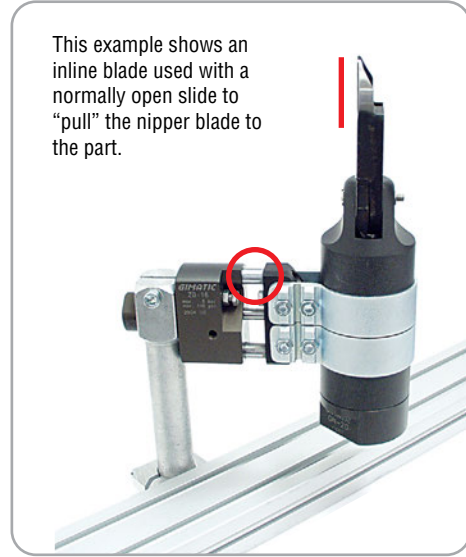
## Nipper Slide Examples

**Ideal for  
Robotic EOAT  
Applications.**

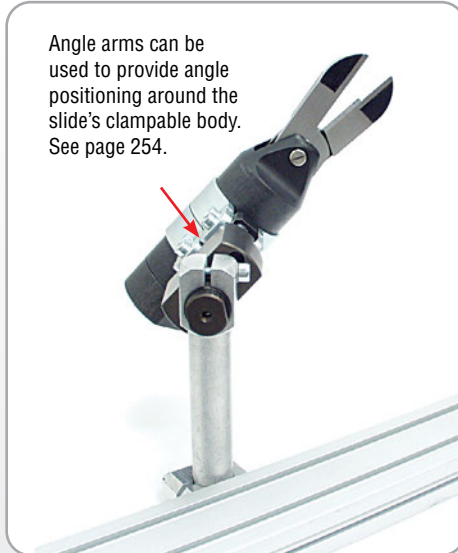
This example shows an inline blade used with a normally closed slide to “push” the nipper blade to the part.



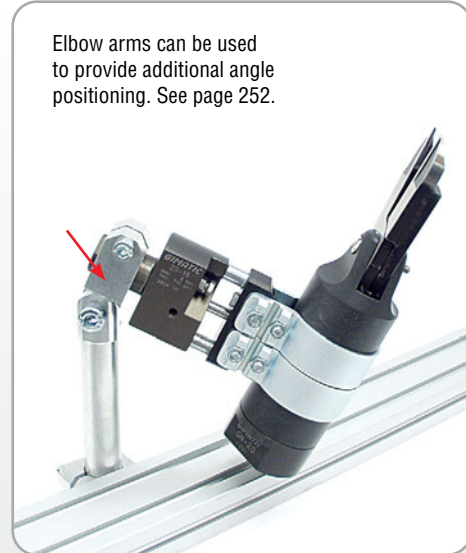
This example shows an inline blade used with a normally open slide to “pull” the nipper blade to the part.



Angle arms can be used to provide angle positioning around the slide’s clampable body. See page 254.

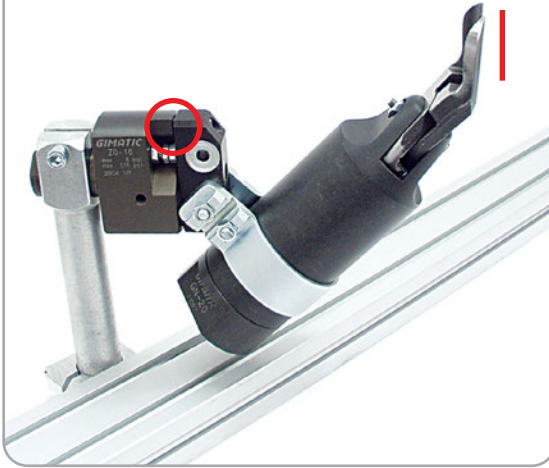


Elbow arms can be used to provide additional angle positioning. See page 252.

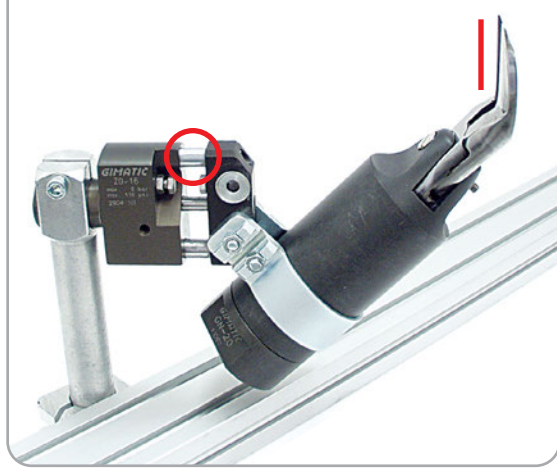


# Nipper Slide Examples

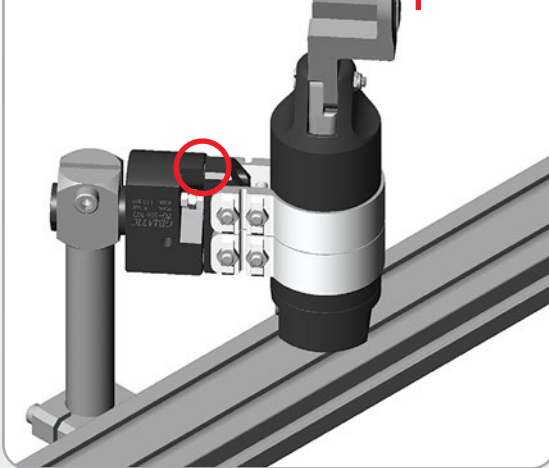
This example shows a deep angle blade used with a normally closed slide to “push” the nipper blade to the part.



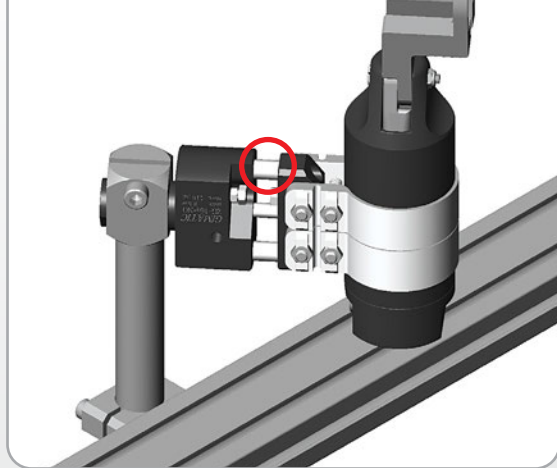
This example shows an reverse angle blade used with a normally open slide to “pull” the nipper blade to the part.



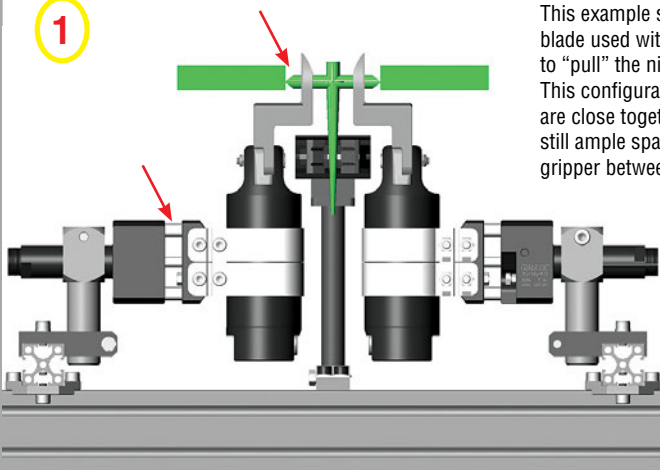
This example shows an offset blade used with a normally closed slide to “push” the nipper blade to the part.



This example shows an offset-reverse blade used with a normally open slide to “pull” the nipper blade to the part.

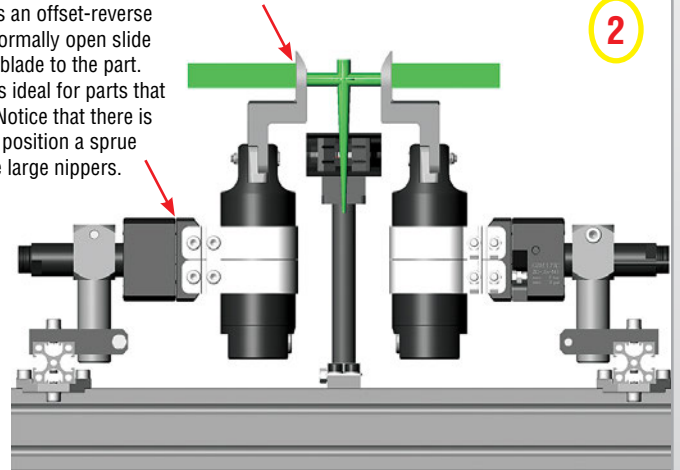


1



This example shows an offset-reverse blade used with a normally open slide to “pull” the nipper blade to the part. This configuration is ideal for parts that are close together. Notice that there is still ample space to position a sprue gripper between the large nippers.

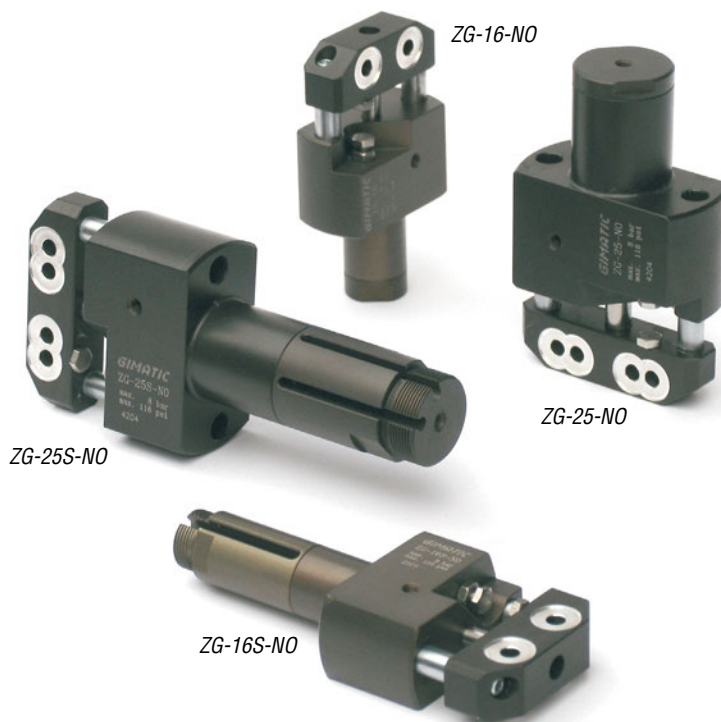
2





## Nipper Slides

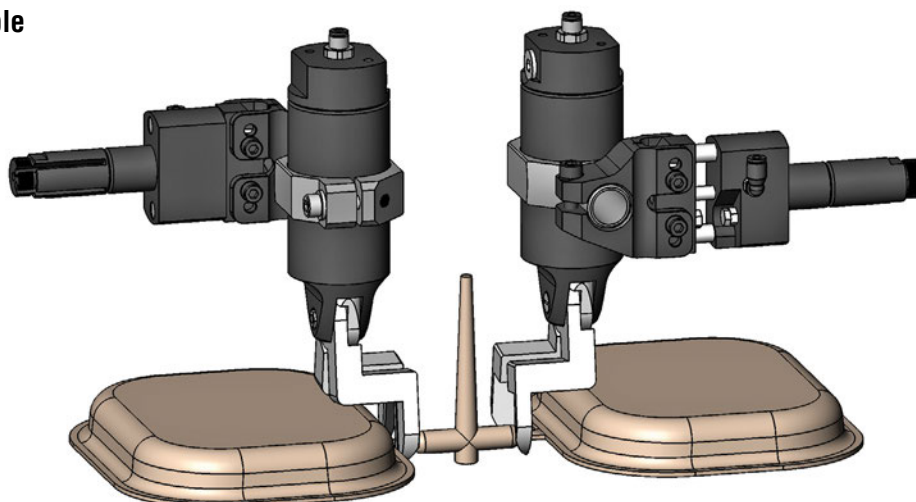
- Sliding nippers allow precise blade positioning for accurate cuts with no to minimal vestage.
- Available in two sizes: Bore 16 and 25mm.
- All can be used as double acting.
- Internal spring can be removed, or used for: spring open (NO), or spring closed (NC).
- Available with or without sensor slots.
- Unique configuration allows for unlimited positioning.
- New mounting brackets on page 835.



**Pricing: See Next Page.**

Part#	ZG-16-NO	ZG-16-NC	ZG-25-NO	ZG-25-NC
	(with sensor slots)	ZG-16S-NO	ZG-16S-NC	ZG-25S-NO
Quick#	6362	6364	6366	6368
(with sensor slots)	6363	6365	6367	6369
Medium	Filtered, lubricated/non-lubricated compressed air			
Pressure range	43–116 psi			
Stroke	0–10mm			
Piston bore	16mm		25mm	
Retraction force at 87 psi	15 lbf	27 lbf	47 lbf	62 lbf
Extension force at 87 psi	30 lbf	18 lbf	67 lbf	54 lbf
Retraction force at 0 psi	0 lbf	6 lbf	0 lbf	7 lbf
Extension force at 0 psi	6 lbf	0 lbf	7 lbf	0 lbf
Weight without air nipper ZG-...	180g	180g	360g	360g
Weight without air nipper XG-...S-...	200g	200g	425g	425g

### Application Example



## Sizing and Ordering Nipper Slide Packages

### STEP 1 SELECT NIPPER BODY AND BLADE

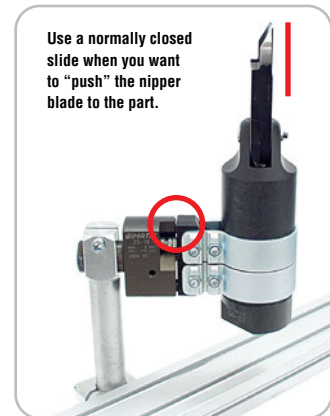
Select any round nipper body size from 05 to 30 and an appropriate blade. Order separately.



### STEP 2 DETERMINE NORMALLY OPEN OR NORMALLY CLOSED

If you are going to “Push” the blade to the part, you will be using a Normally Closed slide.  
If you are going to “Pull” the blade to the part, you will be using a Normally Open slide.

**NOTE:** If you want strict double acting, order the Normally Closed version and remove the spring. The spring is easier to remove from Normally Closed slides. (All ZG Slides are plumbed for double-acting operation.)



### STEP 3 DETERMINE MOUNTING ANGLE AND NUMBER OF BRACKETS

Depending upon your configuration, one or two brackets will be used. Single clamp configuration is only recommended for sizes 5 & 10 nippers. Order brackets on pages 835 & 836.



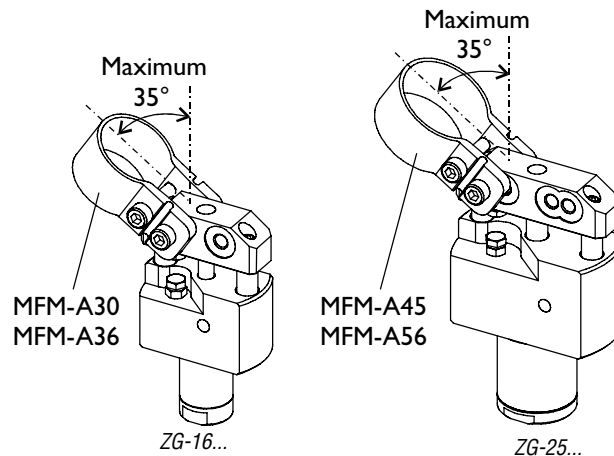
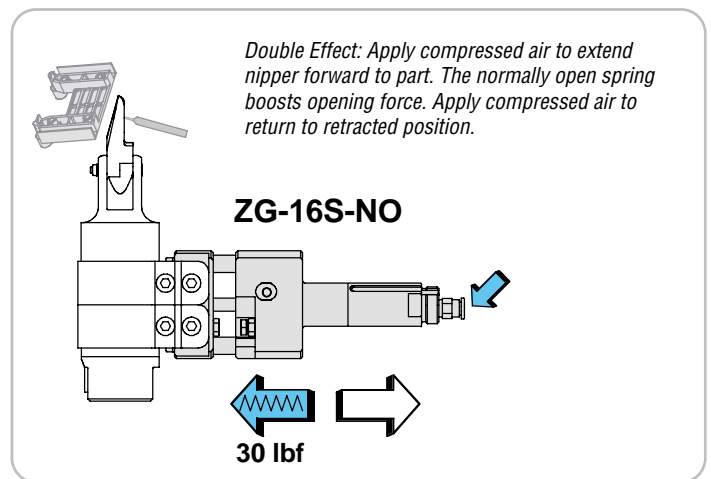
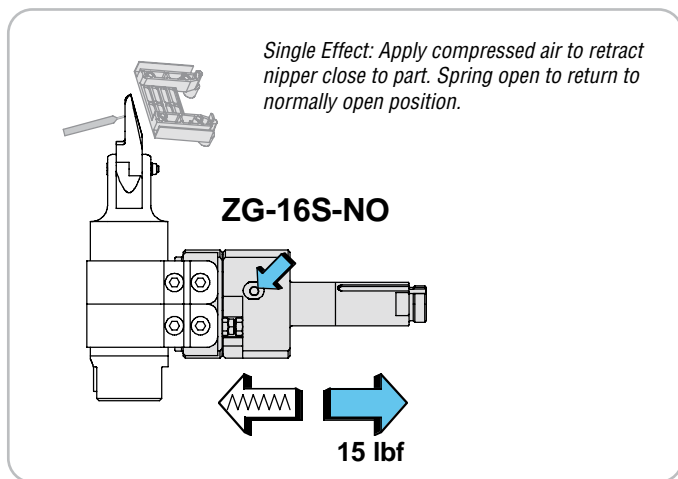
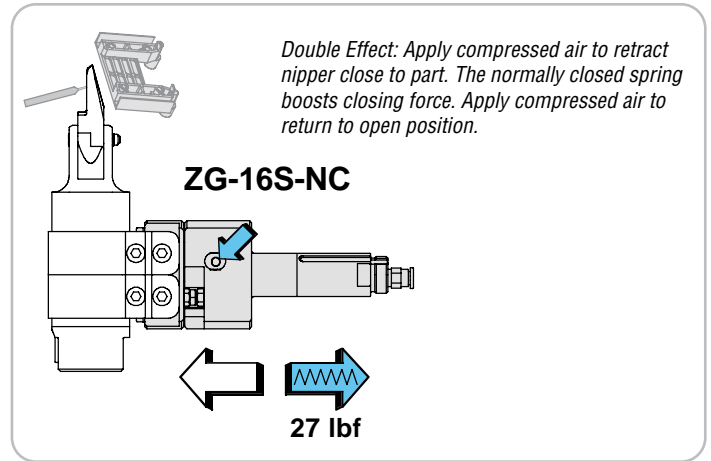
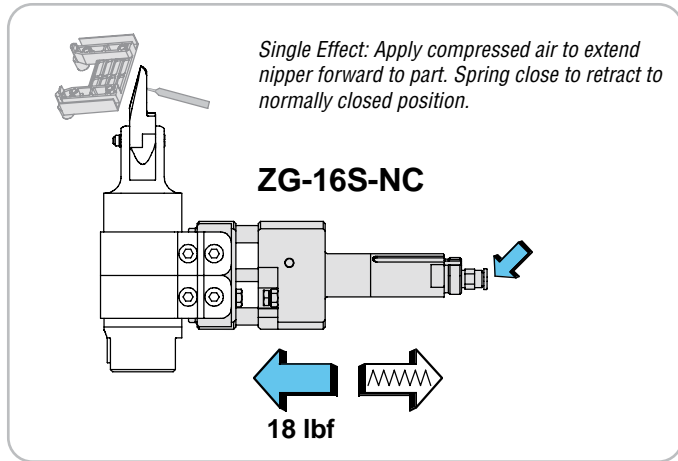
### STEP 4 ORDER THE APPROPRIATE ZG SLIDE

- A. If you are using nipper body sizes 5 or 10, order ZG-16 slides. If you are using size 20 bodies, order size ZG-16. If you are using size 30 nippers, order ZG-25 slides.
- B. Determine if you want sensor capability, or not. Other sensor options for the ZG Nipper Slides including sensors with M8 connectors are available on page 1007.

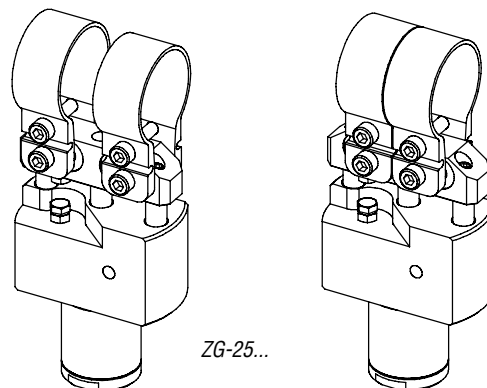
Quick#	Part#	Normal State	Style	Use with Nipper Sizes	Price
6362	ZG-16-NO	Open	Non-Sensor	05, 10, 20	\$203.00
6363	ZG-16S-NO	Open	Sensor Style	05, 10, 20	\$189.00
6364	ZG-16-NC	Closed	Non-Sensor	05, 10, 20	\$203.00
6365	ZG-16S-NC	Closed	Sensor Style	05, 10, 20	\$189.00
6366	ZG-25-NO	Open	Non-Sensor	20, 30	\$257.00
6367	ZG-25S-NO	Open	Sensor Style	20, 30	\$285.00
6368	ZG-25-NC	Closed	Non-Sensor	20, 30	\$257.00
6369	ZG-25S-NC	Closed	Sensor Style	20, 30	\$285.00

Quick#	Part#	Price	Cable	Signal	Voltage
1882	SS4N225G	\$27.20	3-wire, 2.5m leads	PNP	6-24v dc
1883	SS4M225G	\$27.20	3-wire, 2.5m leads	NPN	6-24v dc

# Nipper Slides

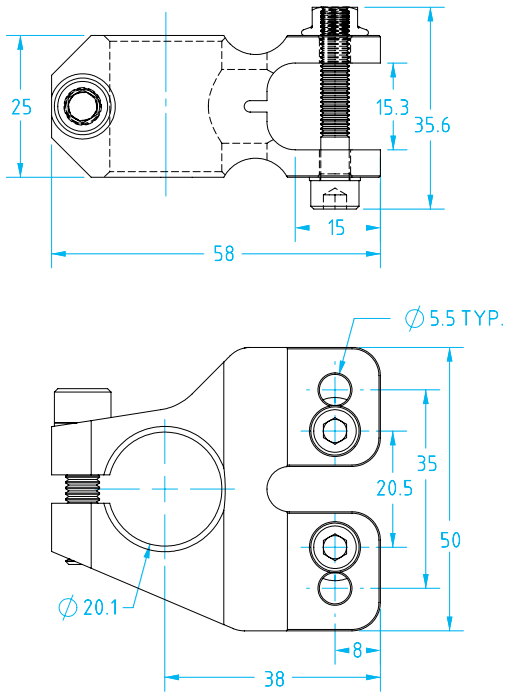


1	2	3
GN-05	MFM-A30	ZG-16...
GN-05S		
GN-10	MFM-A36	ZG-16...
GN-10S		
GN-20	MFM-A45	ZG-25...
GN-20S		
GN-30	MFM-A56	ZG-25...
GN-30S		



# ZG Nipper Slide Mounting Bracket

(Dimensioned drawings shown 3/4 scale)



### Mounting for Nipper

Quick#	Part#	Price	Wt.
5350	GSC-MB-ZG1625	\$54.27	92g



Can be used with ZG-16 and ZG-25 series nipper mountings.

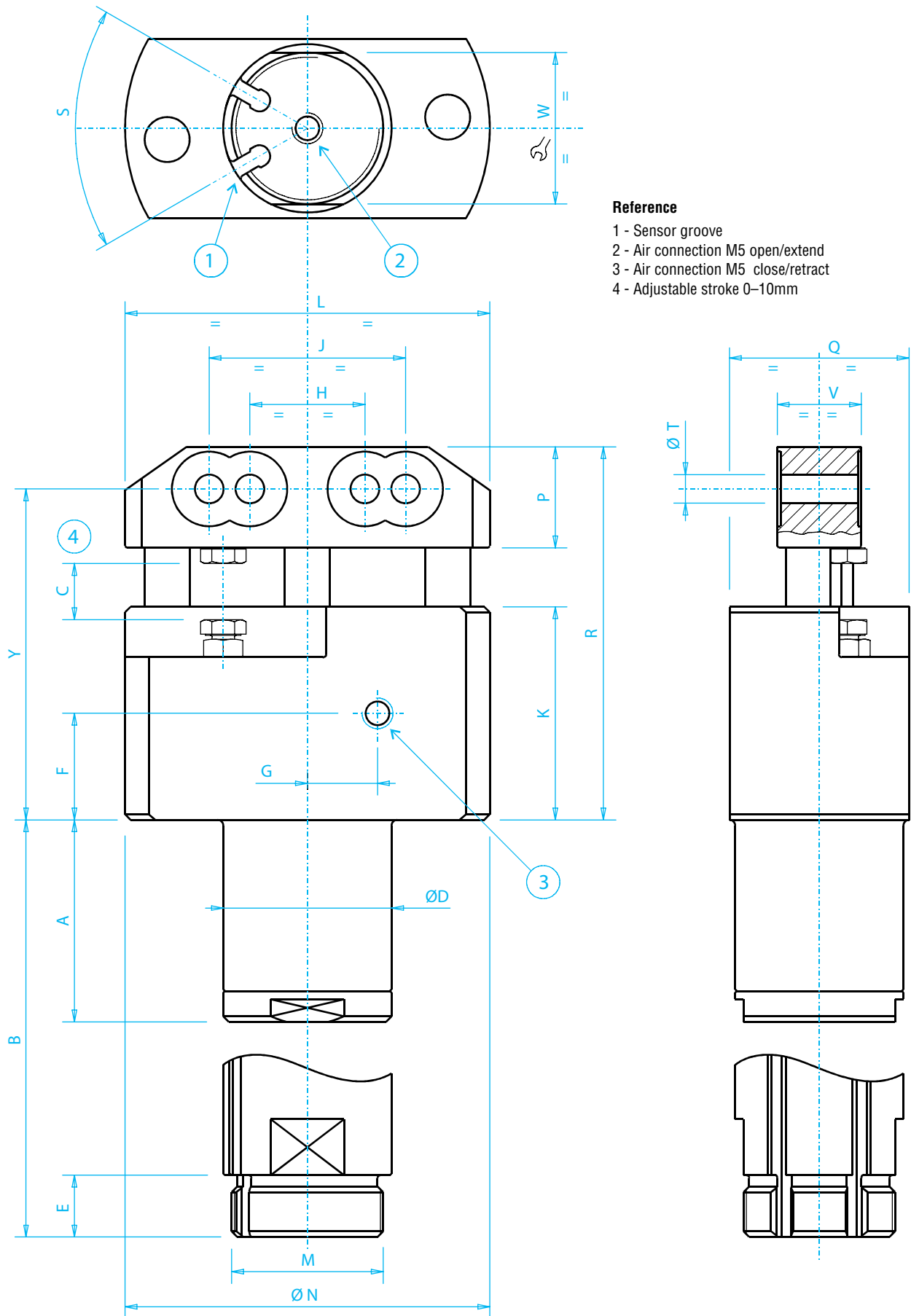
## Sensors

The operating position can be checked by sensors (optional), that detect the magnet on the position inside. Therefore, a nearby large mass of ferromagnetic material or intense magnetic fields may cause sensing troubles.



Quick#	Part#	Type	Connection	Price
<b>3-wire, SS type 'C' slot sensor</b>				
1882	SS4N225G	PNP	2.5m long lead	\$27.20
1883	SS4M225G	NPN	2.5m long lead	\$27.20
6282	SS3N203G	PNP	w/ M8 connector 0.3m long	\$31.16
1884	SS3M203G	NPN	w/ M8 connector 0.3m long	\$31.16
<b>3-wire, 90° Lead exit, SN type 'C' slot sensor</b>				
6278	SN4N225G	PNP	2.5m long lead	\$27.20
6357	SN4M225G	NPN	2.5m long lead	\$27.20
6277	SN3N203G	PNP	w/ M8 connector 0.3m long	\$31.16
6356	SN3M203G	NPN	w/ M8 connector 0.3m long	\$31.16

# ZG Nipper Slide Dimensions



**Reference**

- 1 - Sensor groove
- 2 - Air connection M5 open/extend
- 3 - Air connection M5 close/retract
- 4 - Adjustable stroke 0–10mm



## ZG Nipper Slide Dimensions

	ZG-16...	ZG-16S...	ZG-25...	ZG-25S...
A	29	/	36	/
B	/	63	/	78.5
C	10 max	10 max	10 max	10 max
D	Ø20	Ø20	Ø30	Ø30
E	/	8	/	11
F	17	17	19	19
G	6	6	12.5	12.5
H	20.5	20.5	20.5	20.5
J	/	/	35	35
K	31	31	38	38
L	50	50	65	65
M	/	M17x1	/	M27x1
N	Ø50	Ø50	Ø65	Ø65
P	18	18	18	18
Q	25	25	32	32
R	59.5	59.5	66.5	66.5
S	/	80°	/	60°
T	Ø5.1	Ø5.1	Ø5.1	Ø5.1
V	15	15	15	15
W	17	17	27	27
Y	52	52	59	59

### Application Example

