

Blades for Size 50 Nipper Bodies

Size 30 blades fit in size 50 bodies

Blade	Part#	Price	Style	Brand	Page	#2057 Blade Cover Compatibility	Nipper Body			Weight
							Gimatic 50	Swanstrom 50	Nile 50	
							Tip to Tip Opening (mm) *			
612	GSN-N30-AP	\$128.00	Std. Angle	Vessel	893	✓	32	35.5	33.5	358g
1012	X-30ST	\$124.00	Std. Angle	Swanstrom	893	✓	27	29.5	27.5	374g
5033	GN30AP	\$131.00	Std. Angle	Gimatic	894	✓	31.5	34.5	33	382g
1572	GSN-F9P	\$101.50	Std. Angle	Nile	894	✓	29.5	32.5	30	410g
1573	GSN-FD9P	\$106.50	Deep Angle	Nile	896	✓	26	29	26	410g
613	GSN-N30-PF	\$132.00	Deep Angle	Vessel	895	✓	26	28.5	26.5	376g
1013	X-30-DA	\$124.00	Deep Angle	Swanstrom	895	✓	25	27	25.5	388g
5034	GN30PF	\$137.00	Deep Angle	Gimatic	896	✓	26	29.5	27	386g
697	GSN-N30-AA	\$423.00	Deep, Long	Vessel	897	✗	36.5	40	37.5	372g
1097	X-30-LA	\$212.00	Deep, Long	Swanstrom	897	✗	32	35	32.5	378g
1026	X-30-DA75	\$355.00	Extra Deep	Swanstrom	898	✗	20.5	22.5	21	416g
1027	X-30-DA90	\$356.00	Extra Deep	Swanstrom	898	✗	17.5	19	17.5	432g
614	GSN-N30-AJL	\$188.00	Inline	Vessel	900	✓	33.5	37	34.5	470g
1014	X-30-LI	\$172.00	Inline	Swanstrom	901	✓	32.5	35.5	33.5	464g
5032	GN30AJ	\$144.00	Inline	Gimatic	900	✓	22	25	23.5	368g
1574	GSN-F9PS	\$101.50	Inline	Nile	901	✓	28	35	29.5	404g
1041	X-30-OS	\$446.00	Offset	Swanstrom	902	✗	32	35.5	33.5	494g
1042	X-30-OR	\$482.00	Offset	Swanstrom	902	✗	34	37	34.5	494g
615	GSN-N30-AE	\$144.00	Perpendicular	Vessel	899	✓	20	22	20.5	386g
1015	X-30-PE	\$135.00	Perpendicular	Swanstrom	899	✓	19	21	19.5	374g

*Note: Tip-to-tip opening dimensions are approximate and can vary from blade to blade because blades are hand finished.

Carbide and Custom blades are available, call EMI.

Gimatic Blade Covers:

- Gimatic blades include protective blade covers, if you need additional covers they are listed here.
- Cover snaps into profile for storage, and ring can be used for zip-ties.



Gimatic Size 30 & 50 Blade Covers

Quick#	Part#	Price
6087	COJ30	\$2.59

Universal Blade Covers:

- Provides protection without compressing the nipper blade's spring.
- See reference chart above for compatibility.

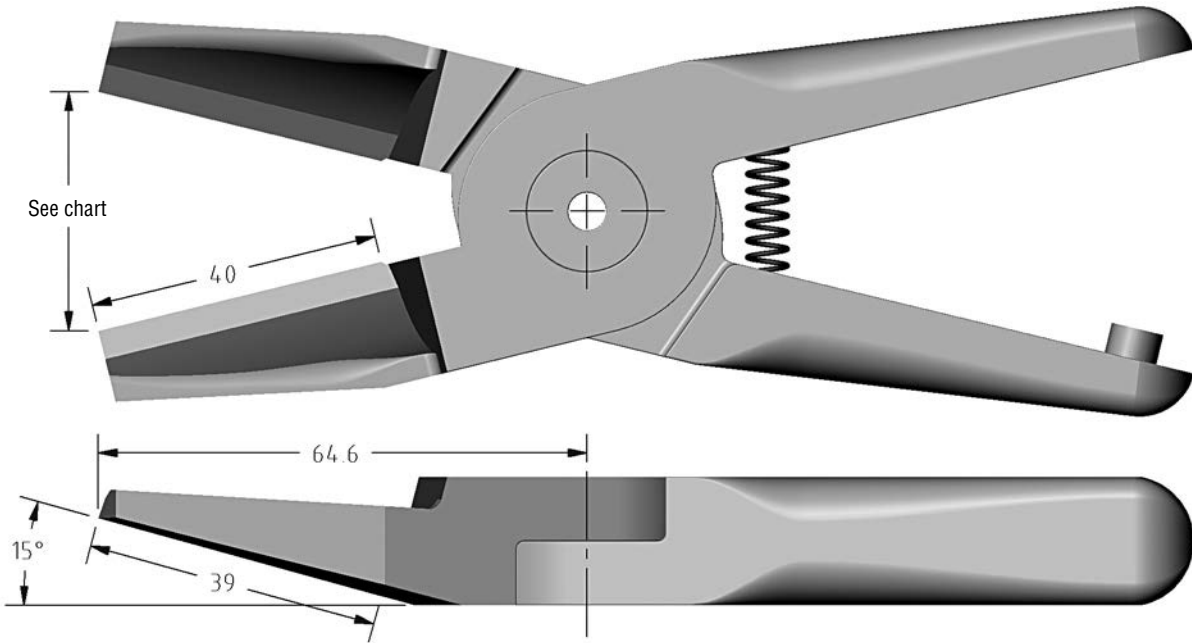


Universal Size 50 Blade Covers

Quick#	Part#	Price
2057	GSN-BC-50	\$21.47

Blades for Size 50 Nippers

(Dimensioned drawings shown full scale)

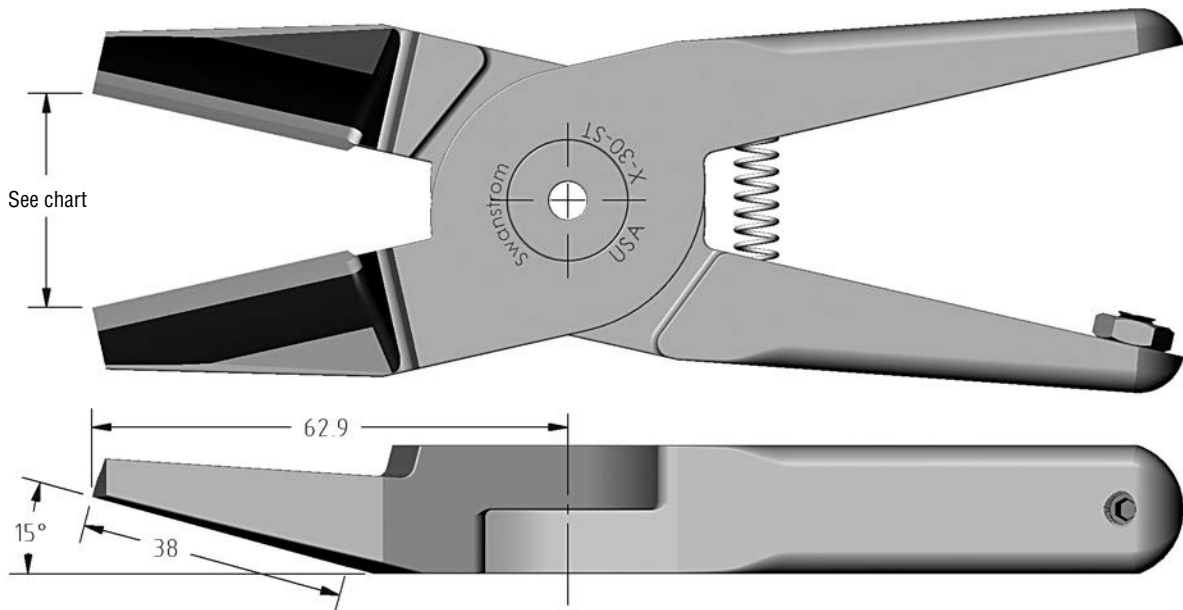


Vessel

Quick#	Part#	Price	Ø Sprue	Wt.
612	GSN-N30-AP	\$128.00	18mm	358g
Replacement Spring				
1285	SPR-05	\$2.20		

Size 50 Nipper Body Tip to Tip Opening*

Vessel	Gimatic	Swanstrom	Nile	OEM
No	32mm	35.5mm	33.5mm	32mm



Swanstrom

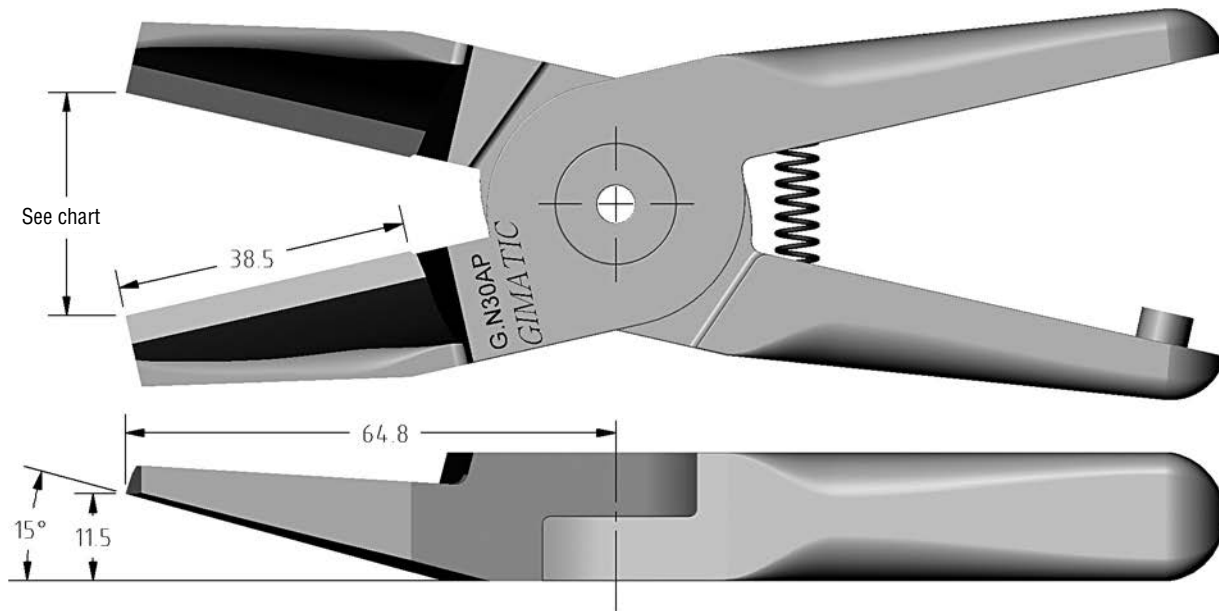
Quick#	Part#	Price	Ø Sprue	Wt.
1012	X-30-ST	\$124.00	18mm	374g
Replacement Spring				
1043	GSN-SP-031	\$2.60		

Size 50 Nipper Body Tip to Tip Opening*

Vessel	Gimatic	Swanstrom	Nile	OEM
No	27mm	29.5mm	27.5mm	27mm

Blades for Size 50 Nippers

(Dimensioned drawings shown full scale)

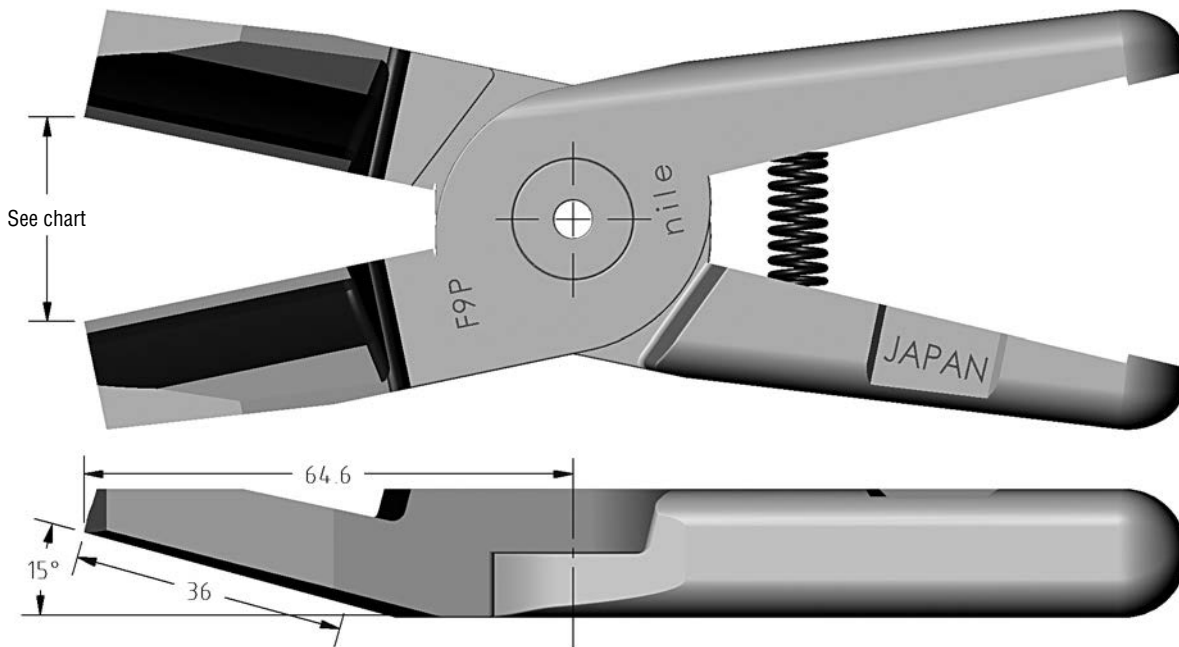


Gimatic

Quick#	Part#	Price	Ø Sprue	Wt.
5033	GN30AP	\$131.00	18mm	383g
Replacement Spring				
1285	SPR-05	\$2.20		

Size 50 Nipper Body Tip to Tip Opening*

Vessel	Gimatic	Swanstrom	Nile	OEM
No	31.5mm	34.5mm	33mm	31.5mm



Nile

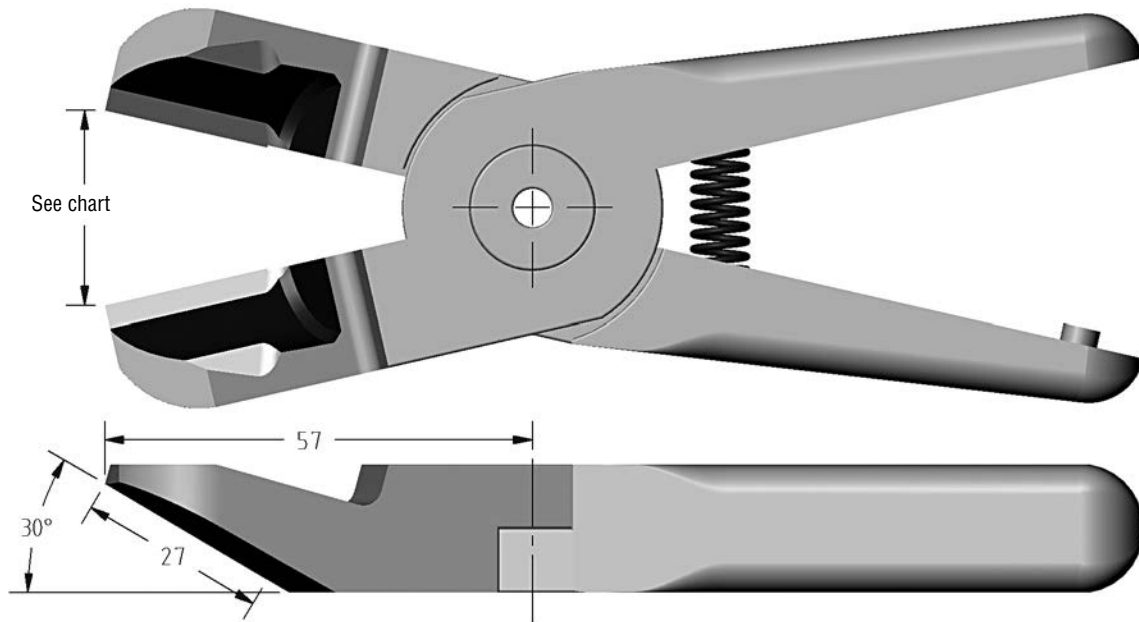
Quick#	Part#	Price	Ø Sprue	Wt.
1572	GSN-F9P	\$101.50	18mm	410g
Replacement Spring				
2301	855-3090	\$2.09		

Size 50 Nipper Body Tip to Tip Opening*

Vessel	Gimatic	Swanstrom	Nile	OEM
No	29.5mm	32.5mm	30mm	29.5mm

Blades for Size 50 Nippers

(Dimensioned drawings shown full scale)

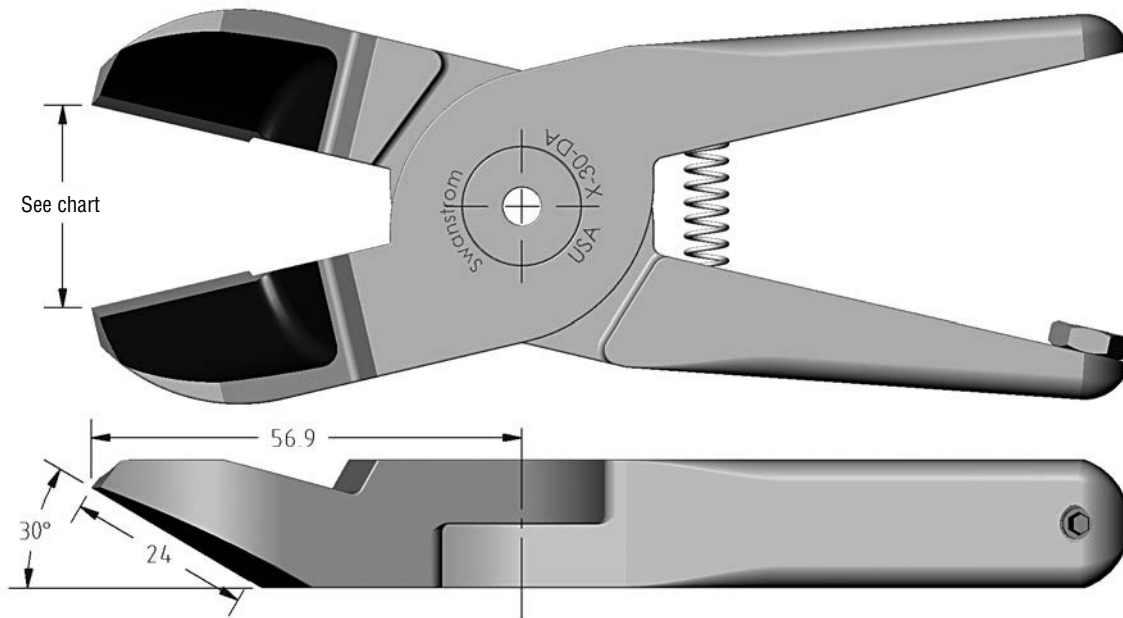


Vessel

Quick#	Part#	Price	Ø Sprue	Wt.
613	GSN-N30-PF	\$132.00	18mm	376g
Replacement Spring				
1285	SPR-05	\$2.20		

Size 50 Nipper Body Tip to Tip Opening*

Vessel	Gimatic	Swanstrom	Nile	OEM
No	26mm	28.5mm	26.5mm	26mm



Swanstrom

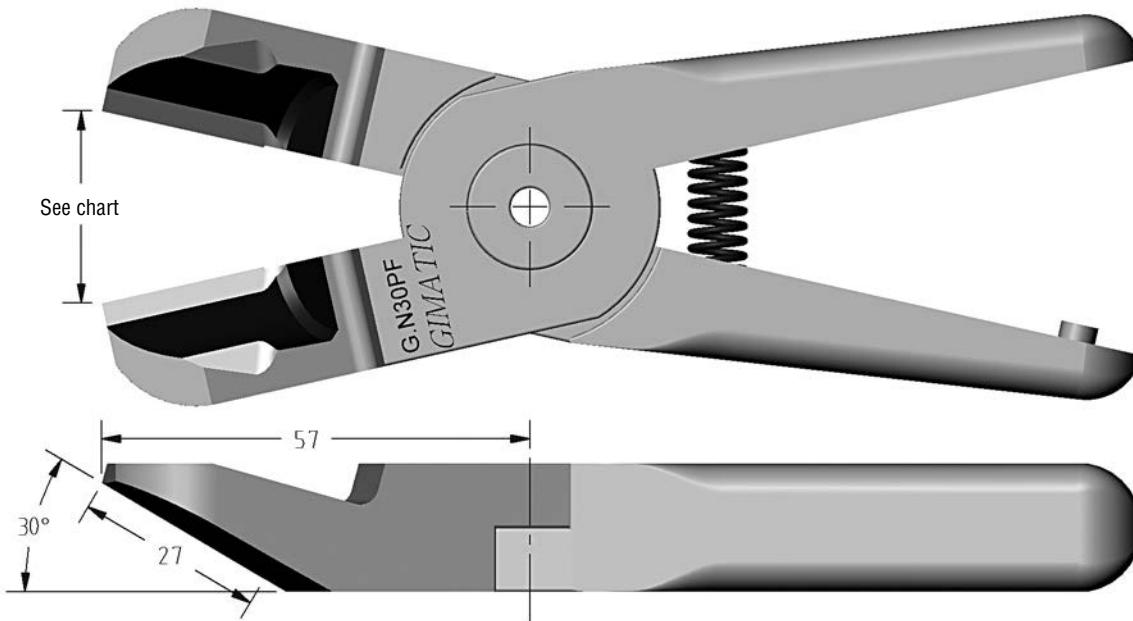
Quick#	Part#	Price	Ø Sprue	Wt.
1013	X-30-DA	\$124.00	18mm	388g
Replacement Spring				
1043	GSN-SP-031	\$2.60		

Size 50 Nipper Body Tip to Tip Opening*

Vessel	Gimatic	Swanstrom	Nile	OEM
No	25mm	27mm	25.5mm	25mm

Blades for Size 50 Nippers

(Dimensioned drawings shown full scale)

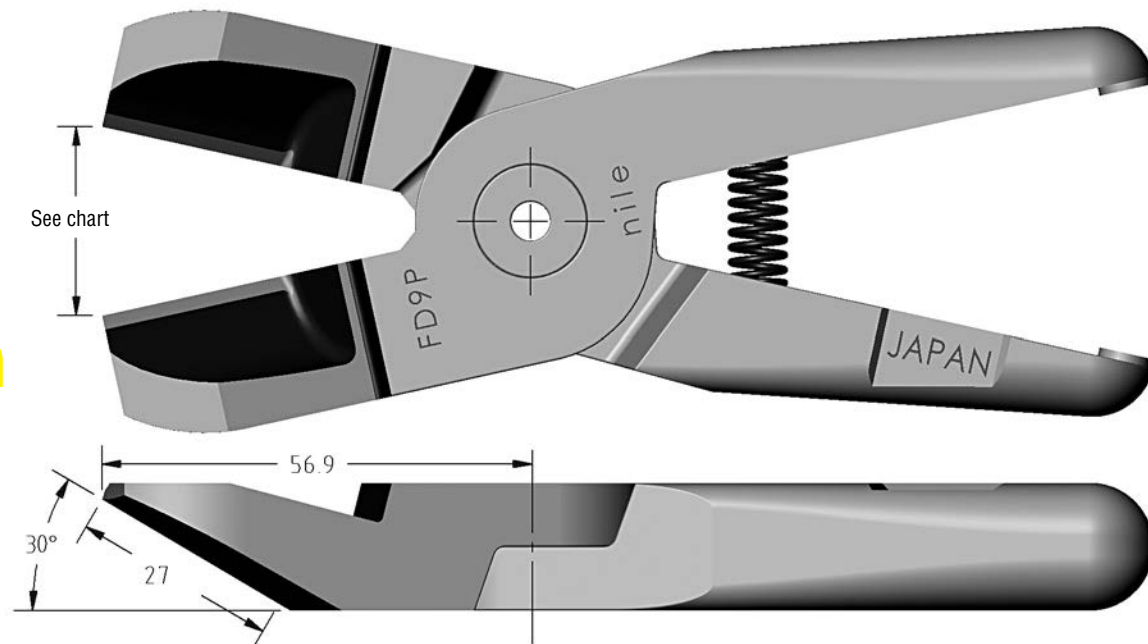


Gimatic

Quick#	Part#	Price	Ø Sprue	Wt.
5034	GN30PF	\$137.00	18mm	386g
Replacement Spring				
1285	SPR-05	\$2.20		

Size 50 Nipper Body Tip to Tip Opening*

Vessel	Gimatic	Swanstrom	Nile	OEM
No	26mm	29.5mm	27mm	26mm



Nile

Quick#	Part#	Price	Ø Sprue	Wt.
1573	GSN-FD9P	\$106.50	18mm	410g
Replacement Spring				
2301	855-3090	\$2.09		

Size 50 Nipper Body Tip to Tip Opening*

Vessel	Gimatic	Swanstrom	Nile	OEM
No	26mm	29mm	26mm	26mm

Blades for Size 50 Nippers

(Dimensioned drawings shown full scale)

See chart

74

50

30°

Vessel				
Quick#	Part#	Price	Ø Sprue	Wt.
697	GSN-N30-AA	\$423.00	18mm	372g
Replacement Spring				
1285	SPR-05	\$2.20		

Size 50 Nipper Body Tip to Tip Opening*				
Vessel	Gimatic	Swanstrom	Nile	OEM
No	36.5mm	40mm	37.5mm	36.5mm

See chart

75

53

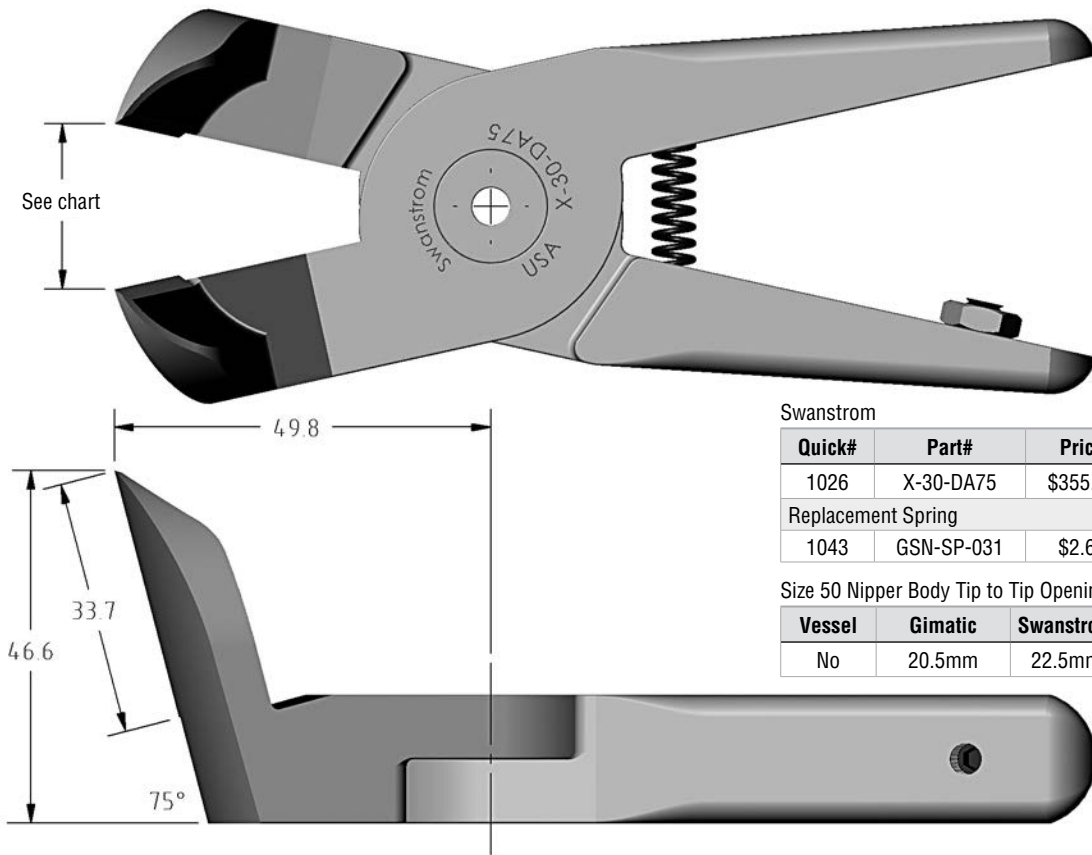
30°

Swanstrom				
Quick#	Part#	Price	Ø Sprue	Wt.
1097	X-30-LA	\$212.00	18mm	378g
Replacement Spring				
1043	GSN-SP-031	\$2.60		

Size 50 Nipper Body Tip to Tip Opening*				
Vessel	Gimatic	Swanstrom	Nile	OEM
No	32mm	35mm	32.5mm	32mm

Blades for Size 50 Nippers

(Dimensioned drawings shown full scale)

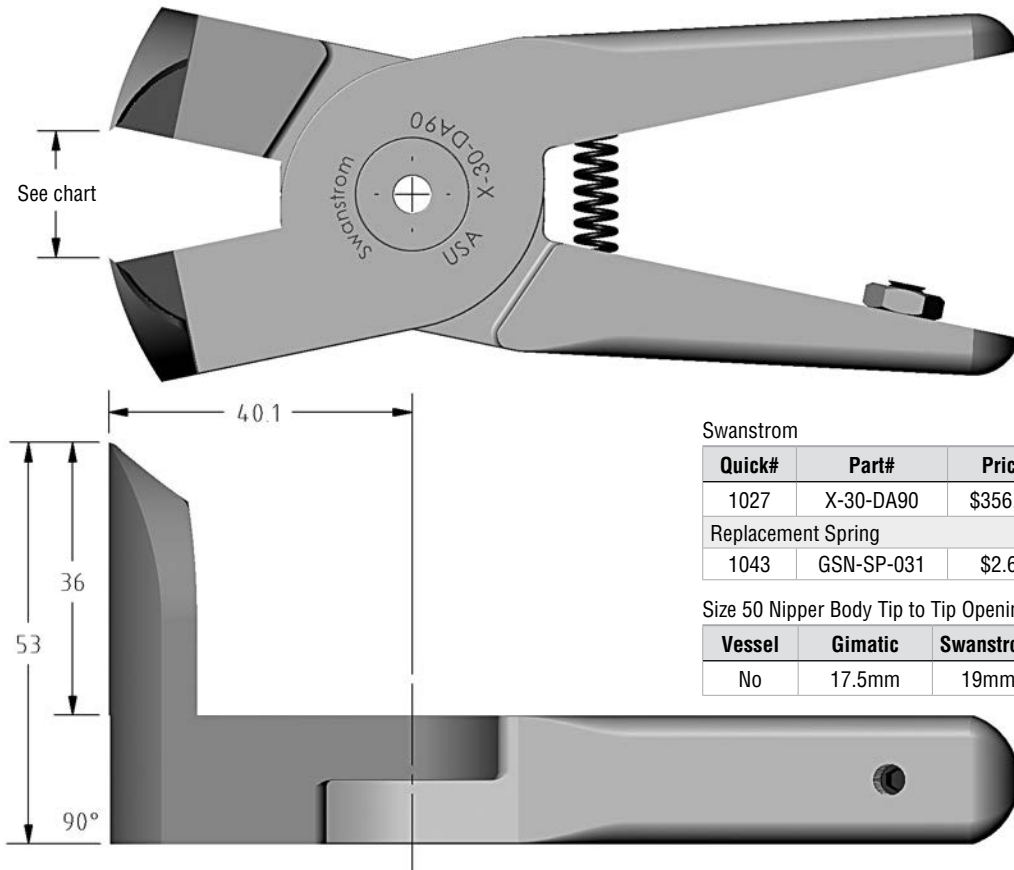


Swanstrom

Quick#	Part#	Price	Ø Sprue	Wt.
1026	X-30-DA75	\$355.00	14mm	416g
Replacement Spring				
1043	GSN-SP-031	\$2.60		

Size 50 Nipper Body Tip to Tip Opening*

Vessel	Gimatic	Swanstrom	Nile	OEM
No	20.5mm	22.5mm	21mm	20.5mm



Swanstrom

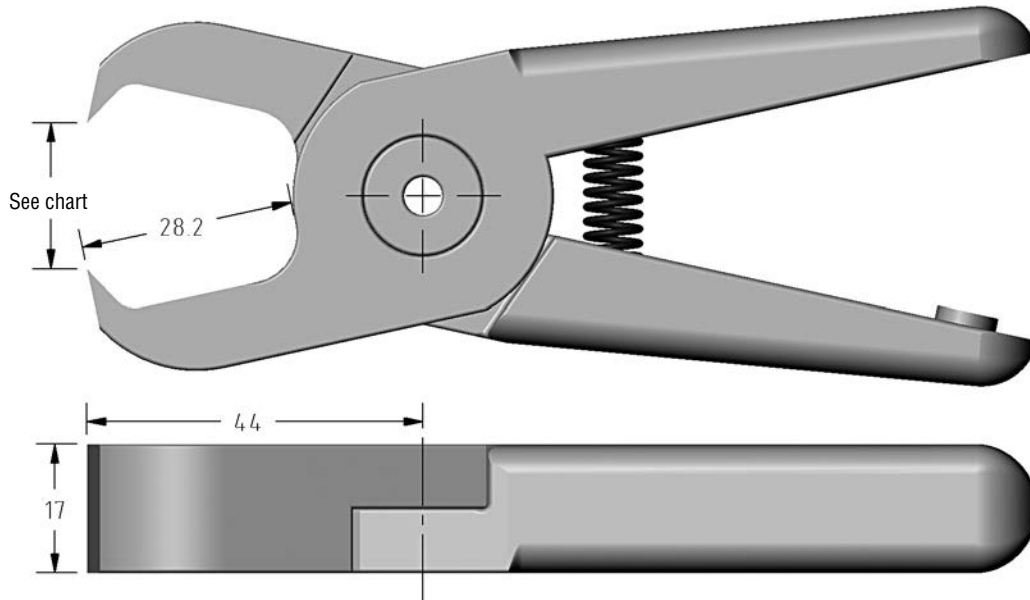
Quick#	Part#	Price	Ø Sprue	Wt.
1027	X-30-DA90	\$356.00	14mm	432g
Replacement Spring				
1043	GSN-SP-031	\$2.60		

Size 50 Nipper Body Tip to Tip Opening*

Vessel	Gimatic	Swanstrom	Nile	OEM
No	17.5mm	19mm	17.5mm	17.5mm

Blades for Size 50 Nippers

(Dimensioned drawings shown full scale)

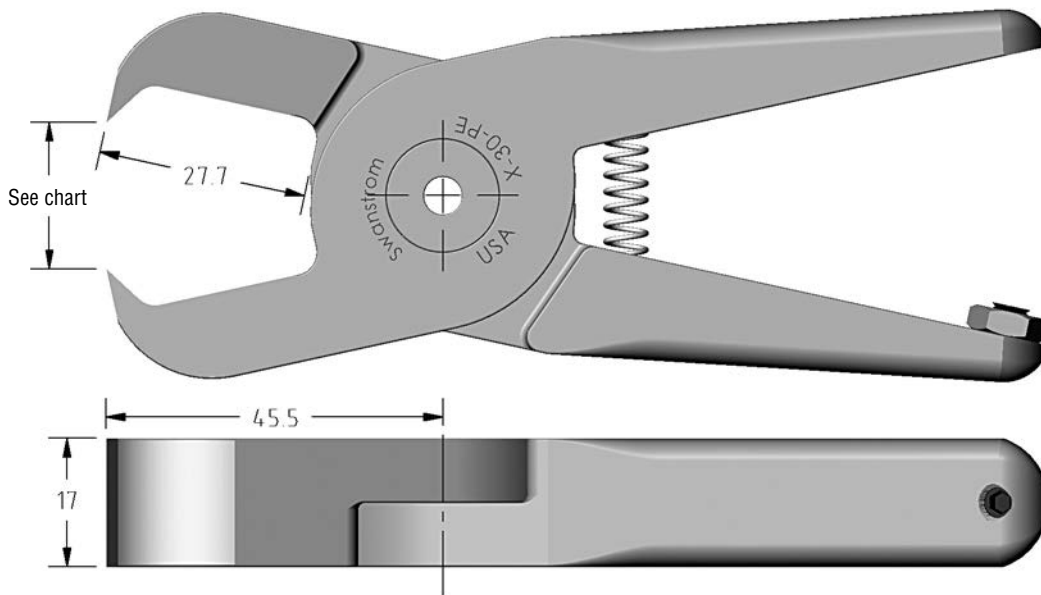


Vessel

Quick#	Part#	Price	Ø Sprue	Wt.
615	GSN-N30-AE	\$144.00	14mm	386g
Replacement Spring				
1285	SPR-05	\$2.20		

Size 50 Nipper Body Tip to Tip Opening*

Vessel	Gimatic	Swanstrom	Nile	OEM
No	20mm	22mm	20.5mm	20mm



Swanstrom

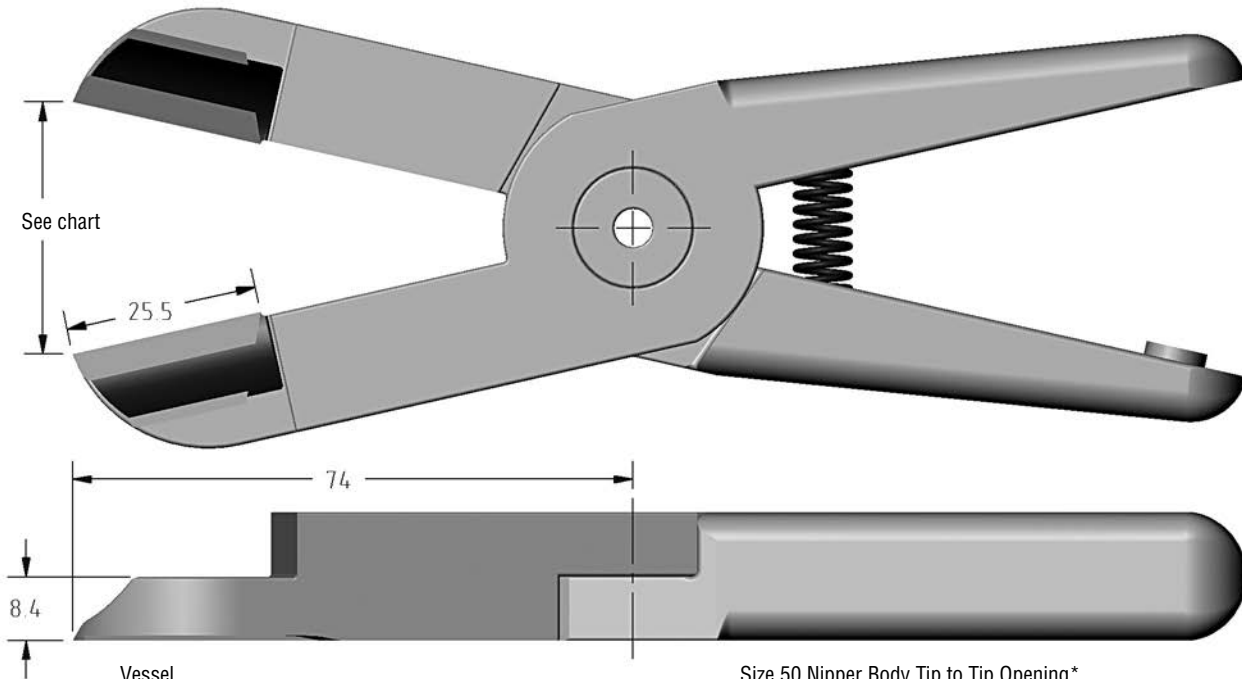
Quick#	Part#	Price	Ø Sprue	Wt.
1015	X-30-PE	\$135.00	14mm	374g
Replacement Spring				
1043	GSN-SP-031	\$2.60		

Size 50 Nipper Body Tip to Tip Opening*

Vessel	Gimatic	Swanstrom	Nile	OEM
No	19mm	21mm	19.5mm	19mm

Blades for Size 50 Nippers

(Dimensioned drawings shown full scale)

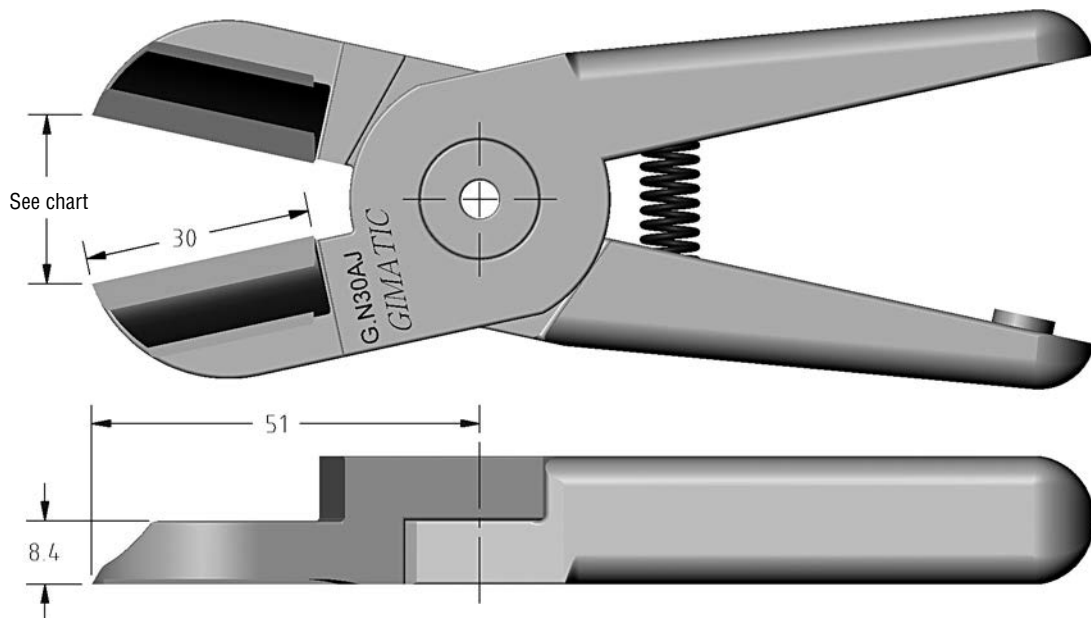


Vessel

Quick#	Part#	Price	Ø Sprue	Wt.
614	GSN-N30-AJL	\$188.00	18mm	470g
Replacement Spring				
1285	SPR-05	\$2.20		

Size 50 Nipper Body Tip to Tip Opening*

Vessel	Gimatic	Swanstrom	Nile	OEM
No	33.5mm	37mm	34.5mm	33.5mm



Gimatic

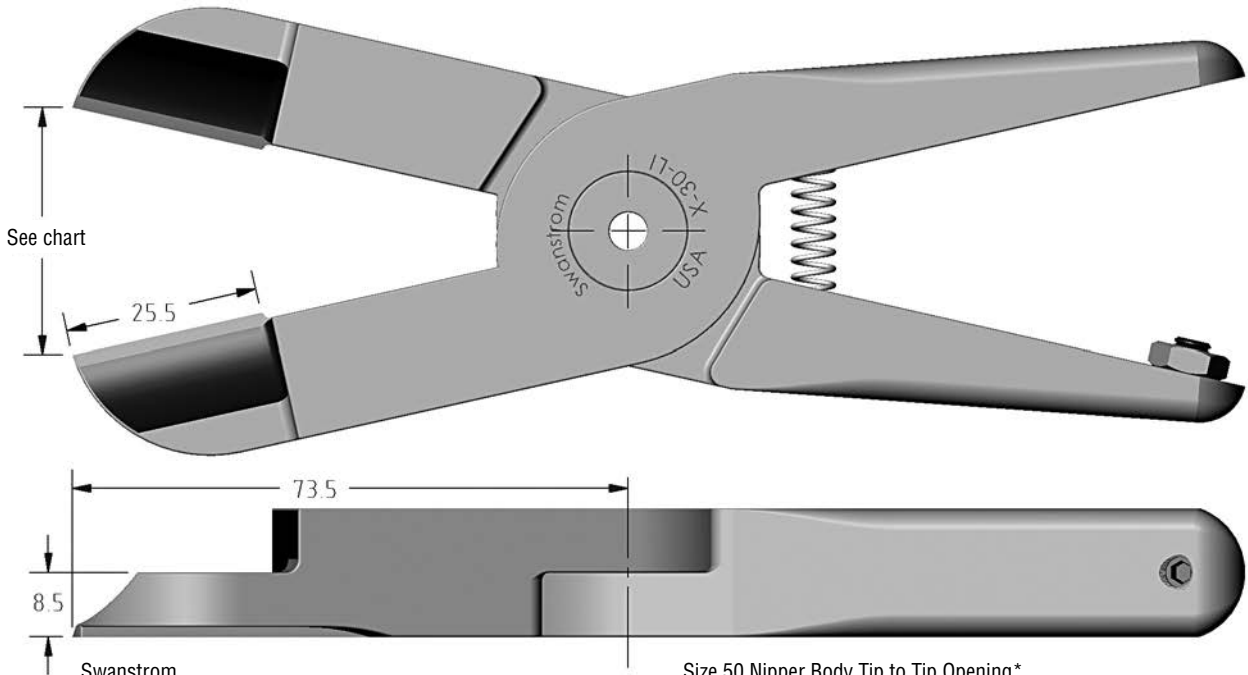
Quick#	Part#	Price	Ø Sprue	Wt.
5032	GN30AJ	\$144.00	18mm	368g
Replacement Spring				
1285	SPR-05	\$2.20		

Size 50 Nipper Body Tip to Tip Opening*

Vessel	Gimatic	Swanstrom	Nile	OEM
No	22mm	25mm	23.5mm	22mm

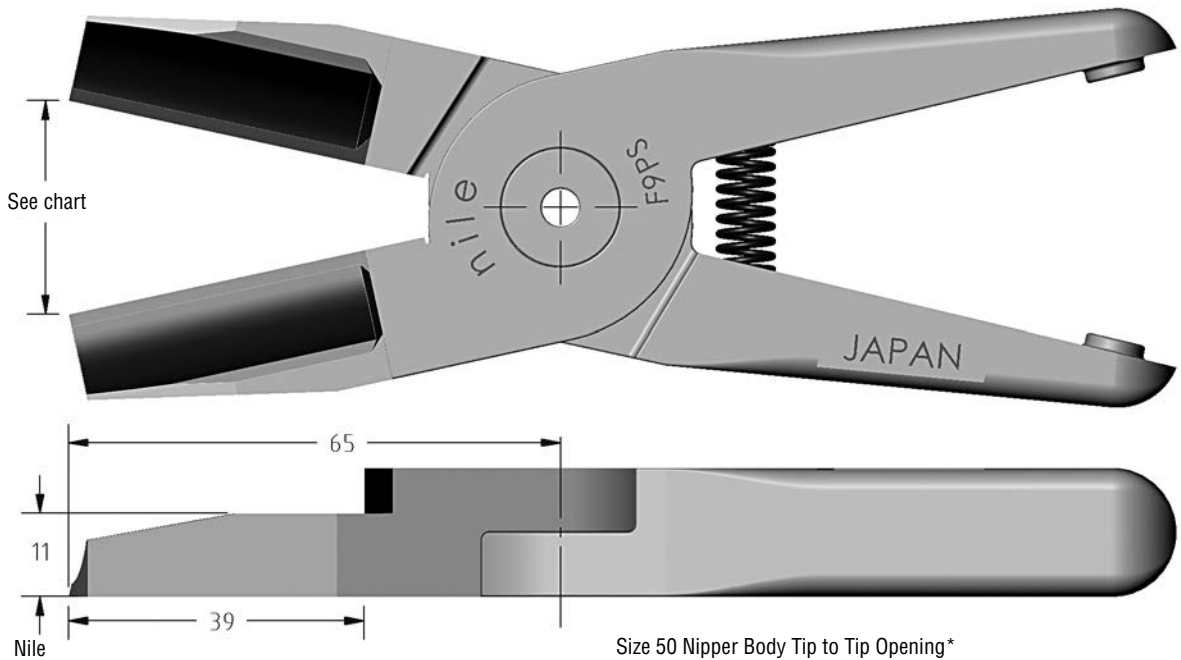
Blades for Size 50 Nippers

(Dimensioned drawings shown full scale)



Quick#	Part#	Price	Ø Sprue	Wt.
1014	X-30-LI	\$172.00	18mm	464g
Replacement Spring				
1043	GSN-SP-031	\$2.60		

Vessel	Gimatic	Swanstrom	Nile	OEM
No	32.5mm	35.5mm	33.5mm	32.5mm

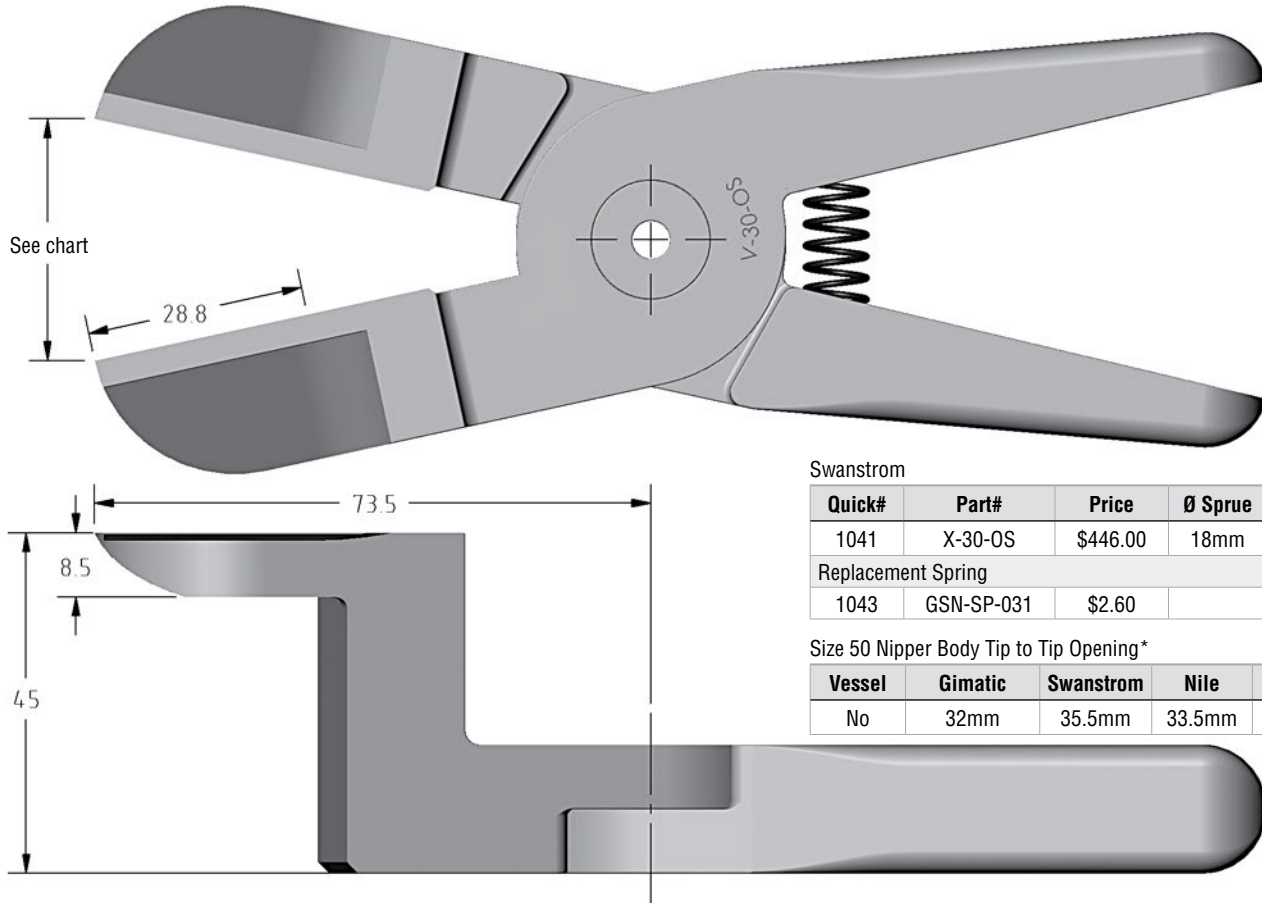


Quick#	Part#	Price	Ø Sprue	Wt.
1574	GSN-F9PS	\$101.50	18mm	404g
Replacement Spring				
2301	855-3090	\$2.09		

Vessel	Gimatic	Swanstrom	Nile	OEM
No	28mm	35mm	29.5mm	28mm

Blades for Size 50 Nippers

(Dimensioned drawings shown full scale)

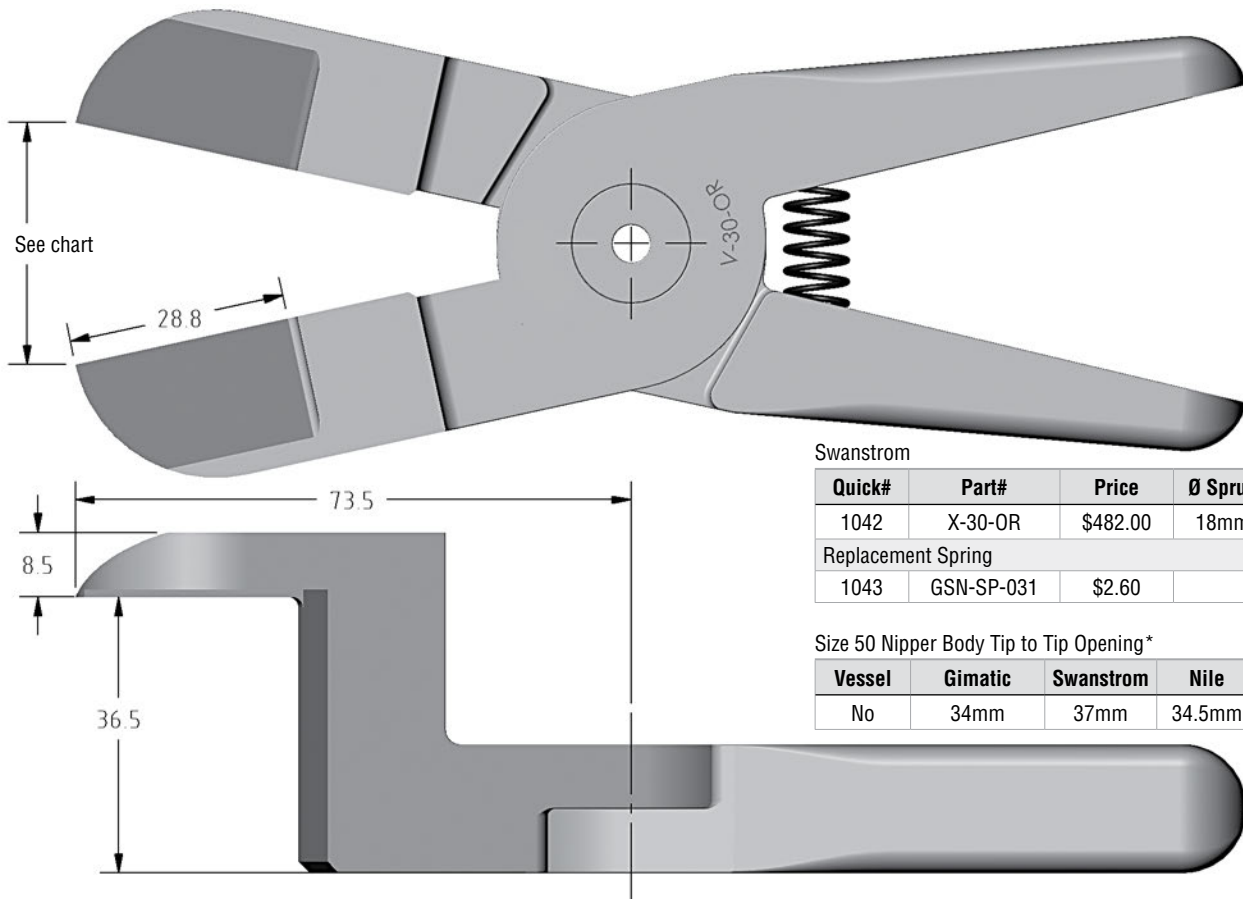


Swanstrom

Quick#	Part#	Price	Ø Sprue	Wt.
1041	X-30-OS	\$446.00	18mm	494g
Replacement Spring				
1043	GSN-SP-031	\$2.60		

Size 50 Nipper Body Tip to Tip Opening*

Vessel	Gimatic	Swanstrom	Nile	OEM
No	32mm	35.5mm	33.5mm	32mm



Swanstrom

Quick#	Part#	Price	Ø Sprue	Wt.
1042	X-30-OR	\$482.00	18mm	494g
Replacement Spring				
1043	GSN-SP-031	\$2.60		

Size 50 Nipper Body Tip to Tip Opening*

Vessel	Gimatic	Swanstrom	Nile	OEM
No	34mm	37mm	34.5mm	34mm