

Swanstrom Nippers



Swanstrom® nippers are top quality and perform reliably. The nipper body housings are made of aluminum, and are lighter than comparable nippers. Swanstrom nippers have two available input ports for compressed air. Use one while the other is plugged.

These are a very nice “Made in the USA” nipper alternative at a competitive price.

Full list of Replacement Parts found online, search by Quick#.



Fittings Available on page 1043

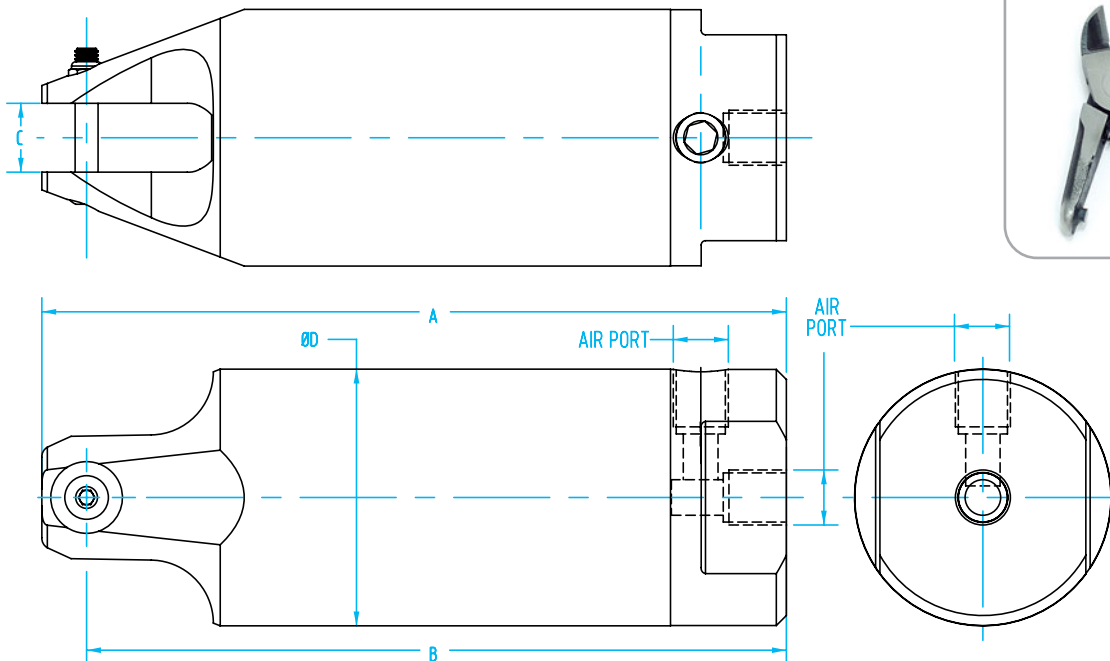


Swanstrom Standard Nippers - (Order blades separately)

Quick#	Part#	Price	Sprue Ø Cut	A	ØD	B	C	Cutting Pressure*	Working Air Pressure	Air Port	Weight
5041	SPT-05R	\$223.00	2mm	95	30	90	7	88 lbf	57–71 psi	G1/8"	106g
5042	SPT-10R	\$248.00	4mm	114	36	110	12	132 lbf	57–85 psi	G1/8"	162g
5043	SPT-20R	\$265.00	7mm	130	45	126	12	308 lbf	71–85 psi	G1/8"	272g
5045	SPT-30R	\$288.00	10mm	166	56	163	17	617 lbf	71–85 psi	G1/8"	508g
5046	SPT-50R	\$628.00	12mm	171	75	170	17	1058 lbf	71–85 psi	NPT1/4"	896g

* Force when compressed air is supplied at recommended psi.

Use Quick#s for easy online ordering.



Order blades on pages 858–902.



Note: Rotating endcap can change the orientation of the air inlet port.