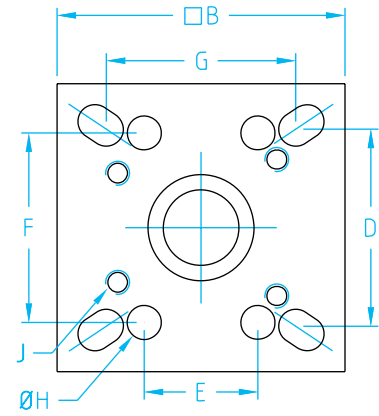
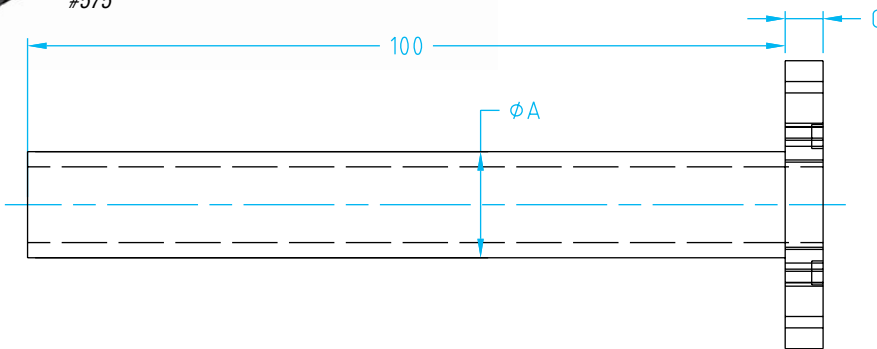
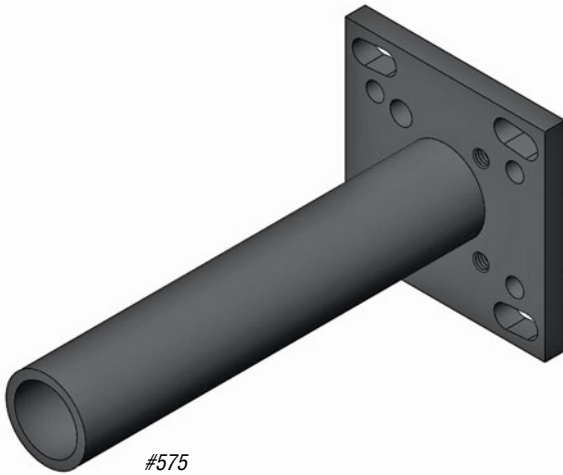


NF & NY Nipper Mounting Brackets

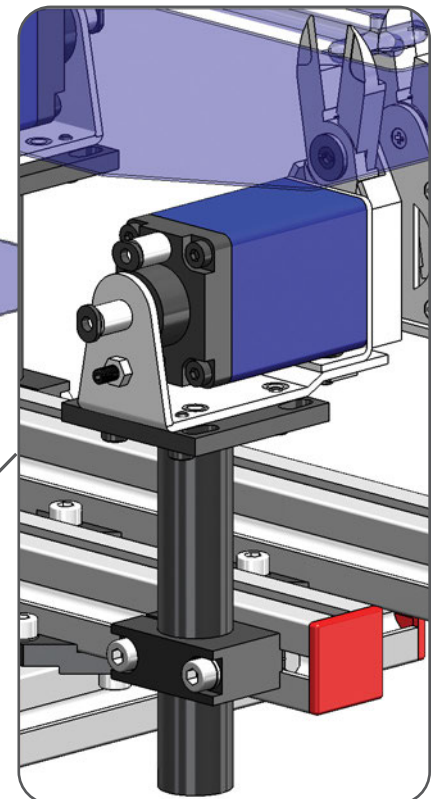
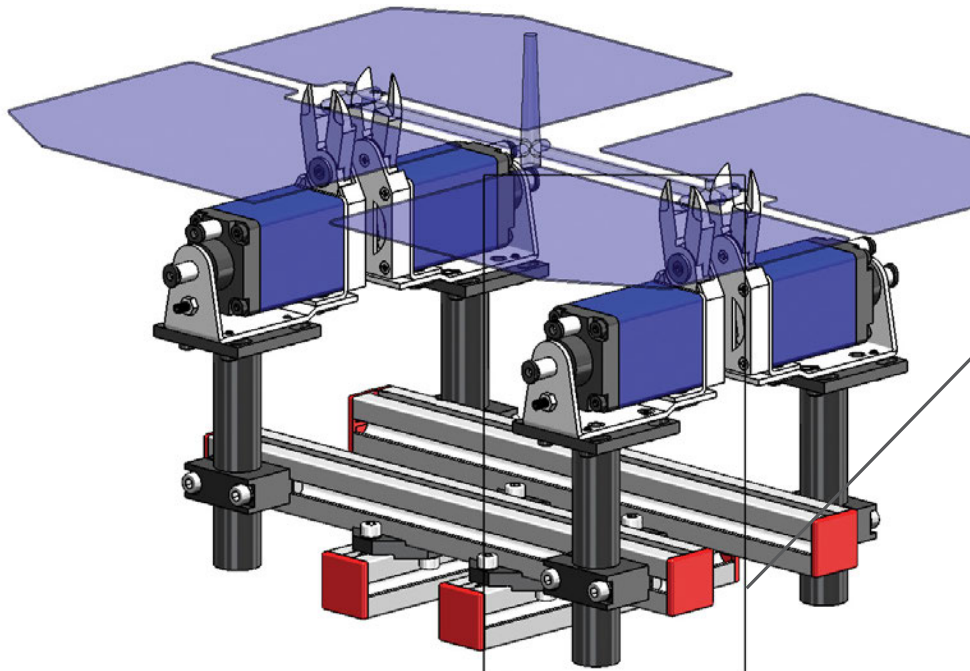


Round Mounting Brackets

Quick#	Part#	Use with	Wt.	Price	ϕA	B	C	D	E	F	G	H	J
573	GSC-RMB-2	NF05	24g	\$22.63	14	26	3	18	17	-	-	3.5	-
574	GSC-RMB-3	NY05, NF15	36g	\$22.69	14	38	5	26	15	25	25	4.5	M3
575	GSC-RMB-4	NY15, NY25	58g	\$23.67	20	50	5	40	30	35	25	5.5	M4

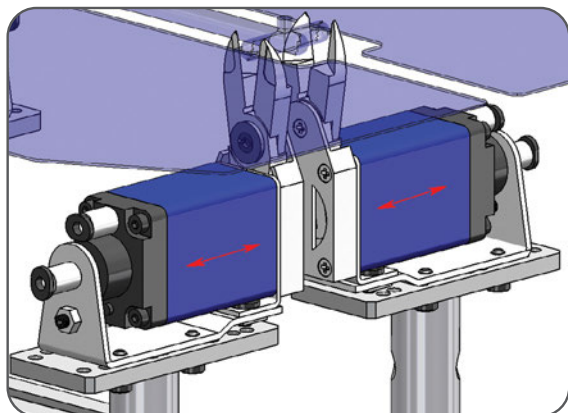
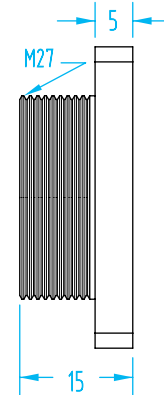
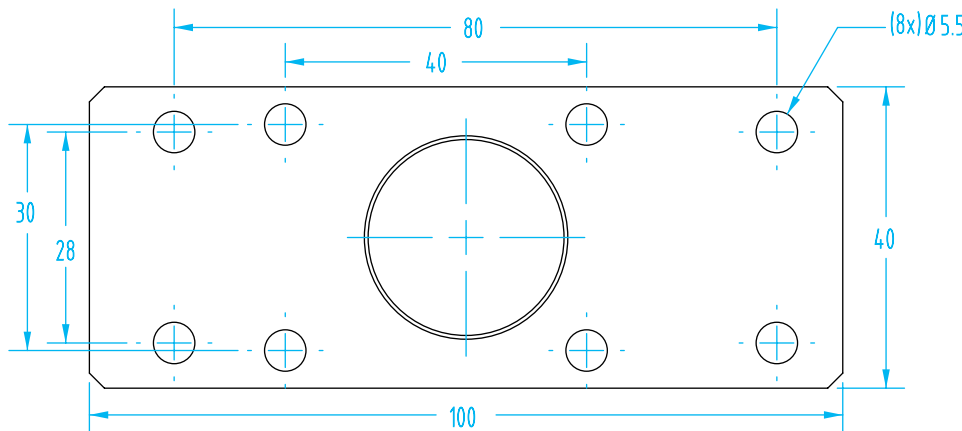
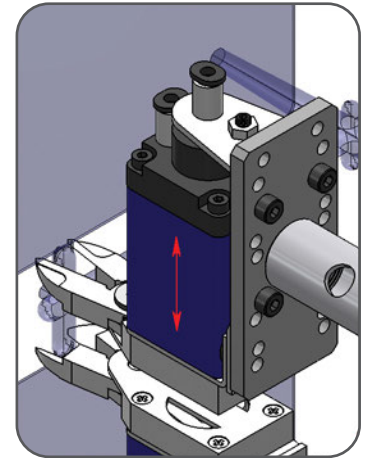
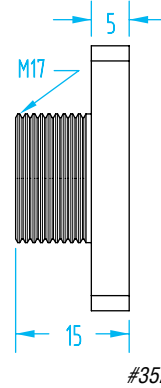
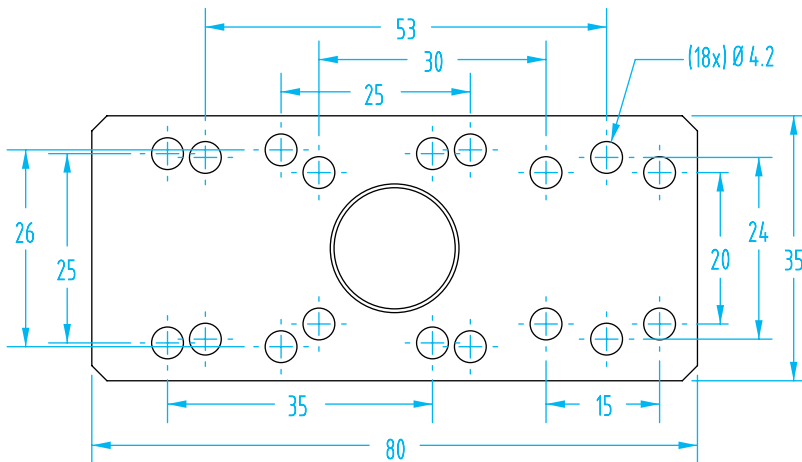
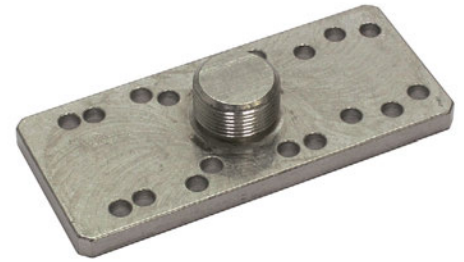
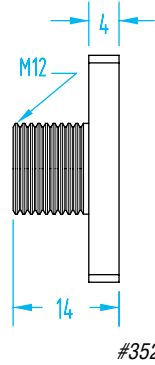
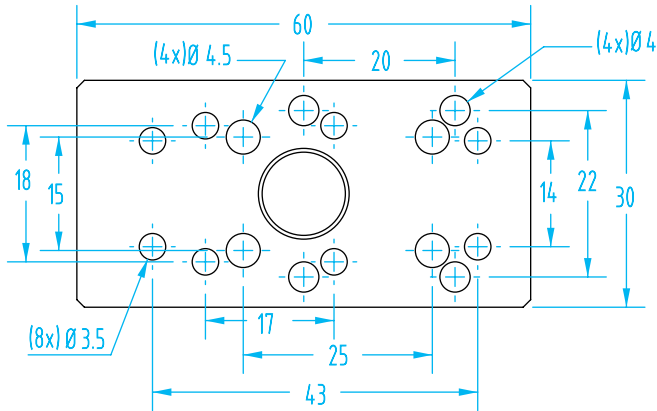
Order mounting screws separately. See page 1077.

Application Example



NF, NY, & NT Mounting Brackets

(Dimensioned drawings shown full scale)



Mounting Plates

Quick#	Part#	Price	Use With
3525	ASZ-HP-10	\$33.60	NY05-4, NT03-4, NF05, NF10
3526	ASZ-HP-20	\$35.70	NT05-4, NT10-6, NY10-4, NY15-4, NY15
3527	ASZ-HP-30	\$37.80	NT20-6, NY25-6

Order mounting screws separately. See page 1077.
Extension Tubes available on page 262 and 217.