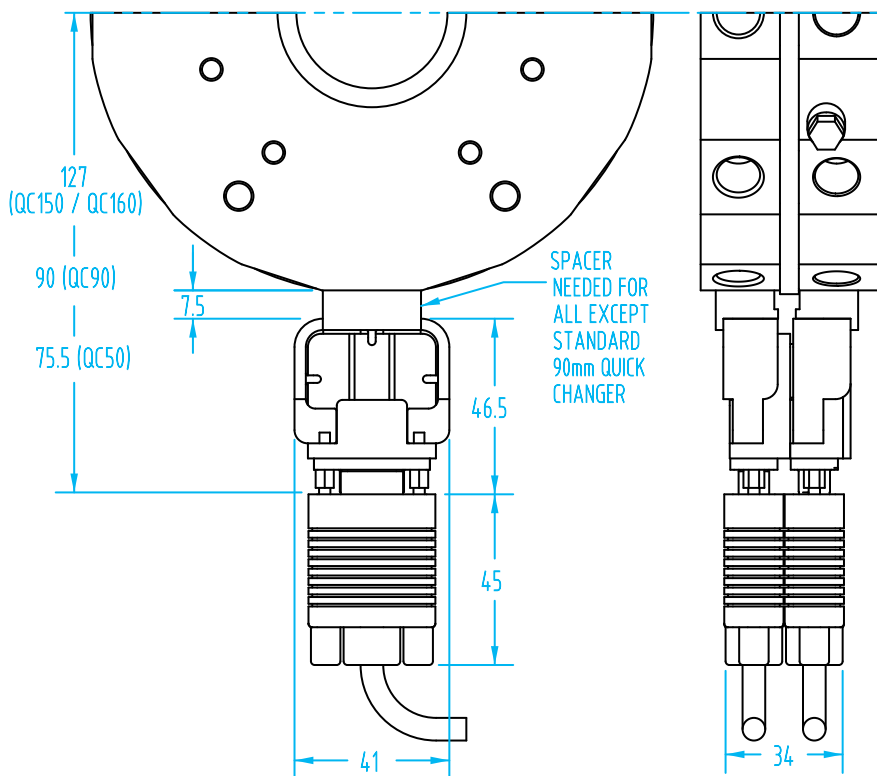
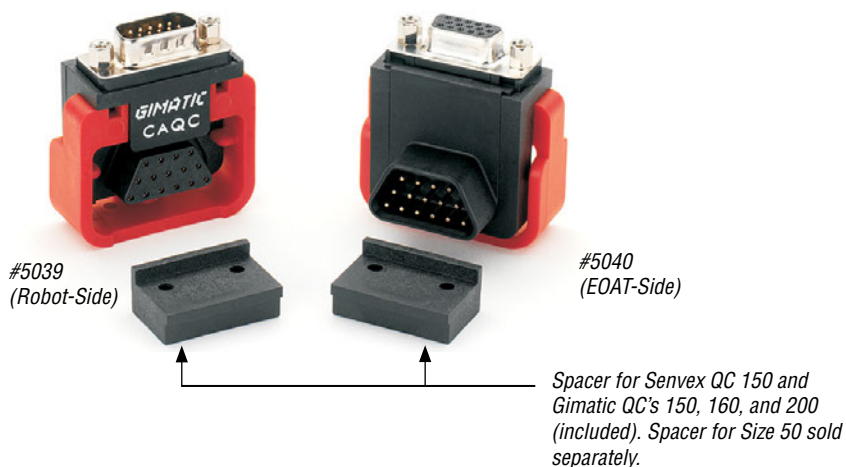


Electrical Connectors

(Dimensioned drawing reduced to fit)



- Uses standard 15-pin D-sub cables, sold separately on page 32.
- Suitable for use with >ASS<, Senvex / WGS, & Gimatic Quick Changers.
- Excellent electrical contact between male and female connectors.
- Spacer for Senvex and >ASS< QC 150 and Gimatic QC's 150, 160, and 200 is included. Spacers for Small Size 50 QC's sold separately on page 31.
- Dimensional drawings for #7607/#7608 & #7456/#7457 can be found online: www.EMICorp.com & search by Quick #.

Electrical Connectors

Part#	CAQC	CBQC	MAQC	MBQC	PAQC	PBQC	PMAQC	PMBQC
Quick#	5039	5040	5060	5059	7607	7608	7456	7457
Price	\$82.00	\$46.00	\$79.00	\$40.00	\$73.17	\$73.17	\$79.00	\$79.00
Weight	30g	30g	30g	30g	50g	50g	50g	50g
Contact	Gold plated		Gold plated spring contacts		Gold plated		Gold plated spring contacts	
Description	Robot-Side	EOAT-Side	Robot-Side	EOAT-Side	Robot-Side	EOAT-Side	Robot-Side	EOAT-Side
I/O connection type	15-pin D-sub, high density elbow type, VGA type							
Maximum contact resistance	30 mΩ @ 100 mA DC							
Minimum insulation resistance	500 MΩ @ 500 V DC							
Working current	3A							
Break down voltage	1000 V AC (1 minute)							
Operating temperature	0° – 200°F							

Electrical Connectors

Note: While you can use any of these electrical connectors as well as the connectors on page 33 with the round Quick Changers listed in this catalog, you must order the same style EOAT & Robot side connectors for a proper operation.

Standard Electrical Connector



#5039
(Robot-Side)

#5040
(EOAT-Side)

Electrical Connector with Spring Contacts

NEW



#5060
(Robot-Side)

#5059
(EOAT-Side)

Standard 90° Electrical Connector

NEW

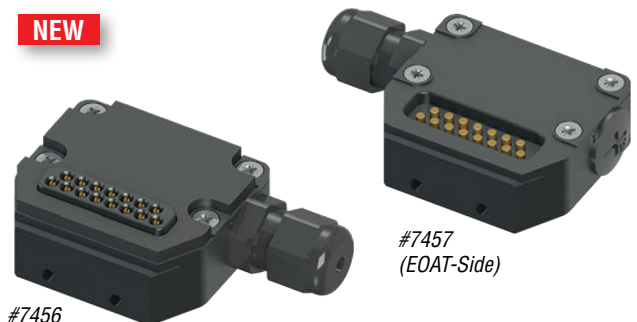


#7607
(Robot-Side)

#7608
(EOAT-Side)

90° Electrical Connector with Spring Contacts

NEW



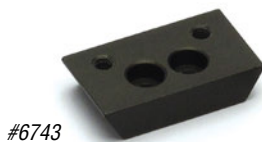
#7456
(Robot-Side)

#7457
(EOAT-Side)

These 90° electrical connectors are not compatible with the WGS / Senvex electrical connectors on page 33.

MAQC / MBQC & PMAQC / PMBQC: Spring contact design helps avoid damage to contacts. The spring assists in maintaining connection through constant compression and pin geometry. This provides simpler and easier coupling through self-aligning geometry.

- Spacers include mounting hardware.



#6743

Gimatic Spacer for Electrical Connectors

Quick#	Part#	Required for:	Price
6743	QC50-K	Small Size (50mm)	\$16.64



#3836

>ASS< Spacer for Electrical Connectors

Quick#	Part#	>ASS< #	Required for:	Price
3836	SWH-DS-50	1-025-05-00	Small Size (50mm)	\$22.58

Electrical Connection Cables and Cable Connectors

(Dimensioned drawings shown full scale)

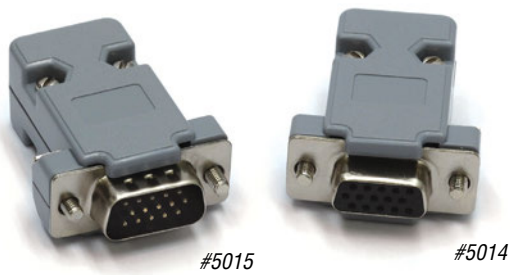


Extra Strength Double Housing (Aluminum)

Quick#	Part#	Description	Price
5345	CAQC-Double	Robot-Side (#5039 & #5060)	\$67.60
5346	CBQC-Double	EOAT-Side (#5040 & 5059)	\$67.60

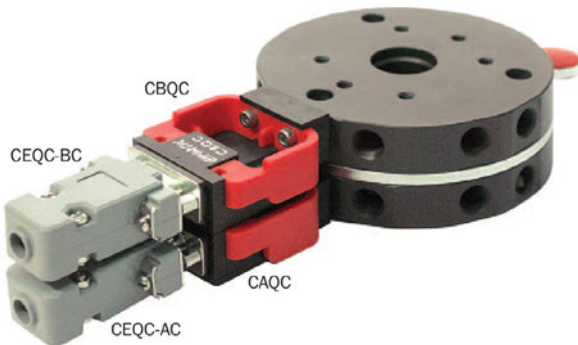
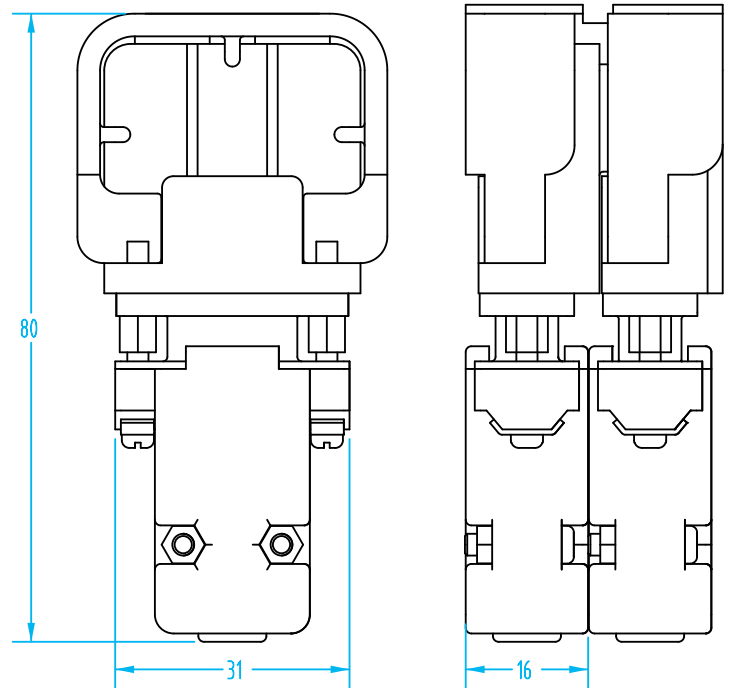
Extra Strength Single Housing (Aluminum)

Quick#	Part#	Description	Price
5343	CAQC-Strong	Robot-Side (#5039 & #5060)	\$35.36
5344	CBQC-Strong	EOAT-Side (#5040 & 5059)	\$35.36



Cabling Connectors (15-pin D-SUB - VGA Type)

Quick#	Part#	Description	Price
5014	CEQC-AC	Robot-Side	\$7.88
5015	CEQC-BC	EOAT-Side	\$7.88



These cabling connectors require you to solder the cable wires to the connector. (Cable not included.)



Electrical Connection Cables (1.5 meter each)

Quick#	Part#	Description	Price
6070	CEQC-A	Robot-Side	\$21.84
6071	CEQC-B	EOAT-Side	\$21.84

>ASS< & WGS / Senvex Electrical Connectors

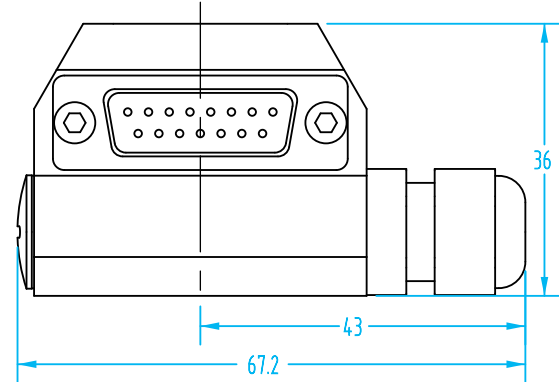
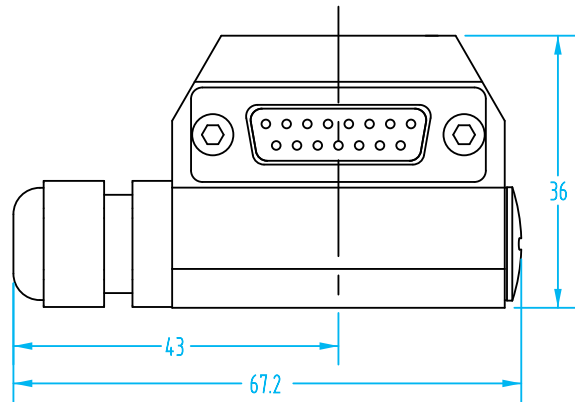
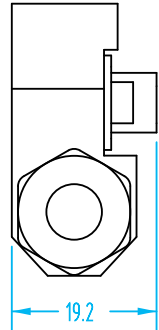
(Dimensioned drawings shown full scale)

- Suitable for use with >ASS<, Senvex / WGS, & Gimatic Quick Changers. (see note on page 31.)
- Certain Quick Changer sizes require spacers for the electrical connectors, listed below.
- Each supplied with 500mm long cable.

Low-Profile Electrical Connectors

Quick#	Part#	Description	Price
502	WGS-QLEKRD	Robot-Side	\$81.00
503	WGS-QLEKGD	EOAT-Side	\$81.00

These low-profile 90° electrical connectors are not compatible with the Gimatic electrical connectors on page 30–31.



- All spacers include mounting hardware.



Senvex Spacer for Electrical Connectors

Quick#	Part#	Required for:	Price
504	WGS-QLEKD	Large Size (150mm)	\$9.50



>ASS< Spacer for Electrical Connectors

Quick#	Part#	>ASS< #	Required for:	Price
3836	SWH-DS-50	1-025-05-00	Small Size (50mm)	\$22.58
3837	SWH-DS-150	1-025-15-00	Large Size (150mm)	\$22.58



Gimatic Spacer for Electrical Connectors

Quick#	Part#	Required for:	Price
6743	QC50-K	Small Size (50mm)	\$16.64