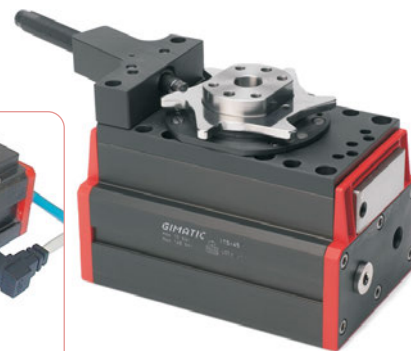


Index Tables – ITSC

- Available in two sizes with 4, 6 or 8 positions.
- Available in clockwise or counter clockwise (ending -A).
- High torque
- Suitable for heavy loads.
- Thru-hole for cables and hoses.
- We recommend the use of exhaust flow controls (not included) to achieve the desired speed. See page 801.
- Shock absorbers and cam crown for ITSC-45.. are recommended for dissipating kinetic energy and are not included.



ITSC-16... with sensor



ITSC-45... with shock absorber

Clockwise	Part#	ITSC-164	ITSC-166	ITSC-168	ITSC-454	ITSC-456	ITSC-458
	Quick#	6155	6157	6159	6161	6163	6165
Counter-clock	Part#	ITSC-164A	ITSC-166A	ITSC-168A	ITSC-454A	ITSC-456A	ITSC-458A
	Quick#	6156	6158	6160	6162	6164	6166
Price		\$489.00	\$489.00	\$489.00	\$1,067.00	\$1,067.00	\$1,067.00
Swiveling angle		4x90°	6x60°	8x45°	4x90°	6x60°	8x45°
Weight		320g	320g	320g	3900g	3900g	3900g
Medium		Filtered lubricated / non lubricated compressed					
Pressure range		36–116 psi					
Air consumption		8 cm ³ x 90°	7 cm ³ x 60°	7 cm ³ x 45°	159 cm ³ x 90°	146 cm ³ x 60°	136 cm ³ x 45°
Indexing time without load		0.10s x 90°	0.08s x 60°	0.06s x 45°	0.15s x 90°	0.12s x 60°	0.09s x 45°
Theoretical torque at 87 psi		12 in-lbf	15 in-lbf	16 in-lbf	203 in-lbf	234 in-lbf	250 in-lbf
Angular precision		±0.12°					
Positioning repeatability (360°)		±0.02°					
Shock absorber		-	-	-	6167	6167	6177
Cam crown		-	-	-	6168	6169	6170

Shock-absorbers: Accessories for ITSC...45... are available to dissipate kinetic energy by means of one or two shock-absorbers. They allow shorter indexing times. Dimensional drawings for these parts can be found on our website by searching by quick number.



Part#	ITSC-45-DE	ITSC-45-S4	ITSC-45-S6	ITSC-45-S8
Quick#	6167	6168	6169	6170
Description	shock absorber with housing	4-cam crown	6-cam crown	8-cam crown
Weight	290g	90g	105g	120g
To use on:	ITSC-45...	ITSC-454, ITSC-454-A	ITSC-456, ITSC-456-A	ITSC-458, ITSC-458-A
Price	\$363.00	\$72.28	\$72.28	\$72.28

Sensors: The operating position can be checked by sensors (optional). These sensors will detect the magnets on the pistons inside. Therefore a near large mass of ferromagnetic material or intense magnetic fields may cause sensing troubles.

Quick#	Part#	Signal	Description	Price
6126	CB3N2-G	PNP	3 Wire CB Style REED w/ M8 Connection	\$22.88
1794	CB3M2-G	NPN		\$22.88

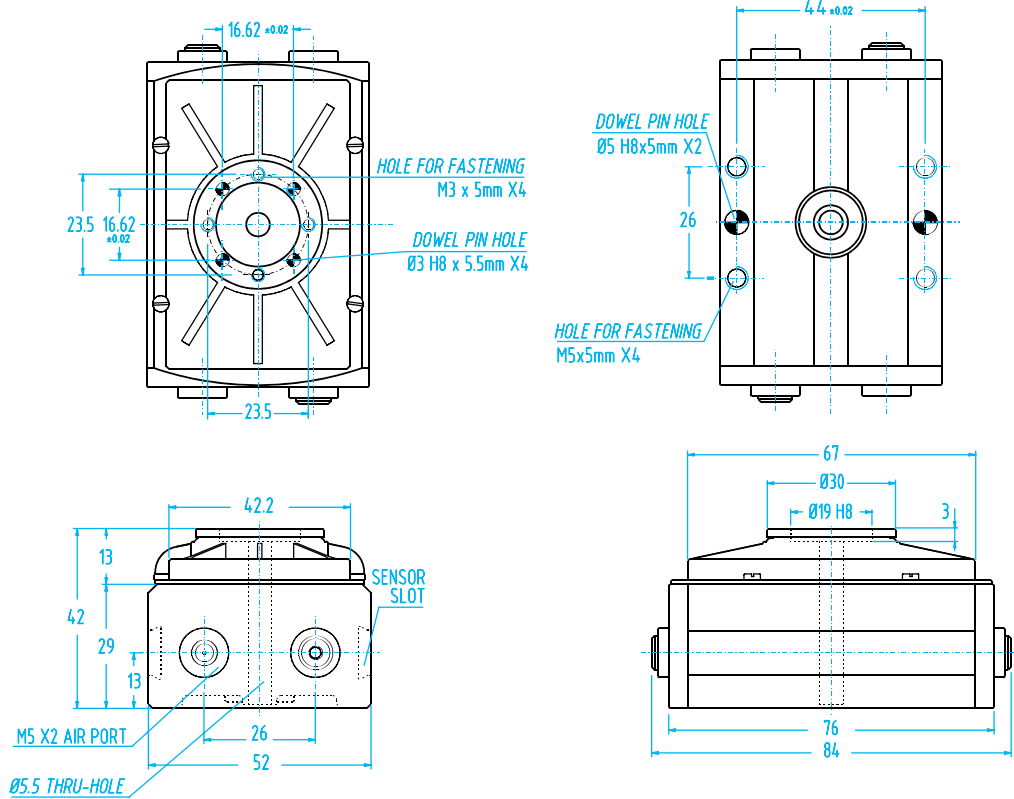
See page 1003 for more information about CB3.. sensors

For more information see www.EMlcorp.com

Index Tables – ITSC

(Dimensioned drawing reduced to fit)

ITSC-16...



ITSC-45...

