

Harmo® Rotary Actuators – Shaft Style

- Low-profile, high-torque from elliptical position.
- Separate cushion, angle, and backlash adjustments.
- Sensor ready.
- Air connections are M5 - Full dimensional drawings found online.



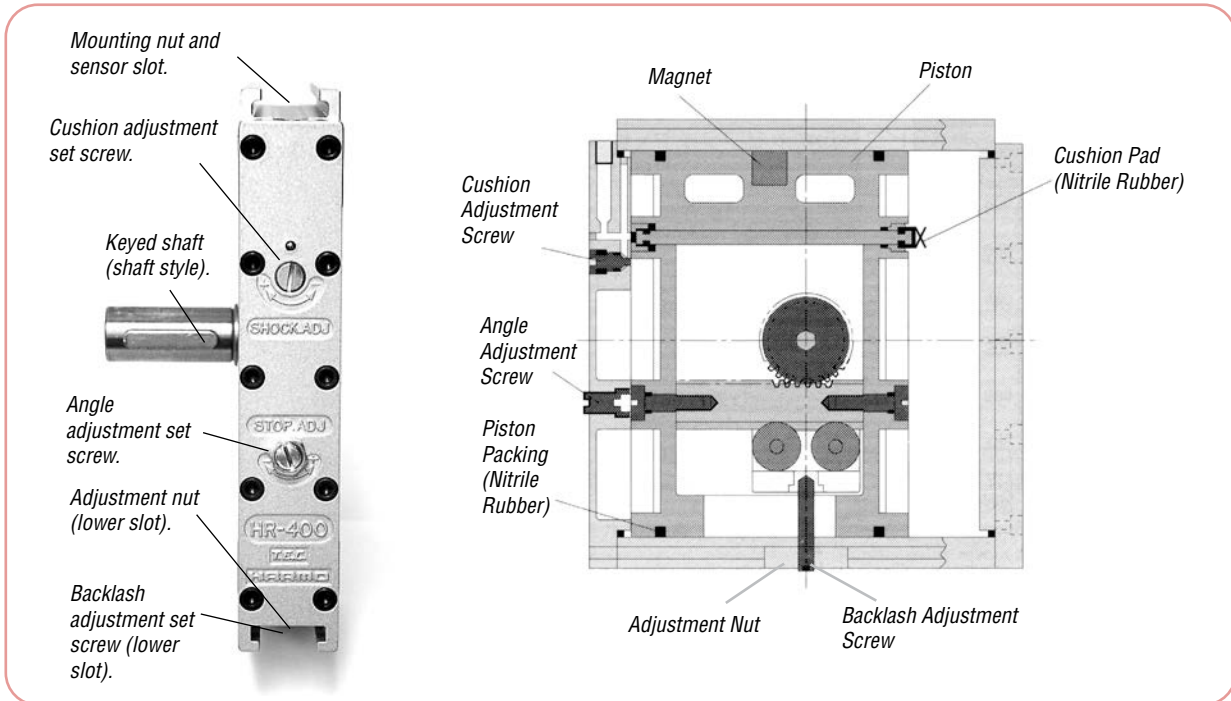
Harmo Rotary Actuators - Shaft Style

Quick#	Part#	Rotation	Torque	Allowable Radial Load (lbf)	Allowable Thrust Load (lbf)	Weight	Price
1105	GSG-HR200-90	0–90°–95°	16.8 in-lb	5.96	5.96	400g	\$355.00
1106	GSG-HR400-90	0–90°–95°	52.8 in-lb	10.14	5.96	850g	\$360.00
722	GSG-HR400-180	0–180°–185°	52.8 in-lb	10.14	5.96	1050g	\$390.01
Order Sensors Separately							
6126	CB3N2G	PNP, 3-Wire CB Style Sensor with M8 Connector					\$22.00
1794	CB3M2G	NPN, 3-Wire CB Style Sensor with M8 Connector					\$22.00

Note: Rotary Actuators come with Sensor Adaptor Bracket.

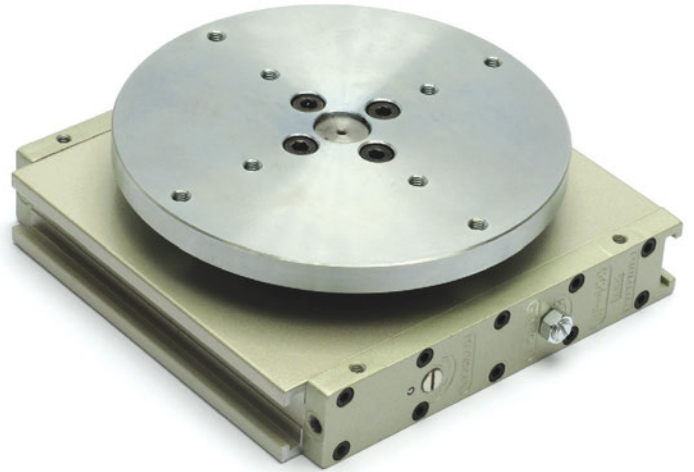
Mounting Nuts (4 per pack - dimensions found online)

Quick#	Part#	Fits Size	Price
725	GSG-HR200-MH	200	\$42.00
726	GSG-HR400-MH	400	\$43.00



Harmo® Rotary Actuators – Disk Style

- Feature ultra-thin size and high power because they utilize a long elliptical piston
- The internal rack and pinion are made of steel for long life and precise operation
- Separate adjustments provide control for cushion, angle, and backlash
- Speed control valves are available
- An internal magnet is standard on all units for sensing
- Air connections are M5 - Full dimensional drawings found online.



Harmo Rotary Actuators - Disk Style

Quick#	Part#	Rotation	Torque	Allowable Radial Load (lbf)	Allowable Thrust Load (lbf)	Weight	Price
723	GSG-HR200-90D	0–90°–95°	16.8 in-lb	5.96	5.96	600g	\$443.00
1109	GSG-HR400-90D	0–90°–95°	52.8 in-lb	10.14	5.96	1600g	\$448.00
724	GSG-HR400-180D	0–180°–185°	52.8 in-lb	10.14	5.96	1800g	\$478.01
Order Sensors Separately							
6126	CB3N2-G	PNP, 3-Wire CB Style Sensor with M8 Connector					\$22.00
1794	CB3M2-G	NPN, 3-Wire CB Style Sensor with M8 Connector					\$22.00

Note: Rotary Actuators come with Sensor Adaptor Bracket.

Mounting Nuts (4 per pack - dimensions found online)

Quick#	Part#	Fits Size	Price
725	GSG-HR200-MH	200	\$42.00
726	GSG-HR400-MH	400	\$43.00

*Fittings Available
on page 1043*

