

Gimatic Teachable Sensors – PRO

Gimatic PRO-SS and PRO-SN 5-Wire sensors are digital magnetoresistive sensors with up to 3 programmable output signals, for example: gripper fully open, gripper fully closed, and part gripped.

Configuring the outputs is achieved through a simple one-button interface. It includes a TEACH button and various LED lights, one for power and one for each output signal: 1, 2, and 3. For more details on programming, we have a Programming Procedure that can be found online at: www.EMICorp.com.

- Highly accurate, this sensor is ideal for part confirmation/mid-stroke detection for any size gripper.
- Easy single button programming.
- Ideal for applications where space is limited and multiple output signals are needed.
- For Gimatic C shaped sensor slots and fixed in place with set screw.
- Each output can be independently configured to Normally Open or Normally Closed and is clearly identified by LEDs.
- Wide +/- 30mm sensing range (relative to the magnet and the sensor).
- Adaptor cable #7527 is available for splitting the single 8-pin M8 connector into 3x3-pin M8 connectors. Extension cable #2581 is available to assist with wiring.



SS.. Programmable Magnetic Sensors for C-Slots

Quick#	Part#	Signal	Style	Description	Wt.	Price
7521	PRO-SS4N225G	PNP	Straight	with leads, 12/24 Vdc, 0.2 A, PUR cable, 2.5m long	50g	\$70.00
7522	PRO-SS4M225G	NPN			50g	\$70.00
7525	PRO-SS3N215G	PNP		with M8 8-pin Connector, 12/24 Vdc, 0.2 A, PUR cable, 1.5m long	70g	\$92.00
7625	PRO-SS3M215G	NPN			70g	\$92.00

SN.. Programmable Magnetic Sensors for C-Slots

Quick#	Part#	Signal	Style	Description	Wt.	Price
7523	PRO-SN4N225G	PNP	90°	with leads, 12/24 Vdc, 0.2 A, PUR cable, 2.5m long	50g	\$70.00
7524	PRO-SN4M225G	NPN			50g	\$70.00
7526	PRO-SN3N215G	PNP		with M8 8-pin Connector, 12/24 Vdc, 0.2 A, PUR cable, 1.5m long	70g	\$92.00
7626	PRO-SN3M215G	NPN			70g	\$92.00

SN..HSG Programmable Magnetic Sensors for New Style SGP-S Grippers

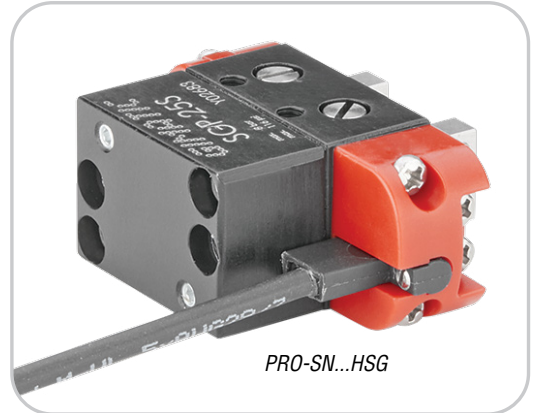
Quick#	Part#	Signal	Style	Description	Wt.	Price
7635	PRO-SN4N225HSG	PNP	90°	with leads, 12/24 Vdc, 0.2 A, PUR cable, 2.5m long	50g	\$70.00
7636	PRO-SN4M225HSG	NPN			50g	\$70.00
7633	PRO-SN3N215HSG	PNP		with M8 8-pin Connector, 12/24 Vdc, 0.2 A, PUR cable, 1.5m long	70g	\$80.00
7634	PRO-SN3M215HSG	NPN			70g	\$80.00

SSR.. Programmable Magnetic Sensors with 2 Programmable Positions & 1 Driven by NOR logic gate

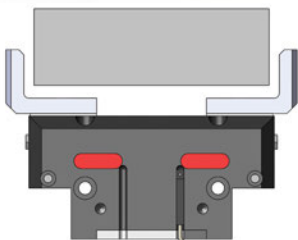
Quick#	Part#	Signal	Style	Description	Wt.	Price
7644	PRO-SSR4N225G	PNP	Straight	with leads, 12/24 Vdc, 0.2 A, PUR cable, 2.5m long	50g	\$70.00
7645	PRO-SSR4M225G	NPN			50g	\$70.00
7646	PRO-SSR3N215G	PNP		with M8 8-pin Connector, 12/24 Vdc, 0.2 A, PUR cable, 1.5m long	70g	\$87.00
7647	PRO-SSR3M215G	NPN			70g	\$87.00

Gimatic Teachable Sensors – PRO

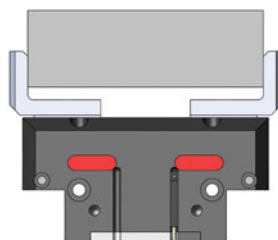
Watch our Teachable PRO SN/SS Sensor YouTube video!
 Follow us at: www.youtube.com/EMICorpVideo



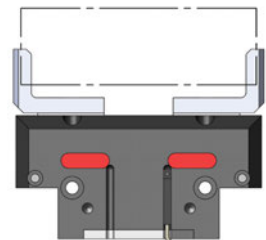
Output - Gripper Open:



Output 2 - Gripper Mid-Stroke: (Part Gripped)



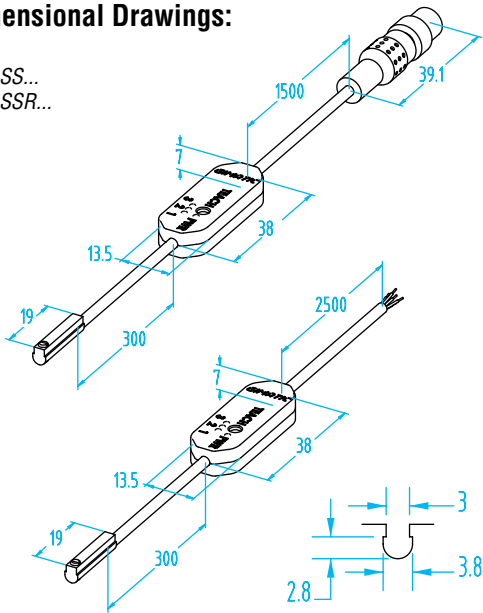
Output 3 - Gripper Closed: (Part Missed)



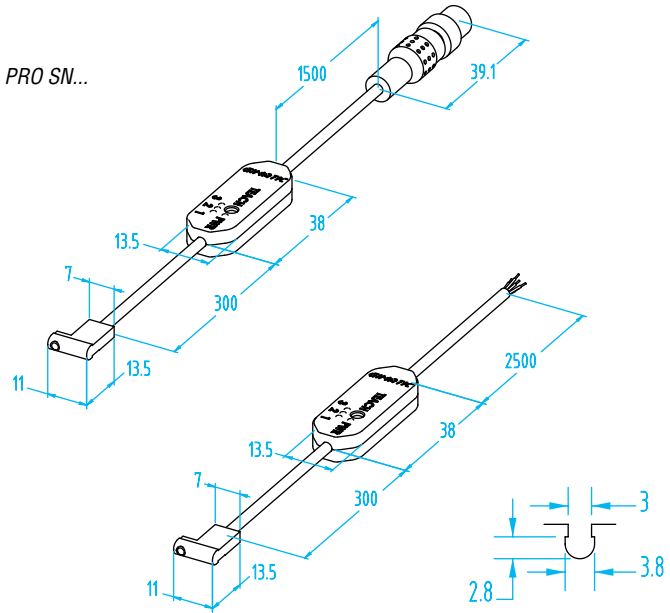
Gimatic Teachable Sensors – PRO

Dimensional Drawings:

PRO SS...
PRO SSR...

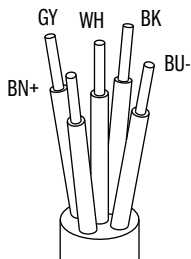


PRO SN...

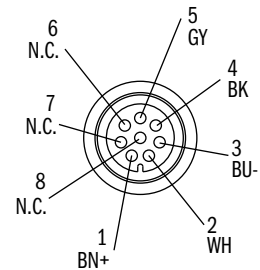
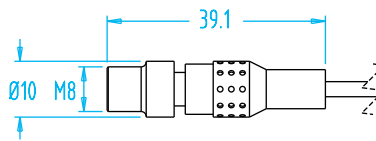


Wiring Diagram:

with Leads:

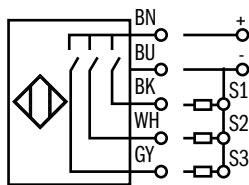


with M8 8-pin Connector:

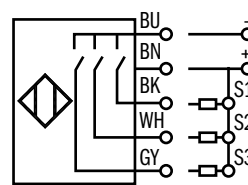


Connections:


PNP:



NPN:



Product Detail



7521 Gimatic 5-Wire Teachable C-Slot PNP Sensor with 2.5m lead

Gimatic PRO-SS sensors are digital magnetoresistive sensors with up to 3 programmable output signals that fit in Gimatic C shaped sensor slots. When the programmed switched position is reached, the corresponding output is activated, and its status is indicated visually with the LEDs.

Item #:PRO SS4N225G
\$70.00 Each

Quantity:

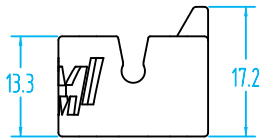
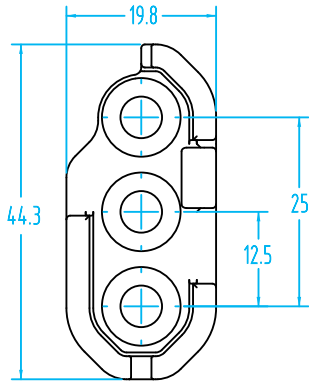
[Add To Cart](#)

Available: In Stock
[CAD File Download](#)
[Technical Specifications](#)
[Additional Specifications](#)
[Programming Procedure](#)
[360 Degree View](#)

In addition to our instructional YouTube video, an Operating Procedure pdf is found on our sensor product pages: www.EMICorp.com & search for the appropriate Quick#.

Gimatic Teachable Sensor Mounting Bracket

(Dimensioned drawings shown actual size)



- Easily mount PRO sensors to profile or plate.

PRO Sensor Mounting Bracket

Quick#	Part#	Price
7650	PRO-SPB	\$4.99

Includes: 2x M5x12 Flat head Socket Head Screws, and 2x Q#7115 Drop-In Channel Nuts



Mounting Examples

