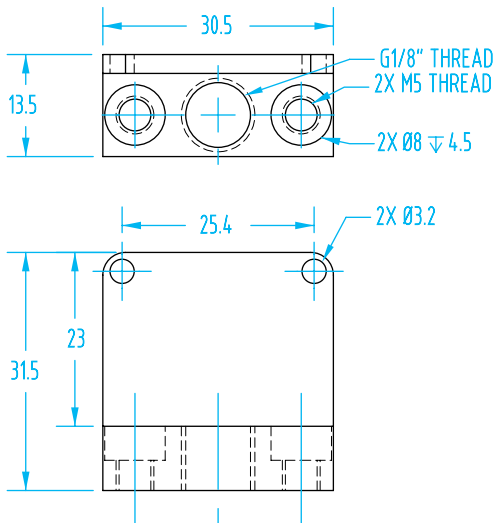
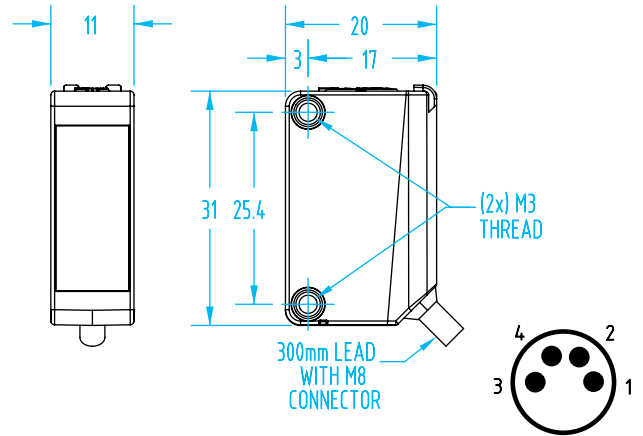


Photo Sensors

(Shown Actual Size)

- Easy to set up and use.
- Background suppression feature eliminates detection errors.
- Good for general purpose non-contact sensing.
- Very bright, highly visible target light spot.
- Not sensitive to ambient light.
- Full metal thread mounting.
- Range adjustable 0–350mm.
- NOT RECOMMENDED FOR CLEAR OR TRANSPARENT PARTS.



Quick#	Part#	Description	Connection	Price
5990	GSE-PPE350-PNP	Photo Sensor PNP	4-pin M8	\$123.00
5991	GSE-PPE350-NPN	Photo Sensor NPN		\$123.00
Mounting Bracket for Sensors				
5992	GSC-PEB-2013	Fasteners included		\$15.86

See page 985 for cables.

Mounting Examples

