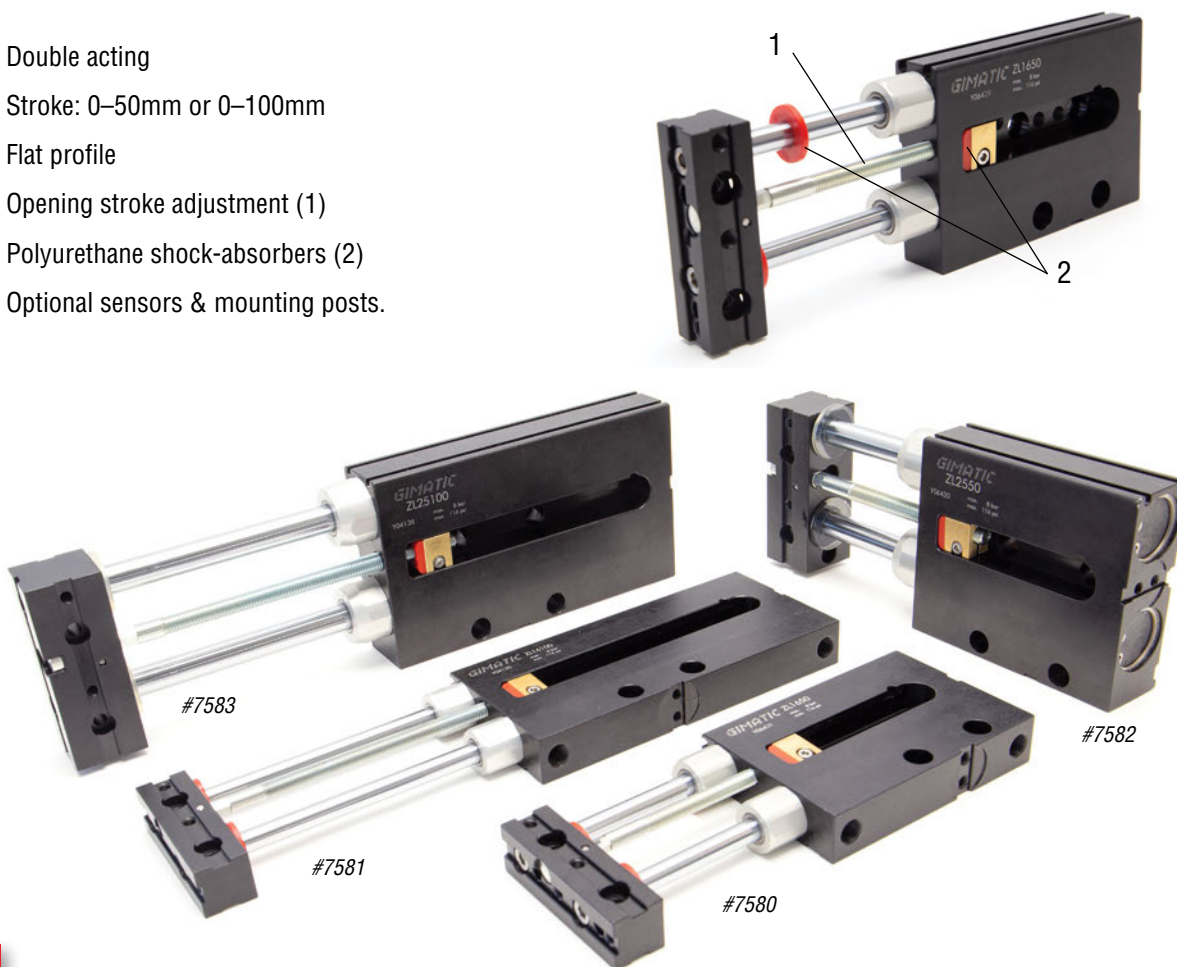


Low-Profile Pneumatic Slides for EOAT – ZL

- Double acting
- Stroke: 0–50mm or 0–100mm
- Flat profile
- Opening stroke adjustment (1)
- Polyurethane shock-absorbers (2)
- Optional sensors & mounting posts.




NEW

Quick#	7775	7580	7581	7582	7583
Part#	ZL1030	ZL1650	ZL16100	ZL2550	ZL25100
Price	\$265.00	\$379.00	\$393.00	\$443.00	\$461.00
Medium	Filtered, lubricated / non lubricated compressed air				
Pressure range	29–116 psi				
Retraction force at 87 psi	13.4 lbf	33.7 lbf		85.4 lbf	
Extension force at 87 psi	17.9 lbf	45 lbf		112.4 lbf	
Stroke	0–30mm	0–50mm	0–100mm	0–50mm	0–100mm
Minimum actuating time	0.06s	0.18s	0.24s	0.30s	0.45s
Cycle air consumption	9 cm ³	37 cm ³	70 cm ³	90 cm ³	177 cm ³
Weight	130g	420g	580g	880g	1160g

Sensors

The operating position can be checked by sensors (optional), that detect the inner magnet. Therefore, a nearby large mass of ferromagnetic material or intense magnetic fields may cause sensing troubles.

Sensors

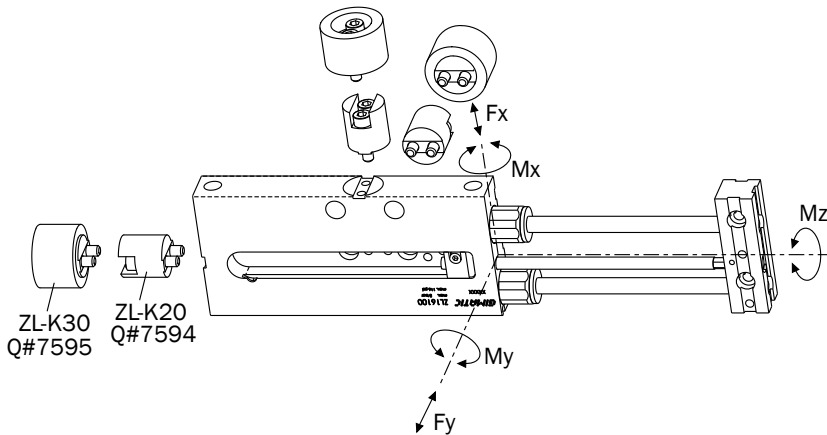


Quick#	Part#	Price	Signal	Description
1882	SS4N225G	\$27.20	PNP sensor	with lead, 2.5m long
1883	SS4M225G	\$27.20	NPN sensor	with lead, 2.5m long
1884	SS3M203G	\$31.16	NPN sensor	M8 Connector, 0.3m long
6282	SS3N203G	\$31.16	PNP sensor	M8 Connector, 0.3m long

Low-Profile Pneumatic Slides for EOAT – ZL

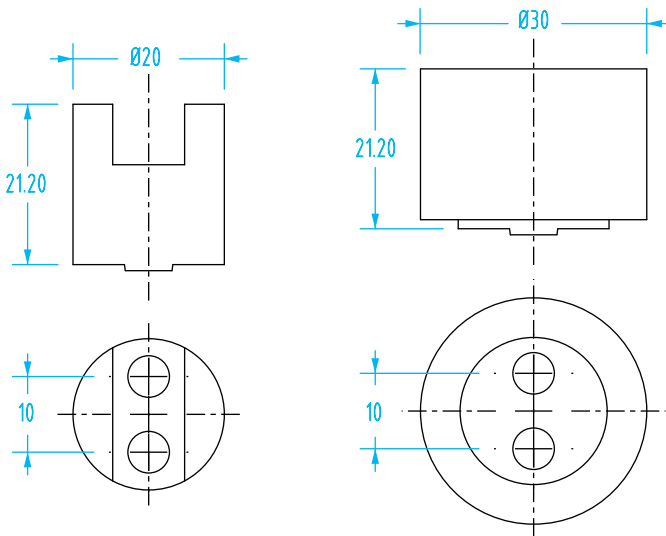
(Dimensioned drawings shown full scale)

Safety loads



	ZL1650	ZL16100	ZL2550	ZL25100
Fx s	60N	60N	120N	120N
Fy s	40N	40N	80N	80N
Mx s	6Nm	6Nm	14Nm	14Nm
My s	8Nm	8Nm	20Nm	20Nm
Mz s	4Nm	4Nm	10Nm	10Nm
Fx d	30N	30N	60N	60N
Fy d	20N	20N	40N	40N
Mx d	3Nm	3Nm	7Nm	7Nm
My d	4Nm	4Nm	10Nm	10Nm
Mz d	2Nm	2Nm	5Nm	5Nm
m max	3000g	3000g	6000g	6000g

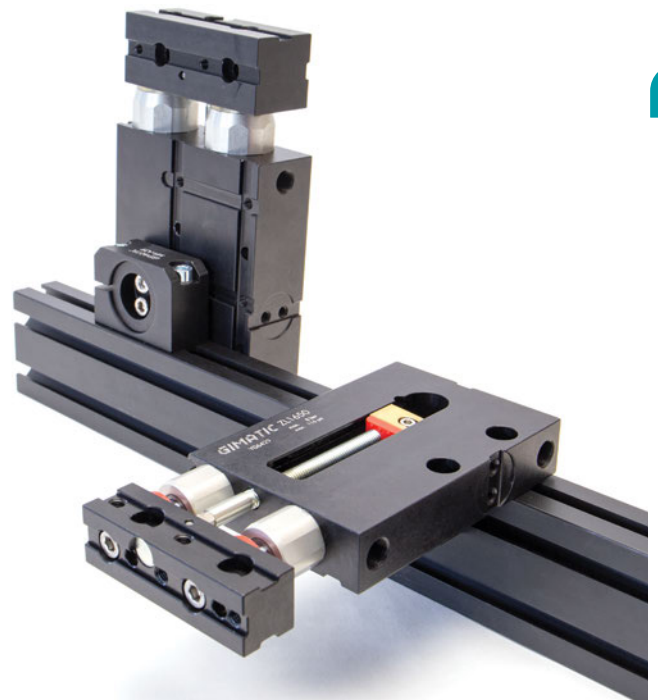
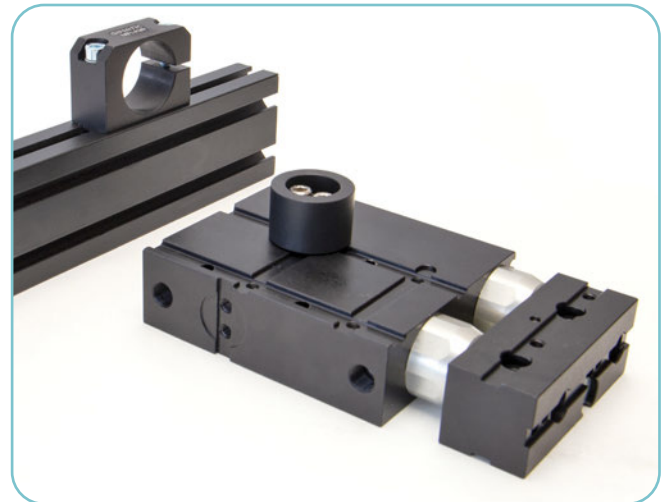
Mounting post



#7594



#7595



Cylinder Mounting Post

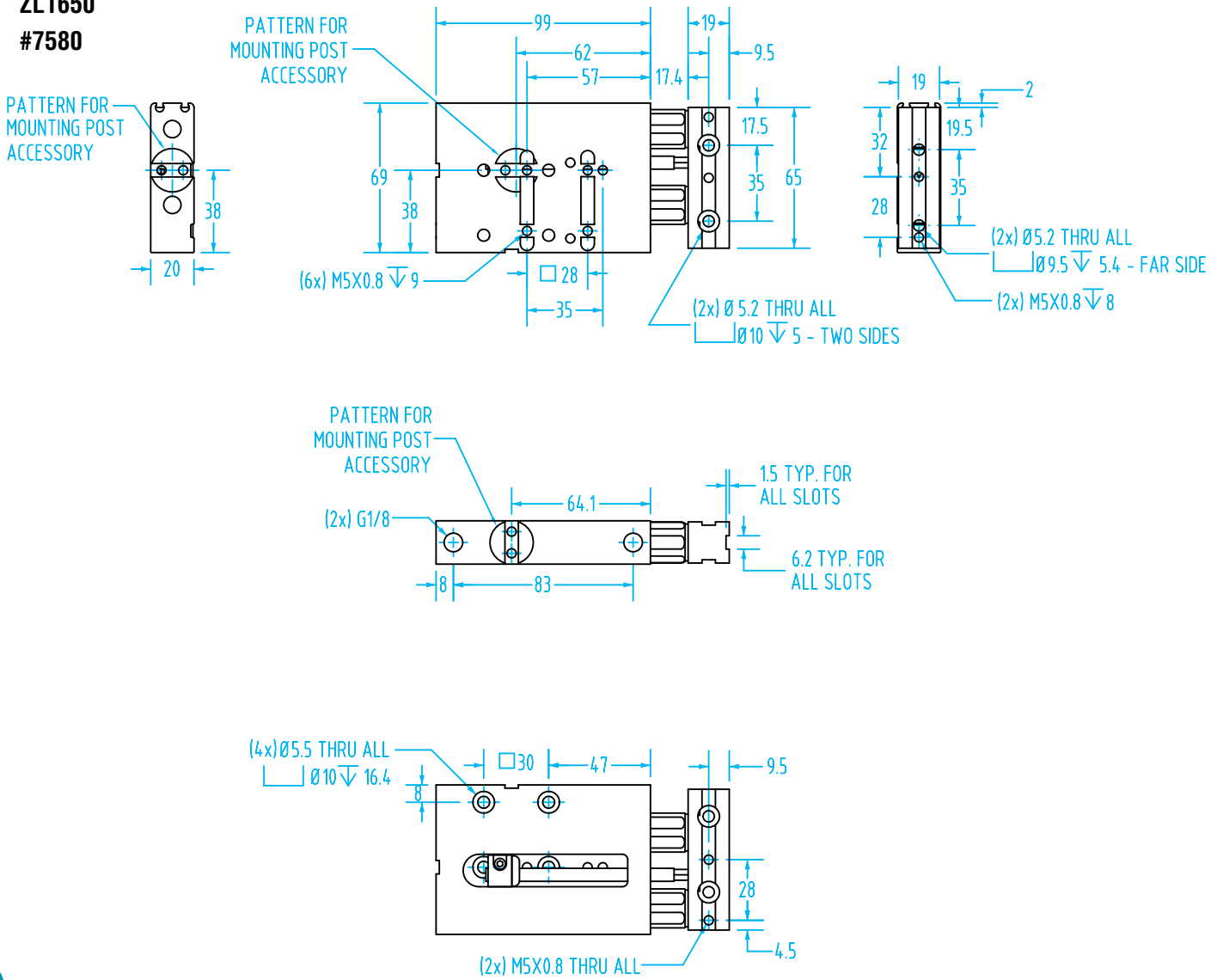
Quick#	Part#	Price	For
7799	ZL-K14	\$0.00	Q# 7775
7594	ZL-K20	\$34.96	Q# 7580-7581
7595	ZL-K30	\$37.75	Q# 7582-7583

Hardware included

Low-Profile Pneumatic Slides for EOAT – ZL

(Dimensioned drawing shown at 1/3 scale)

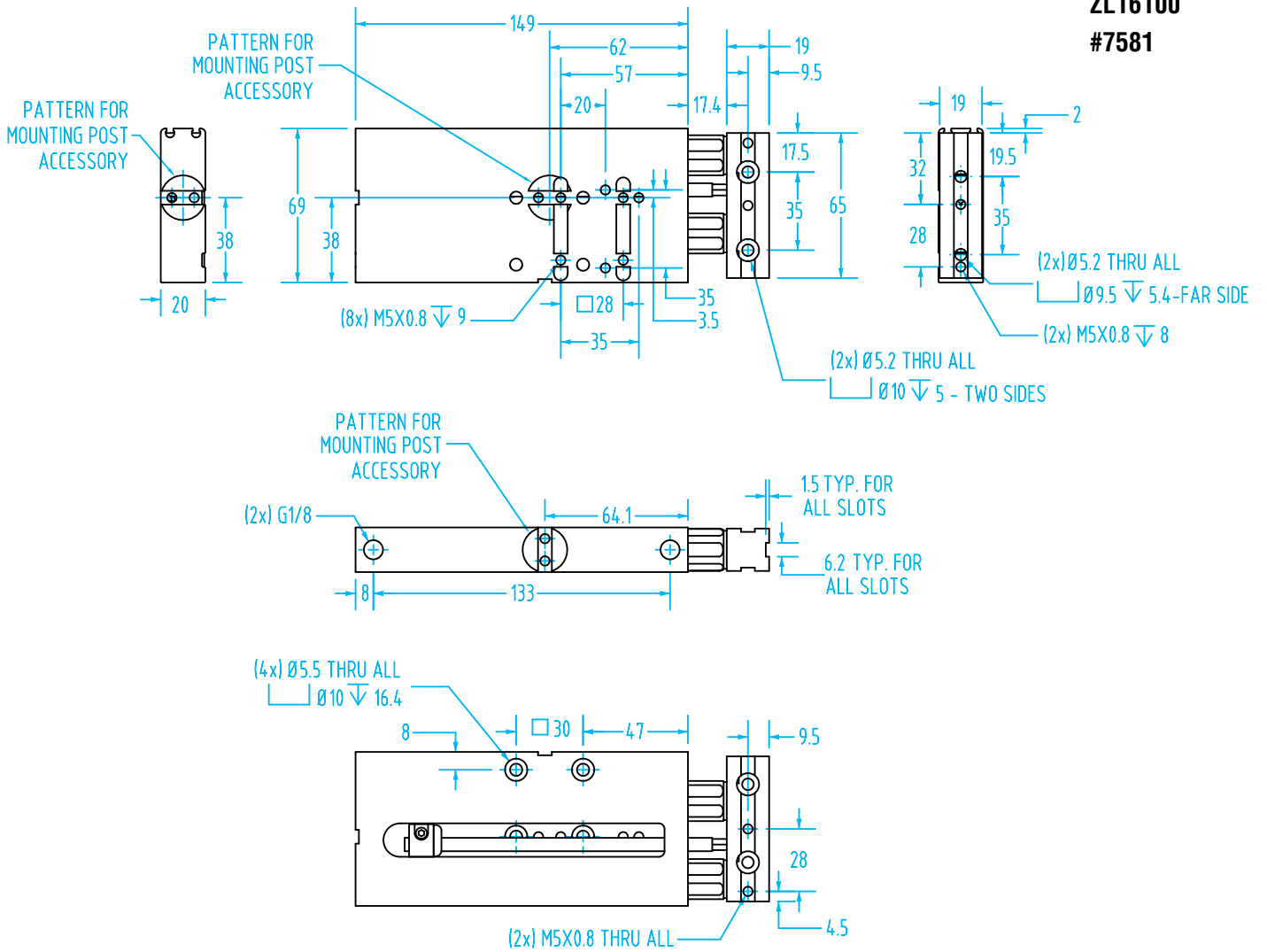
**ZL1650
#7580**



Low-Profile Pneumatic Slides for EOAT – ZL

(Dimensioned drawing shown at 1/3 scale)

ZL16100
#7581

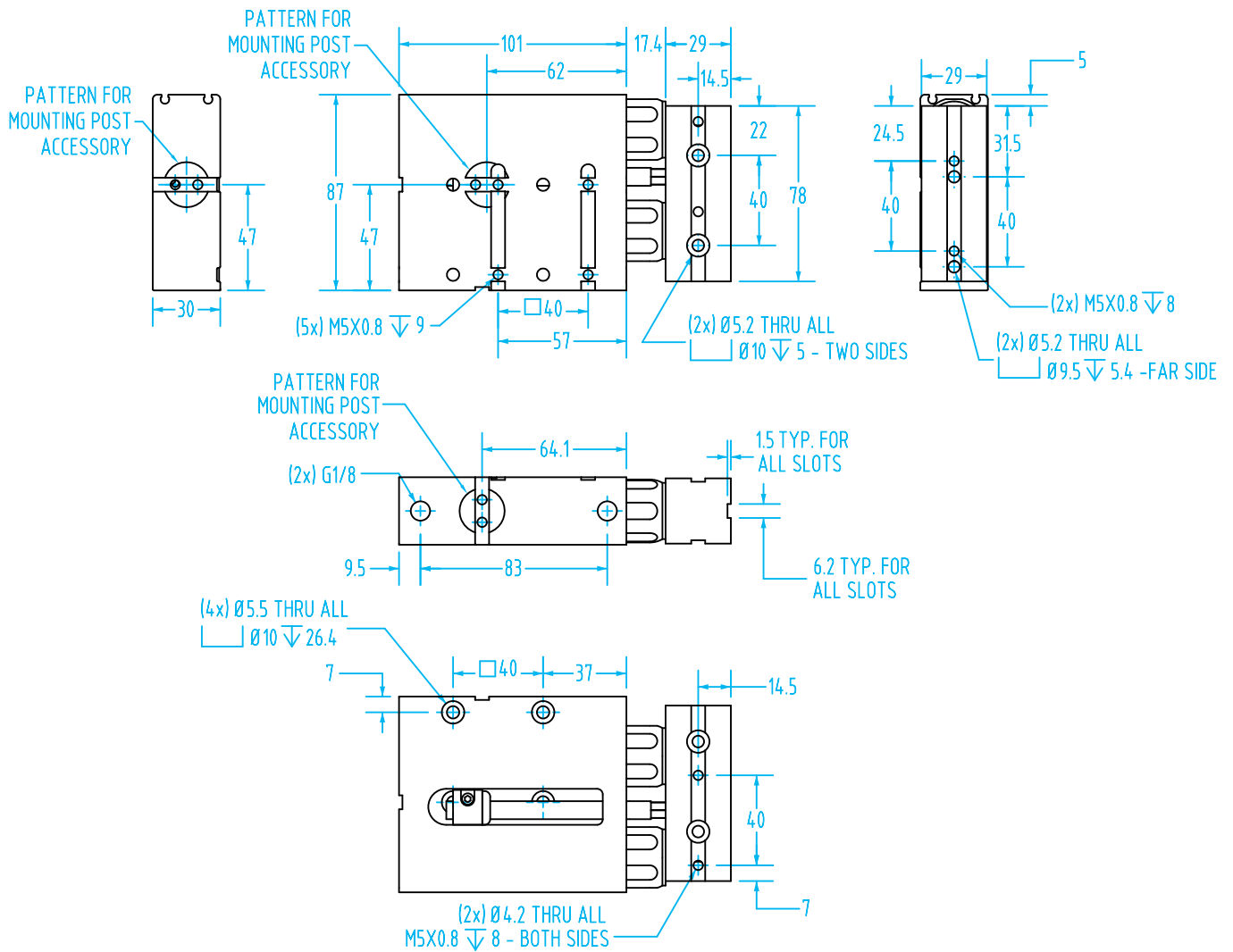


Low-Profile Pneumatic Slides for EOAT – ZL

(Dimensioned drawing shown at 1/3 scale)

ZL2550

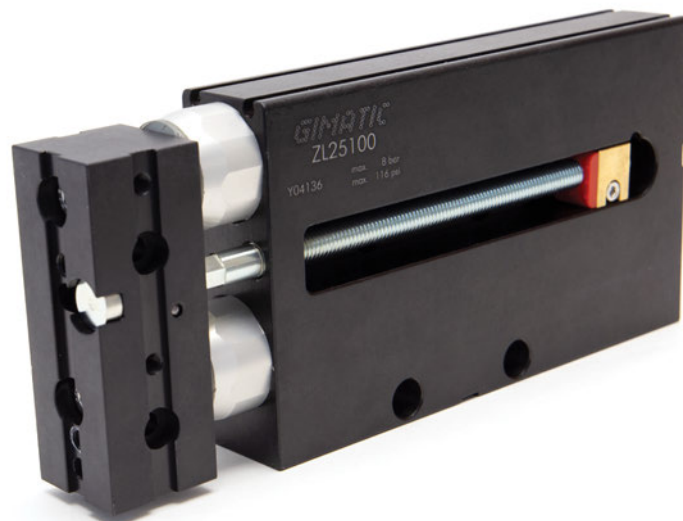
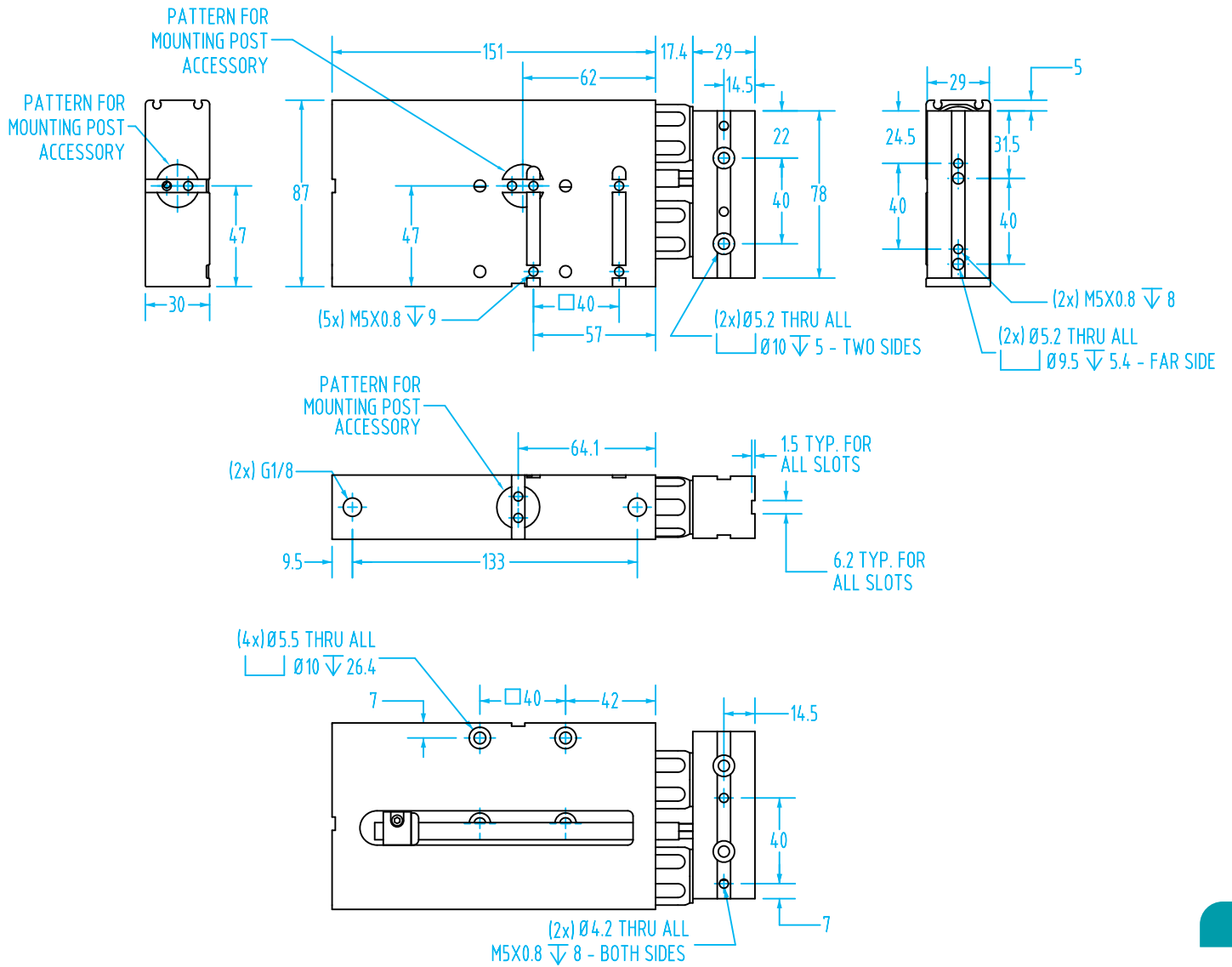
#7582



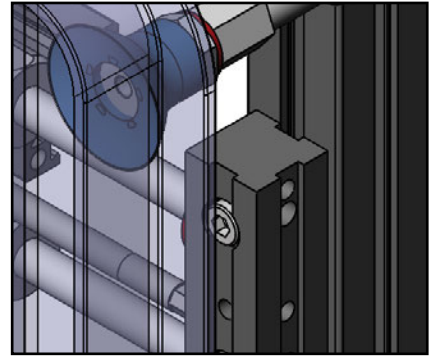
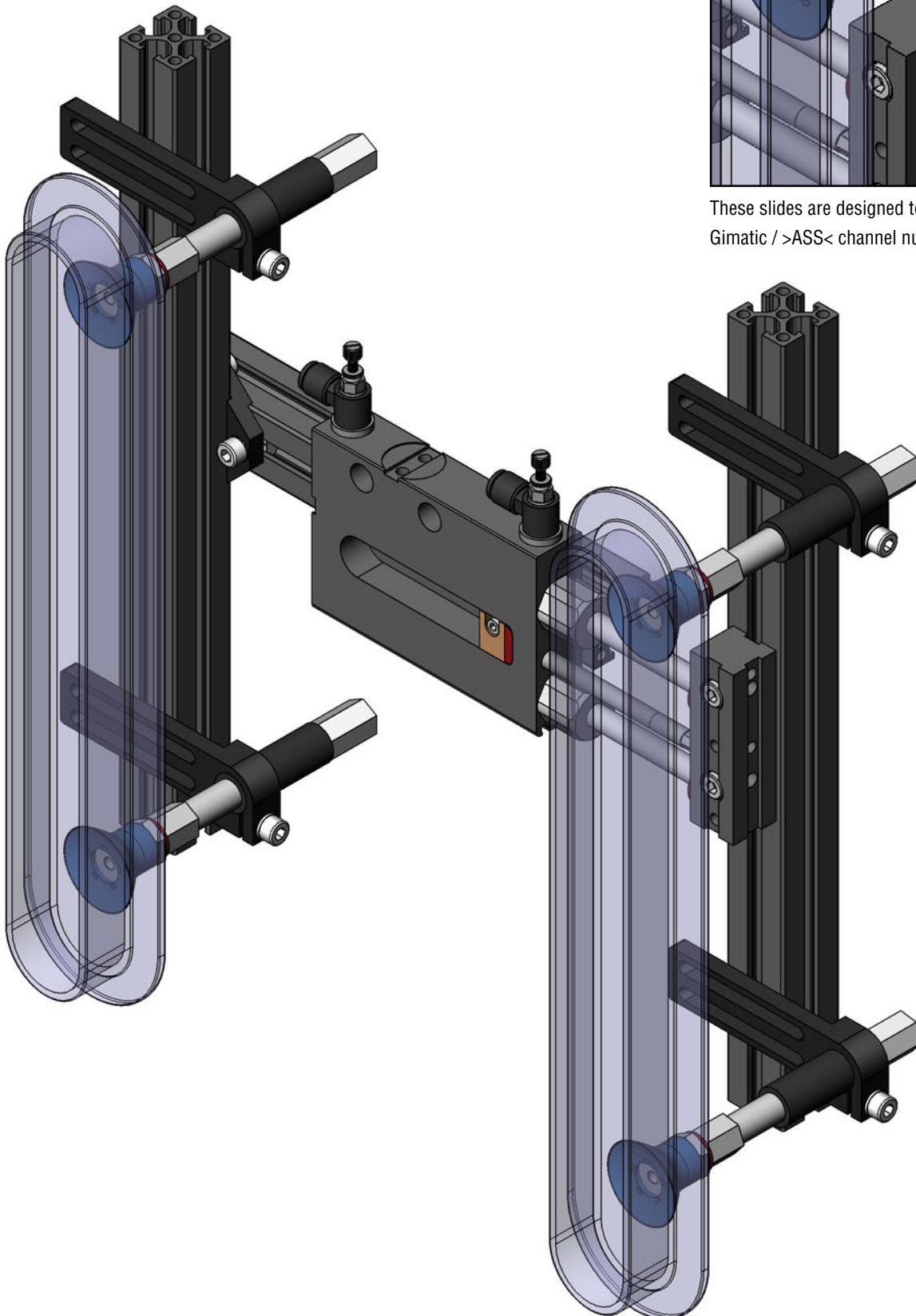
Low-Profile Pneumatic Slides for EOAT – ZL

(Dimensioned drawing shown at 1/3 scale)

**ZL25100
#7583**



Low-Profile Pneumatic Slides for EOAT – ZL



These slides are designed to interface with Gimatic / >ASS< channel nuts.

Low-Profile Pneumatic Slides for EOAT – ZL

