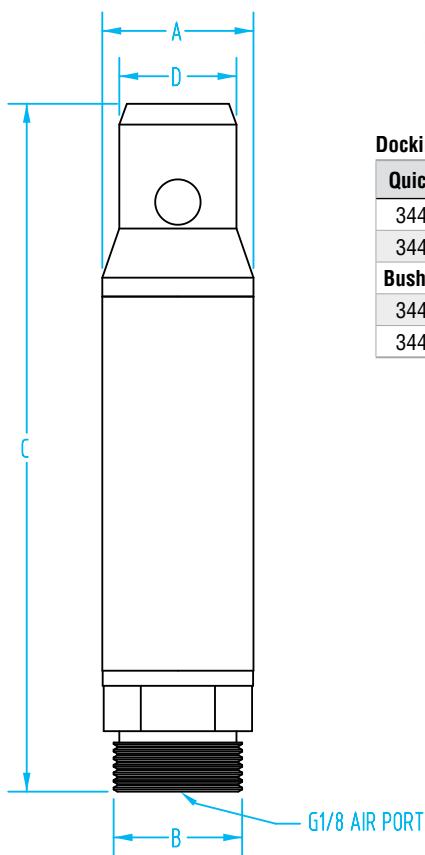


## Dock & Lock Gripper – ZTE

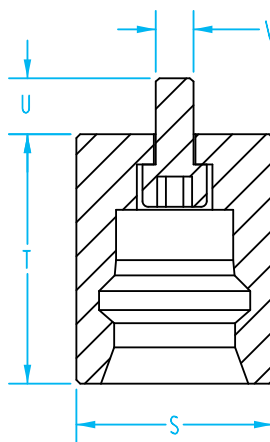
- Used to limit force being applied to the robot arm.
- Use in applications when excessive force is necessary to extract part(s) from the mold. Or, when excessive force is necessary to place insert(s) in the mold.
- Pressurized steel balls lock into the ZBU bushings.
- Magnetic piston for sensing lock or unlock positions.

Perfect for Insert Loading!



### Docking Finger

Quick#	Part#	>ASS< #	Price	Closing Force at 87psi	Wt.
3441	ZTE-20-V	1-747-20-00	\$451.50	78.68 lbf	430g
3442	ZTE-30-V	1-747-30-00	\$550.20	337.2 lbf	524g
Bushing					
3443	ZBU-20-V	1-747-21-00	\$69.30		66g
3444	ZBU-30-V	1-747-31-00	\$84.00		80g



	A	B	C	D
3441	20	M17x1	91	15.5
3442	30	M27x1	133.5	25.5

	S	T	U	V
3443	26h7	33	7.5	M5
3444	40h7	43.5	10	M6