

Lightweight ID Gripper – IGP-14

- IGP Grippers with EP Soft Touch Coating, slip resistant and silicone free. Working temp is 194°F with short term temp. resistance of 266°F.
- Twelve models available, all having a Ø14mm clampable stud.
- Extremely lightweight, and normally closed.
- Made utilizing selective laser sintering technology.
- Use D-M9.. sensors to detect closed position only. (D-M9.. sensors properly fasten to detect closed position only.)
- Use programmable sensor Q# 3809 for detection of 2 positions.
- ID grip diameter from 8 to 27mm. EP coated grip diameter from 10 to 29mm.
- Low cost alternative to air hands, tested to last 2 million cycles.
- Maximum operating temperature 176°F.
- Positive / negative pressure filter is recommended, see page 1015.
- Maximum pressure 87psi (6bar).



Lightweight ID Gripper

Quick#	Part#	Price	ID Grip Ø	Wt.	Payload
3630	IGP-14-8-12	\$60.90	8–12mm	14g	100g
3631	IGP-14-11-15	\$60.90	11–15mm	14g	100g
3632	IGP-14-14-18	\$60.90	14–18mm	15g	100g
3633	IGP-14-17-21	\$60.90	17–21mm	16g	100g
3634	IGP-14-20-24	\$60.90	20–24mm	16g	100g
3635	IGP-14-23-27	\$60.90	23–27mm	17g	100g

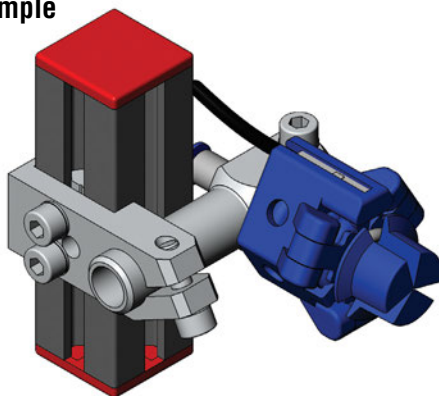
Lightweight ID Gripper with Soft Touch Coating

Quick#	Part#	Price	ID Grip Ø	Wt.	Payload
3745	IGP-14-10-14-EP	\$145.95	10–14mm	14g	100g
3746	IGP-14-13-17-EP	\$145.95	13–17mm	14g	100g
3747	IGP-14-16-20-EP	\$145.95	16–20mm	15g	100g
3748	IGP-14-19-23-EP	\$145.95	19–23mm	16g	100g
3749	IGP-14-22-26-EP	\$145.95	22–26mm	16g	100g
3750	IGP-14-25-29-EP	\$145.95	25–29mm	17g	100g

Replacement Spring (sold individually)

Quick#	Part#	Price	For
3826	MFZ-RZ-024BI	\$4.73	Size 14 IGP grippers

Application Example



Sensors Sold Separately - 3-Wire Sensors Detect Gripper Closed

Quick#	Part#	Price	ID Grip Ø	Wt.	Payload
5497	D-M9P-SAPC	\$42.06	PNP 0.5m long with M8 Connector		
5498	D-M9N-SAPC	\$42.06	NPN 0.5m long with M8 Connector		
5430	D-M9PL	\$33.70	PNP with lead, 3m long		
2412	D-M9NL	\$33.70	NPN with lead, 3m long		

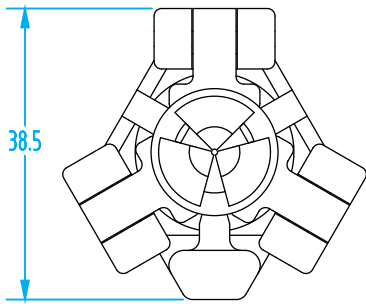
4-Wire Programmable Sensor for Detection of Two Positions

3809	MFS-T2-3-7	\$75.21	PNP, 0.5m long with M8 Connector		
------	------------	---------	----------------------------------	--	--

Use Quick#s for easy online ordering.

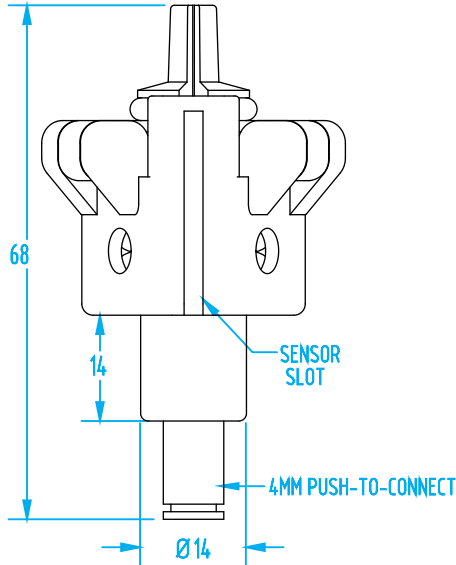
Lightweight ID Gripper – IGP-14

(Dimensioned drawings shown full scale)

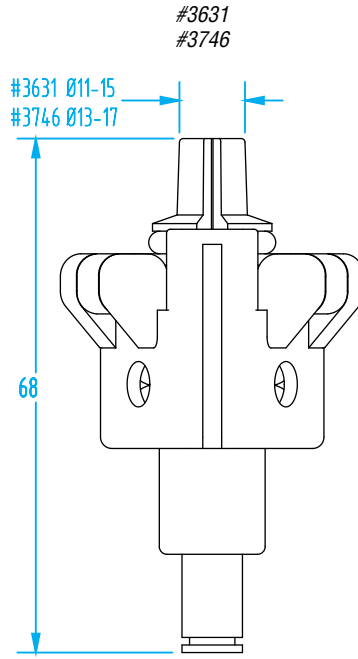


#3630
#3745

#3630 Ø 8-12
#3745 Ø 10-14

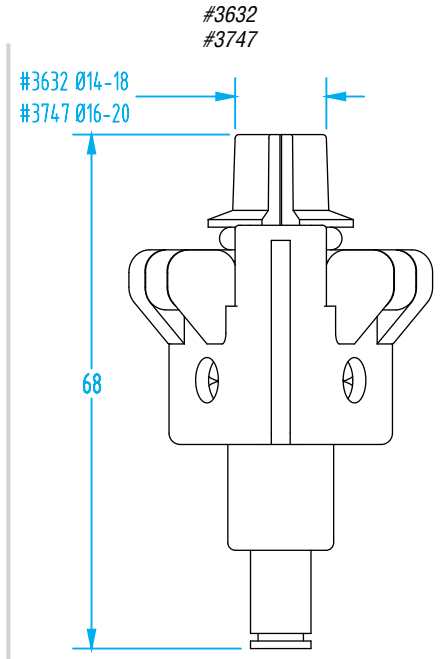


Use these dimensions for each of the Size 14 ID Grippers



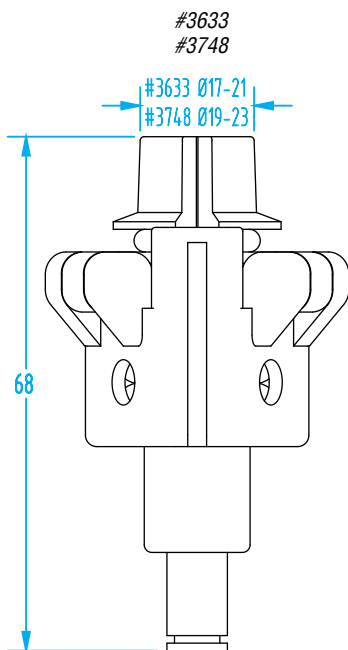
#3631
#3746

#3631 Ø11-15
#3746 Ø13-17



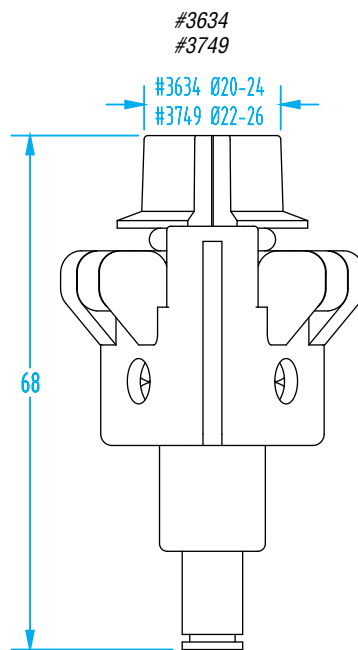
#3632
#3747

#3632 Ø14-18
#3747 Ø16-20



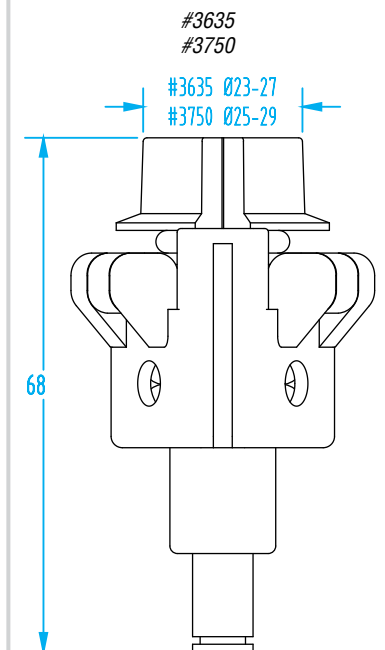
#3633
#3748

#3633 Ø17-21
#3748 Ø19-23



#3634
#3749

#3634 Ø20-24
#3749 Ø22-26



#3635
#3750

#3635 Ø23-27
#3750 Ø25-29