

Lightweight ID Gripper – IGP-20

- IGP Grippers with EP Soft Touch Coating, slip resistant and silicone free. Working temp is 194°F with short term temp. resistance of 266°F.
- Fourteen models available, all having a Ø20mm clampable stud.
- Extremely lightweight, and normally closed.
- Made utilizing selective laser sintering technology.
- Use D-M9.. sensors to detect closed position only. (D-M9.. sensors properly fasten to detect closed position only.)
- Use programmable sensor Q# 3809 for detection of 2 positions.
- ID grip diameter from 26 to 49mm. EP coated grip diameter from 28 to 50mm.
- Low cost alternative to air hands, tested to last 2 million cycles.
- Maximum operating temperature 176°F.
- Positive / negative pressure filter is recommended, see page 1015.
- Maximum pressure 87psi (6bar).



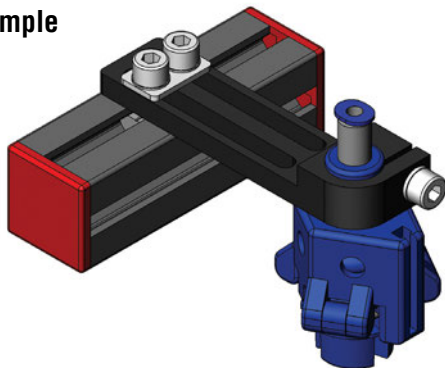
Lightweight ID Gripper

Quick#	Part#	Price	ID Grip Ø	Wt.	Payload
3703	IGP-20-26-30	\$165.90	26–30mm	42g	100g
3704	IGP-20-29-33	\$165.90	29–33mm	43g	100g
3705	IGP-20-32-36	\$165.90	32–36mm	44g	100g
3706	IGP-20-35-39	\$165.90	35–39mm	46g	100g
3707	IGP-20-38-42	\$165.90	38–42mm	46g	100g
3708	IGP-20-41-45	\$165.90	41–45mm	50g	100g
3709	IGP-20-44-49	\$165.90	44–49mm	52g	100g

Replacement Spring (sold individually)

Quick#	Part#	Price	For
3827	MFZ-RZ-042LI	\$5.00	Size 20 IGP grippers

Application Example



Lightweight ID Gripper with Soft Touch Coating

Quick#	Part#	Price	ID Grip Ø	Wt.	Payload
3751	IGP-20-28-32-EP	\$213.15	28–32mm	42g	100g
3752	IGP-20-31-35-EP	\$213.15	31–35mm	43g	100g
3753	IGP-20-34-38-EP	\$213.15	34–38mm	44g	100g
3754	IGP-20-37-41-EP	\$213.15	37–41mm	46g	100g
3755	IGP-20-40-44-EP	\$213.15	40–44mm	46g	100g
3756	IGP-20-43-47-EP	\$213.15	43–47mm	50g	100g
3757	IGP-20-46-50-EP	\$213.15	46–50mm	52g	100g

Sensors Sold Separately - 3-Wire Sensors Detect Gripper Closed

Quick#	Part#	Price	ID Grip Ø	Wt.	Payload
5497	D-M9P-SAPC	\$42.06	PNP 0.5m long with M8 Connector		
5498	D-M9N-SAPC	\$42.06	NPN 0.5m long with M8 Connector		
5430	D-M9PL	\$33.70	PNP with lead, 3m long		
2412	D-M9NL	\$33.70	NPN with lead, 3m long		

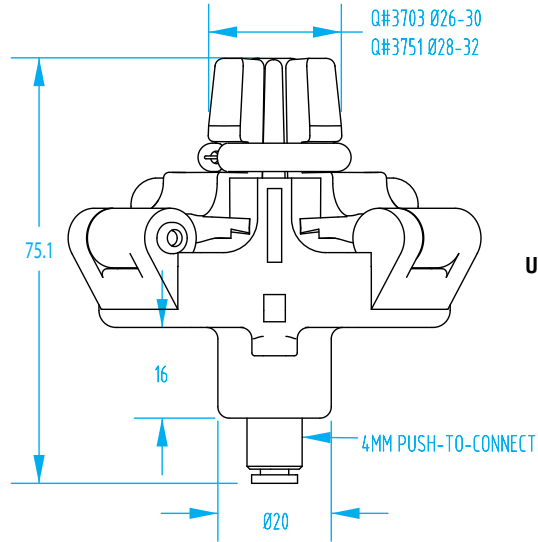
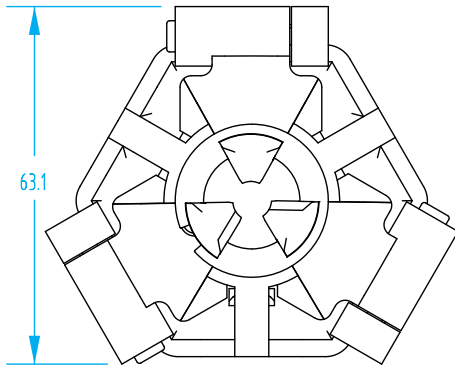
4-Wire Programmable Sensor for Detection of Two Positions

3809	MFS-T2-3-7	\$75.21	PNP, 0.5m long with M8 Connector		
------	------------	---------	----------------------------------	--	--

Lightweight ID Gripper – IGP-20

(Dimensioned drawings shown at 75% scale)

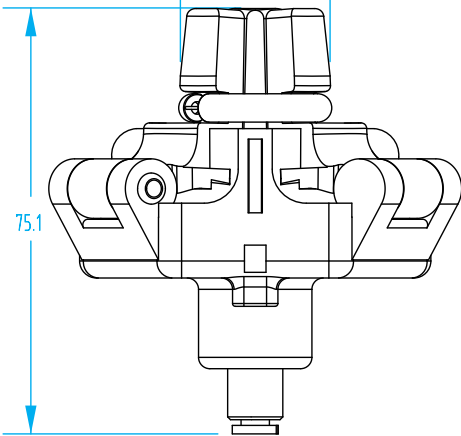
#3703
#3751



Use these dimensions for each of the size 20 ID Grippers

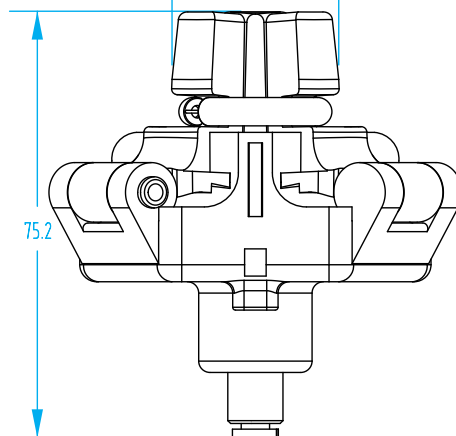
#3704
#3752

Q#3704 Ø29-33
Q#3752 Ø31-35



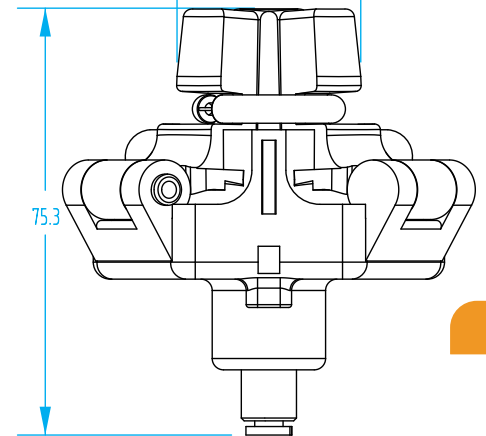
#3705
#3753

Q#3705 Ø32-36
Q#3753 Ø34-38



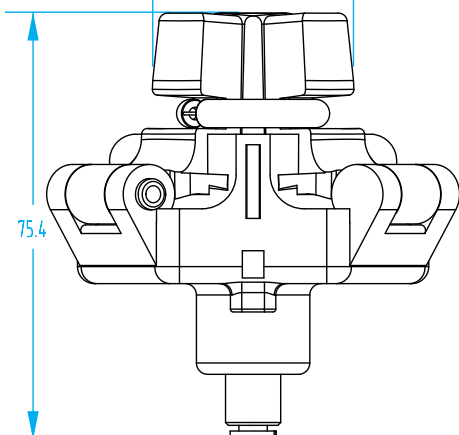
#3706
#3754

Q#3706 Ø35-39
Q#3754 Ø37-41



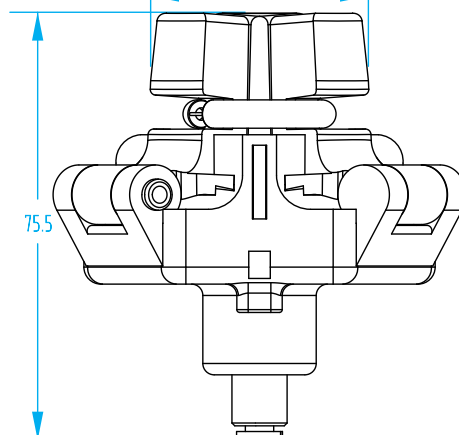
#3707
#3755

Q#3707 Ø38-42
Q#3755 Ø40-44



#3708
#3756

Q#3708 Ø41-45
Q#3756 Ø43-47



#3709
#3757

Q#3709 Ø44-49
Q#3757 Ø46-50

