

Mini Angular Gripper – TFA

- Single acting with spring opening.
- Self-centering.
- Finger blanks available.
- Optional suspension kit.
- Easily mounted on EOAT using standard Ø10mm, Ø14mm, or Ø20mm clamps.
- Optional sensors available, see page 553.



Quick#	6694	6695	6696	6697
Part#	TFA10-25	TFA14-25	TFA20-25	TFA20-25S
Price	\$120.00	\$125.00	\$132.00	\$176.00
Pressure range	36–116psi			
Stroke	20° to -5°			
Total closing force at 87 psi	7.5 lbf at 10mm	14.5 lbf at 15mm	38.5 lbf at 25mm	38.5 lbf at 25mm
Weight	12g	30g	95g	120g

Use Quick#s for easy online ordering.

Suspension Mounting



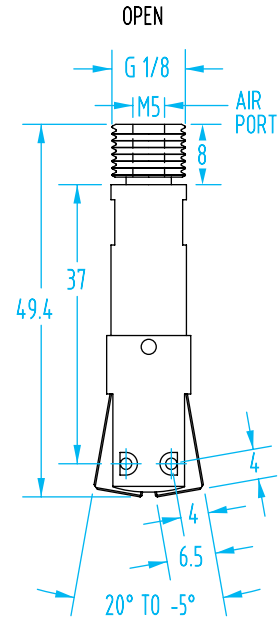
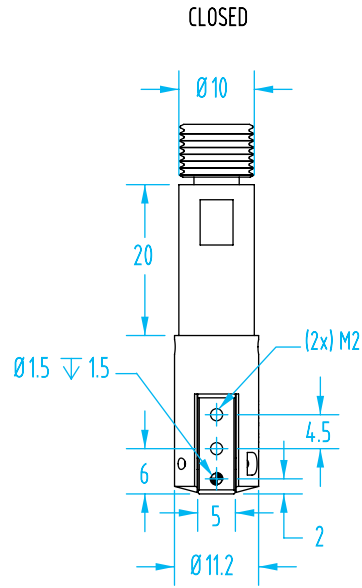
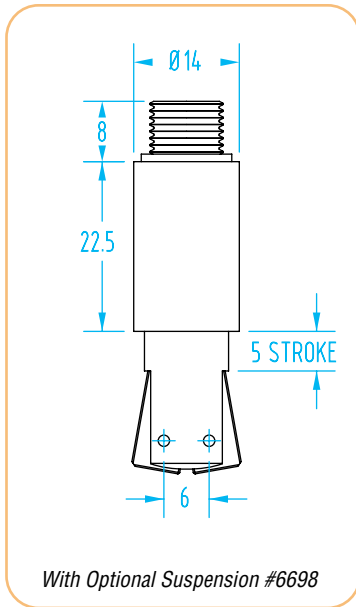
Suspension Kits

Quick#	Part#	For Gripper	Stroke	Price	Weight
6698	TFA10-SP05	TFA10	5mm	\$25.00	10g
6699	TFA14-SP05	TFA14	5mm	\$28.00	35g
6700	TFA20-SP10	TFA20	10mm	\$32.00	85g

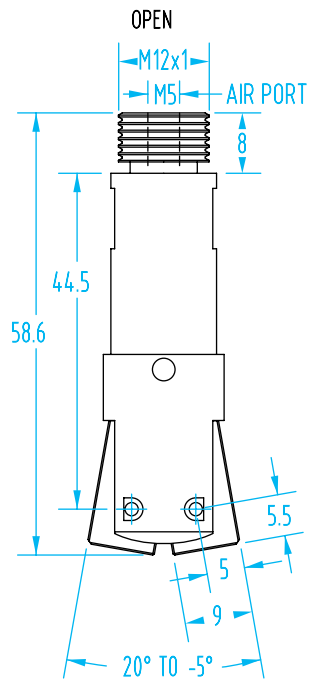
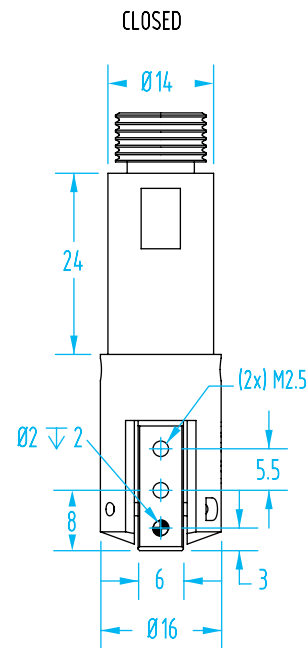
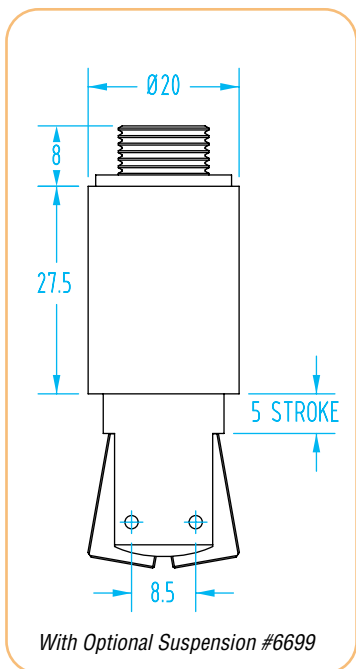
Mini Angular Gripper – TFA

(Dimensioned drawings shown full scale)

TFA10-25, #6694



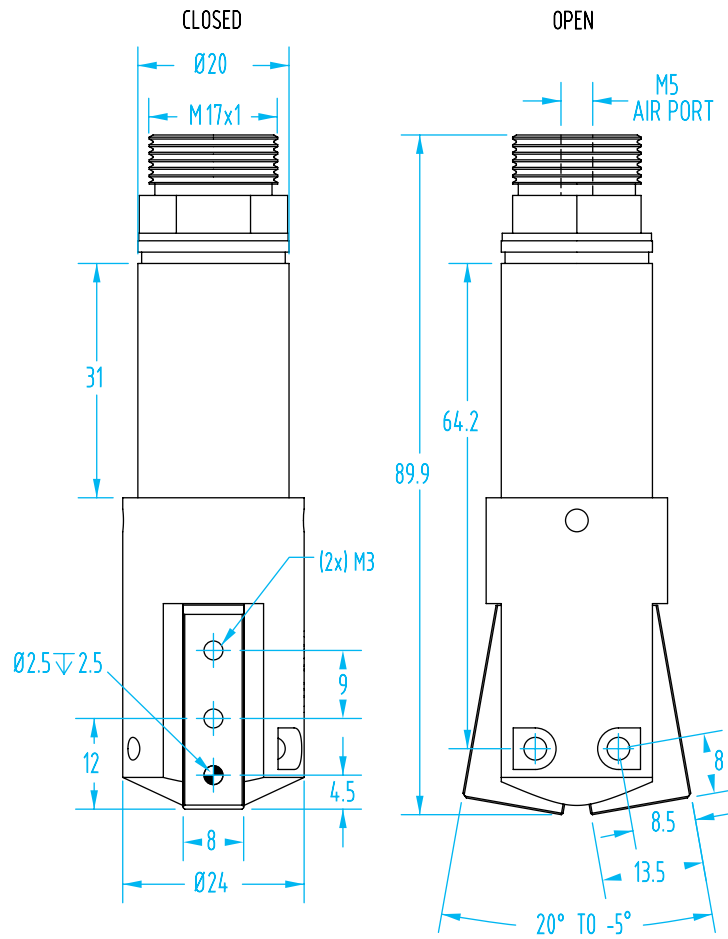
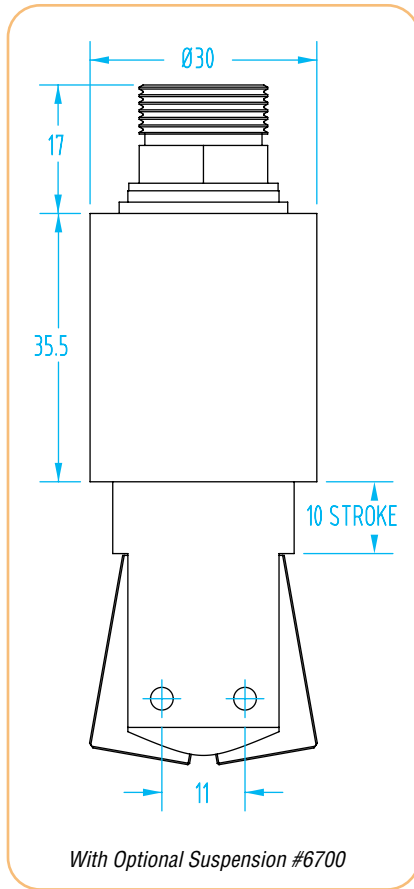
TFA14-25, #6695



Mini Angular Gripper – TFA

TFA20-25, #6696

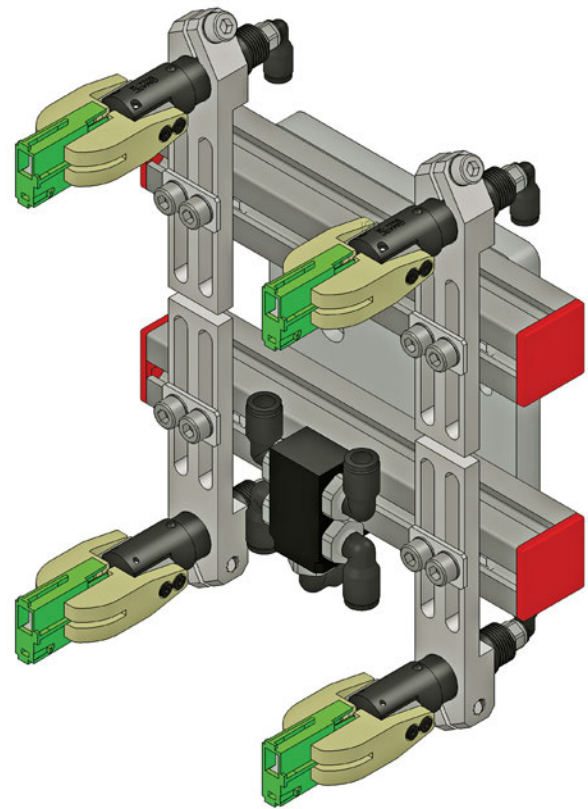
(Dimensioned drawings shown full scale)



Application Examples



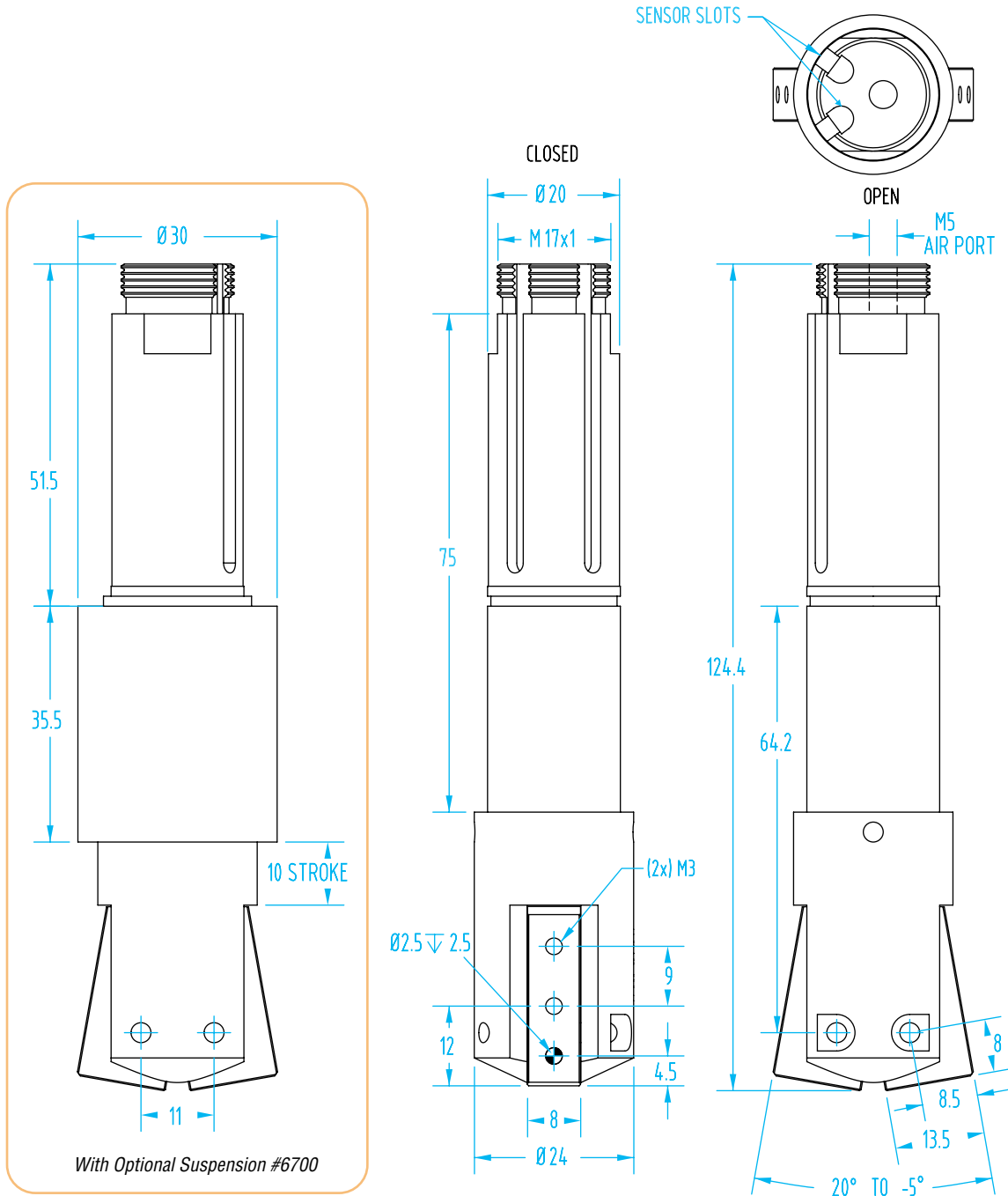
Mounts on standard Ø10mm, Ø14mm, and Ø20mm clamps



Mini Angular Gripper – TFA

(Dimensioned drawings shown full scale)

TFA20-25S, #6697



Sensors for TFA20-25S Angular Grippers (sold separately)

Quick#	Part#	Price	Signal	Connection
1882	SS4N225G	\$27.20	PNP	3-wire with lead, 2.5m long
6282	SS3N203G	\$31.16	PNP	3-wire with M8 male connector, 0.3m long
1883	SS4M225G	\$27.20	NPN	3-wire with lead, 2.5m long
1884	SS3M203G	\$31.16	NPN	3-wire with M8 male connector, 0.3m long
6278	SN4N225G	\$27.20	PNP	3-wire with lead, 2.5m long
6357	SN4M225G	\$27.20	NPN	3-wire with lead, 2.5m long
6277	SN3N203G	\$31.16	PNP	3-wire with M8 male connector, 0.3m long
6356	SN3M203G	\$31.16	NPN	3-wire with M8 male connector, 0.3m long

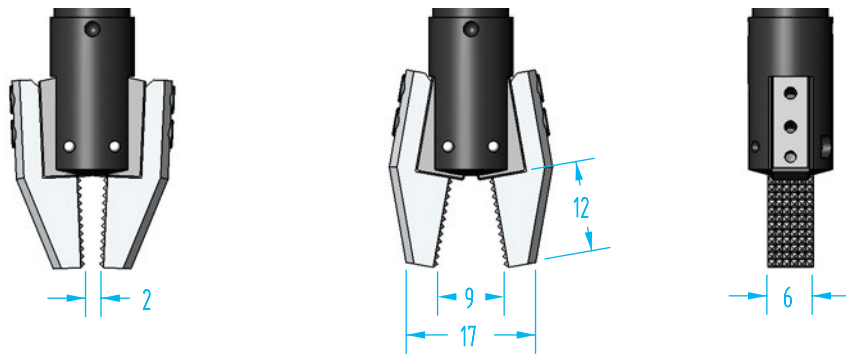
Note: M8 Extension cables Quick#'s 2582 & 2583 available on page 987.
See Sensor Reference Guide on page 1009 for full list of compatible sensors.

TFA Sprue Fingers

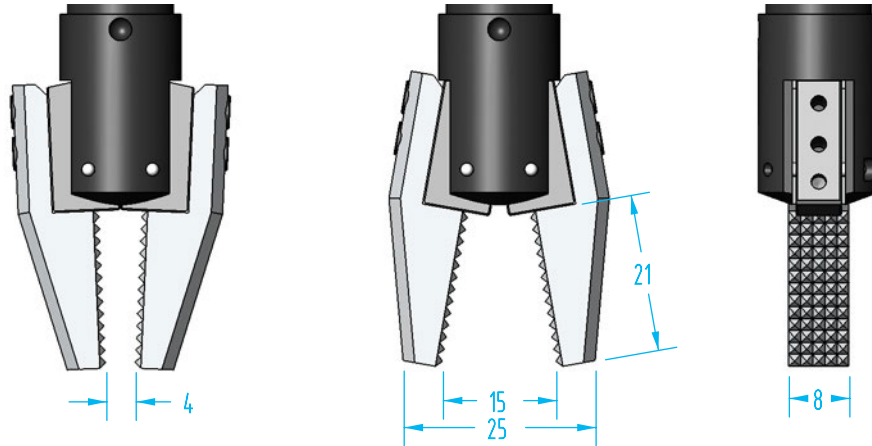
(Dimensioned drawings shown full scale)



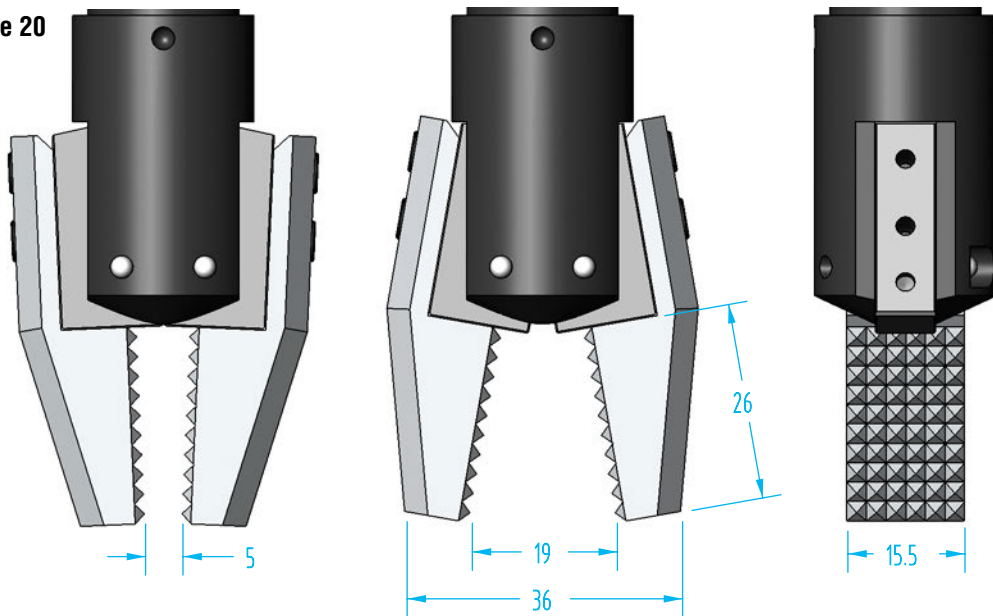
Size 10



Size 14



Size 20



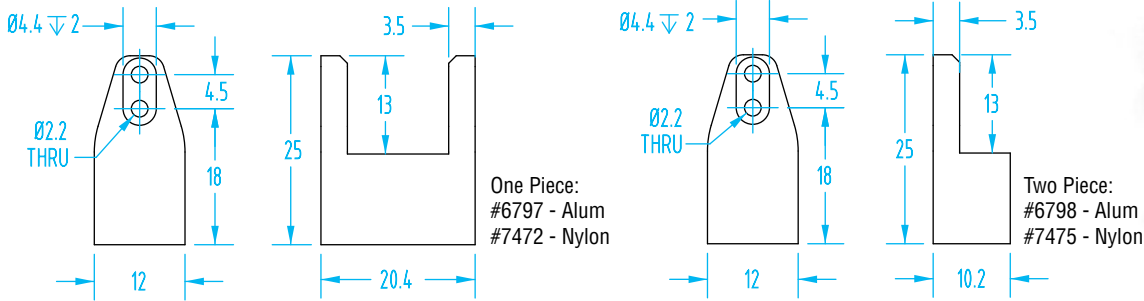
Sprue Fingers for TFA Grippers (priced per pair)

Quick#	6740	6741	6742
Part#	TFA10-SF	TFA14-SF	TFA20-SF
For Gripper:	TFA10	TFA14	TFA20
Price (per pair)	\$32.00	\$35.00	\$38.00
Applicable sprue	Ø3-6mm	Ø6-9mm	Ø7-14mm

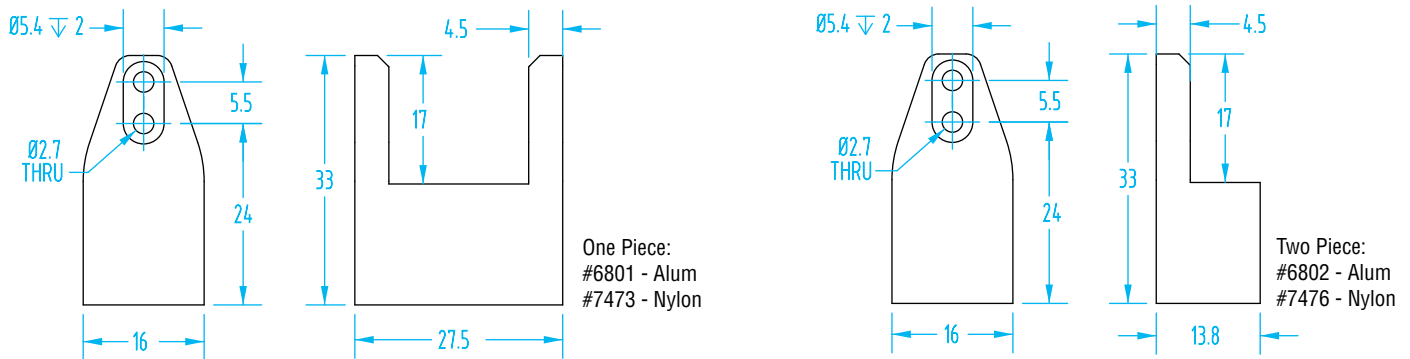
TFA Finger Blanks

(Dimensioned drawings shown full scale)

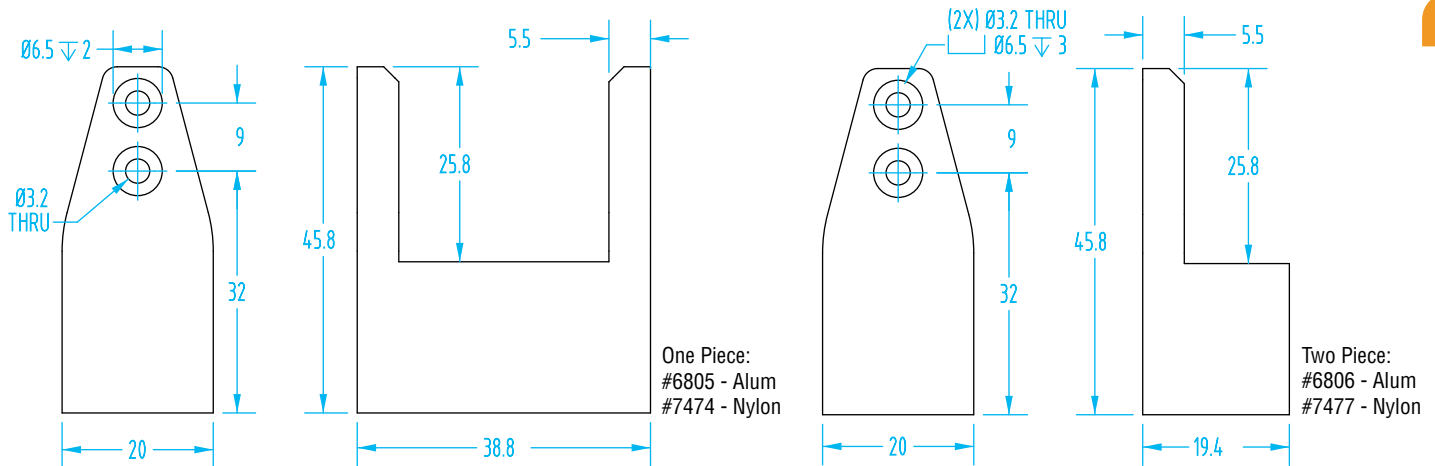
Finger Blanks for Size 10 TFA Gripper



Finger Blanks for Size 14 TFA Gripper



Finger Blanks for Size 20 TFA Gripper



One-Piece Finger Blanks

Quick#	Part#	Material	Size	Weight	Price
6797	TFA10-1A	Aluminum	12x20	10g	\$13.45
7472	TFA10-1N	Nylon	12x20	4g	\$13.45
6801	TFA14-1A	Aluminum	16x28	23g	\$15.60
7473	TFA14-1N	Nylon	16x28	8g	\$15.60
6805	TFA20-1A	Aluminum	20x39	52g	\$17.25
7474	TFA20-1N	Nylon	20x39	19g	\$17.25

All include mounting screws.

Two-Piece Finger Blanks (priced per pair)

Quick#	Part#	Material	Size	Weight	Price
6798	TFA10-2A	Aluminum	12x20	5g each	\$13.95
7475	TFA10-2N	Nylon	12x20	2g each	\$13.95
6802	TFA14-2A	Aluminum	16x28	12g each	\$16.10
7476	TFA14-2N	Nylon	16x28	4.5g each	\$16.10
6806	TFA20-2A	Aluminum	20x39	26g each	\$17.75
7477	TFA20-2N	Nylon	20x39	9.5 each	\$17.75

All include mounting screws.