

## Dock & Lock Gripper – AGG

### Grippers for Engagement

The AGG30 is used to provide precise centering and clamping between the robot and the mold or the robot and a fixture. This is necessary, for example, when metal inserts must be placed in the mold before plastic injection. The gripper AGG30-B is mounted on the EOAT and the steel bushing AGG30-C on the mold or a fixture. After the robot approaches the mold, the AGG30-B is pressurized so it closes and engages the AGG30-C. AGG21-B and AGG30-B are double-acting with a safety spring to keep the gripper engaged even without compressed air (NC). AGG19-B is single-acting with reset spring (NO).

**Perfect for Insert Loading!**



Quick#	7130	7128	6689
Part#	AGG19-B	AGG21-B	AGG30-B
Price	\$290.00	\$328.00	\$375.00
Diameter	Ø20	Ø20	Ø30
Style	Single Acting	Double Acting	
Maximum axial load without compressed air before releasing	0 lbf	134 lbf	314 lbf
Maximum axial load with compressed air before breakage	449 lbf	449 lbf	1124 lbf
Pressure range	29–116 psi (NO)	35–116 psi (NC)	39–116 psi (NC)
Weight	85g	115g	390g

#### Locking Collar

Quick#	Part#	Diameter	Weight	Price
7129	AGG21-C	Ø20	25g	\$24.44
6690	AGG30-C	Ø30	75g	\$21.11

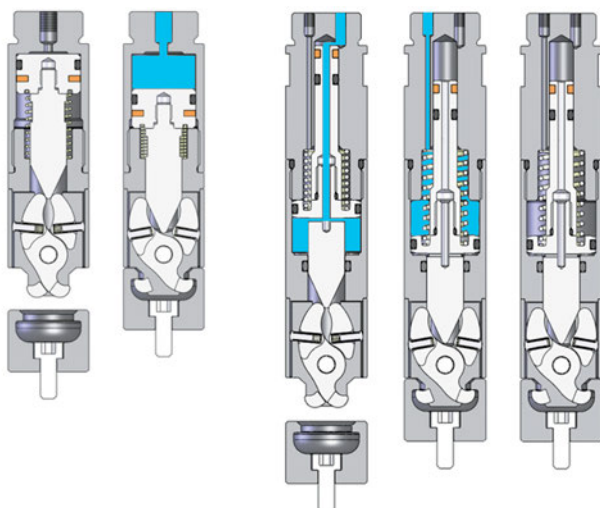
#### Optional Sensor Mounting Band

Quick#	Part#	Diameter	Price
7308	SWP-020	Ø20	\$2.22

See Sensor Reference Guide on page 1009 for full list of compatible sensors.

AGG19-B

AGG21-B / AGG30-B



### Dock & Lock Fitting Compatibility Guide

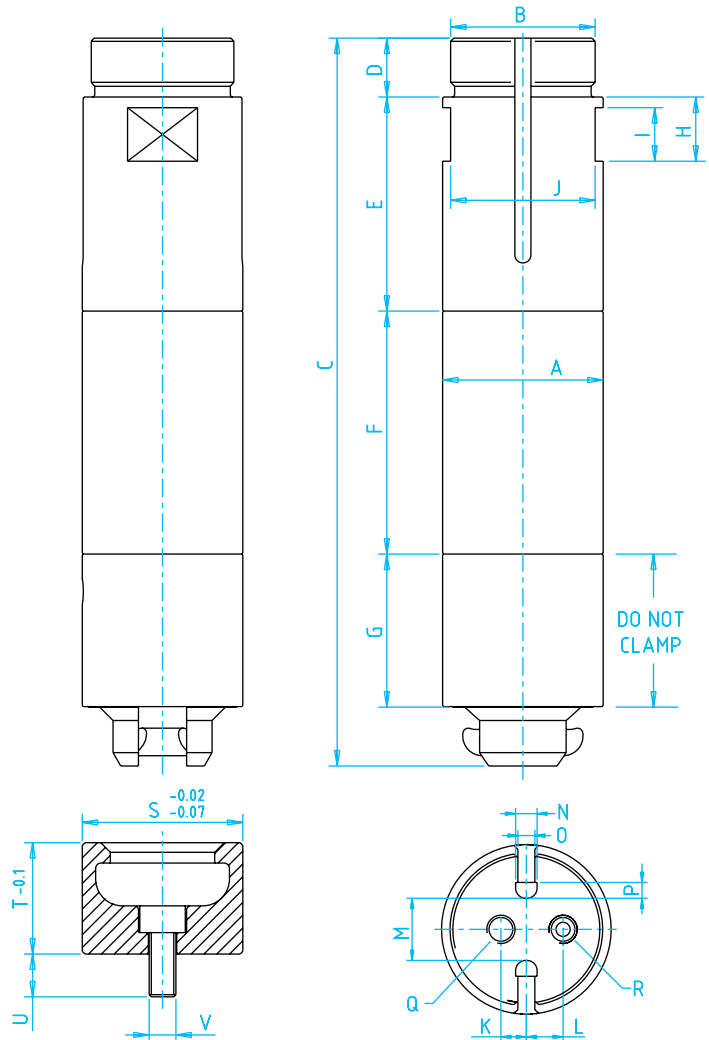
Quick#'s 7128 & 6689 have two closely spaced air ports that don't allow all fittings to work properly.

Fittings	Q# 7130	Q# 7128	Q# 6689	
	4mm OD Tubing	Yes	No	Yes
	6mm OD Tubing	Yes	No	No
	4mm OD Tubing	Yes	Yes, see Q#256	Yes
	6mm OD Tubing	Yes	N/A	Yes

**Dock & Lock Gripper – AGG**

	AGG19 B	AGG21 B	AGG30 B
Quick#	7130	7128	6689
A	Ø20	Ø20	Ø30
B	M17x1	M17x1	M27x1
C	70.5	96.5	136
D	8	8	11
E	32	28	40
F	4	34	45.4
G	19.5	19.5	28.6
H	10	10	12
I	8	8	10
J	18	18	27
K	0	4.2	4.5
L	-	3.5	6.5
M	-	8	11
N	-	3.8	3.8
O	-	3	3
P	-	2.8	2.8
Q	M5	M3	M5
R	-	M3	M5

	AGG21 C	AGG30 C
Quick#	7129	6690
S	Ø20	Ø30
T	15.3	20.8
U	6.7	8
V	M4	M5



**Application Example**

