

Two-Jaw Angular Self-Centering Electric Sprue Gripper – MPBS

- Self-centering jaw system (patented).
- Angular jaw movement.
- S version with gripping sensor on the jaw.
- Cables for direct connection to cobots on page 181.



MPBS Mounting Bracket with M12x1 thread

Quick#	Part#	Price	Wt.
7372	MFI-A354	\$41.75	25g



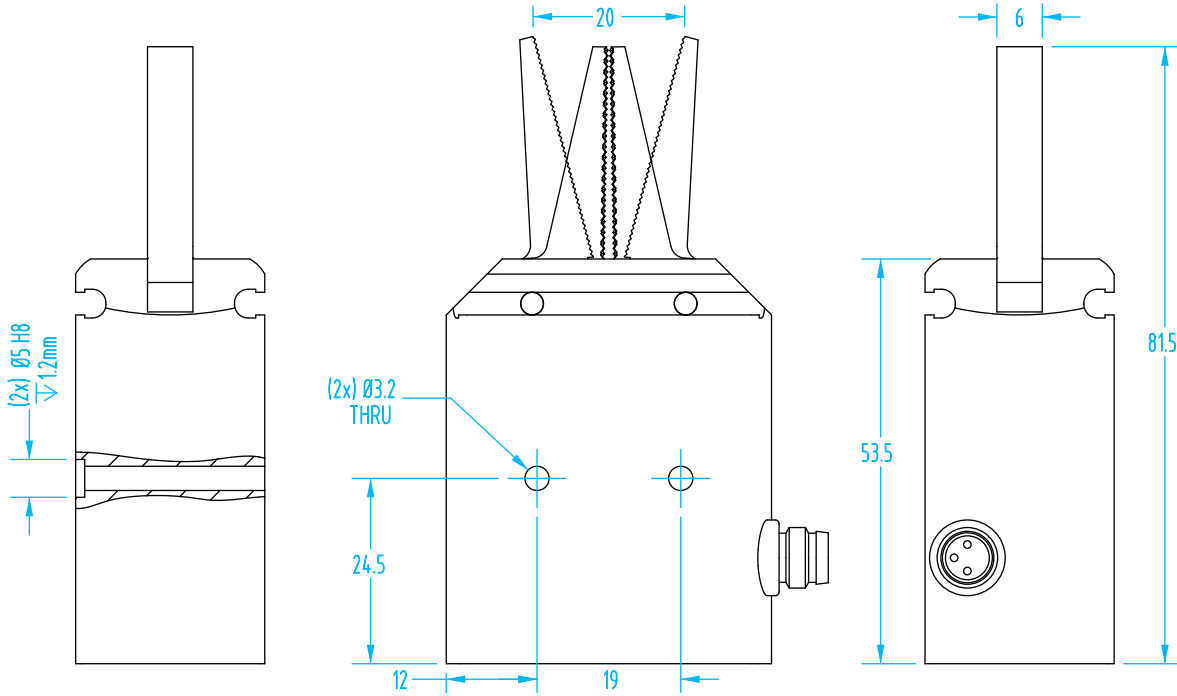
Quick#	7349	7350
Part#	MPBS1630	MPBS1630S*
Price	\$925.00	\$965.00
Total gripping force		6.2 in-lbf
Stroke		2x16mm
Max frequency		1.2Hz
Jaws closing time		0.06s
Working gripper time		0.18s
Duty cycle		41%
Peak current		0.9 Apk
Brushless motor power		6W
Open/closed input signal	PNP open collector	PNP open collector
Repetition accuracy		0.04°
Noise level		<70dB
Environmental Degree		IP54
Weight (motor included)	145g	150g
*Note: Sensing available on finger		

Continuous Flex Cables

Quick#	Part#	Description	Price
7160	CFGM800325P	2.5m cable 3-Wire with Straight M8 Connector	\$13.00
7161	CFGM890325P	2.5m cable 3-Wire with 90° M8 Connector	\$13.00

Two-Jaw Angular Self-Centering Electric Sprue Gripper – MPBS

#7349



#7350

