

Electric Rotary Actuators – MRE

- Capable of 90° or 180° rotation (angle mechanically set).
- Can be fitted to a gripper without a special mounting plate.
- Optional Ø4mm inductive sensors on page 1004.



All electric grippers are perfectly compatible with MRE rotary series actuators without any special plate.



Quick#	6995		6996		6997	
Part#	MRE16180		MRE25180		MRE32180	
Price	\$1,059.00		\$1,126.00		\$1,193.00	
Swivelling torque	4.0 in-lbf		7.1 in-lbf		12.2 in-lbf	
Swivelling angle	90°	180°	90°	180°	90°	180°
Max frequency	0.61 Hz	0.60 Hz	1.46 Hz	0.91 Hz	0.83 Hz	0.62 Hz
Swivelling time without load	0.12s	0.35s	0.22s	0.44s	0.15s	0.35s
Working actuator time	0.35s	0.57s	0.33s	0.55s	0.36s	0.57s
Duty cycle	46%	66%	99%	100%	39%	79%
Power supply	24 Vdc ± 10%					
Peak current	0.9 A		1.2 A		3.8 A	
Brushless motor power	6W		11W		23W	
Connection	M8 - 3 pole					
Open/closed input signal	PNP open connector					
Noise level	<70dB					
Weight (motor included)	195g		400g		738g	
IPA Clean Room Certification	ISO04		TBA		TBA	
Environmental Degree	IP54					

Continuous Flex Cables

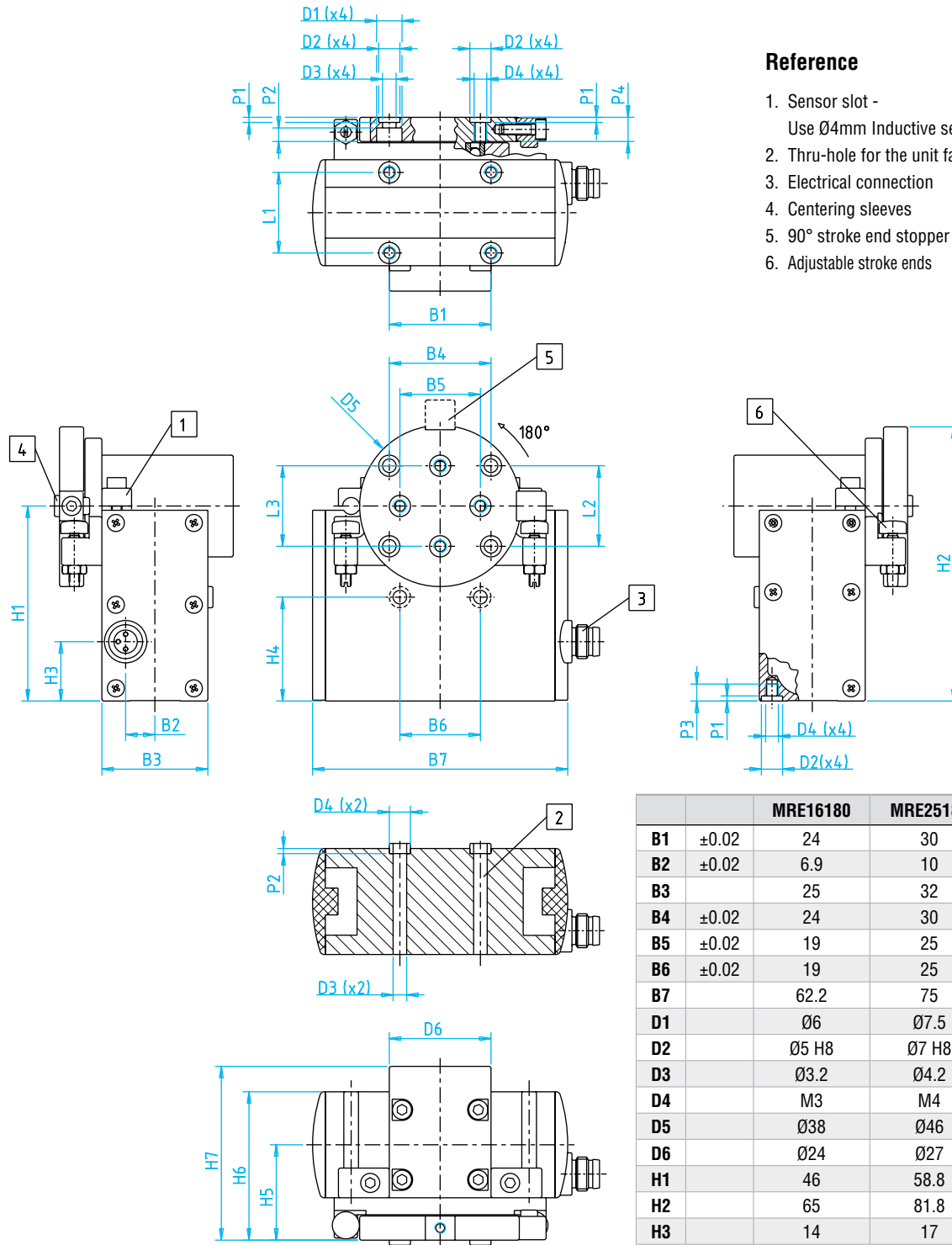
Quick#	Part#	Description	Price
7160	CFGM800325P	2.5m cable 3-Wire with Straight M8 Connector	\$13.00
7161	CFGM890325P	2.5m cable 3-Wire with 90° M8 Connector	\$13.00

For more information visit: www.EMlcorp.com

Electric Rotary Actuators – MRE

Reference

1. Sensor slot -
Use Ø4mm Inductive sensors
2. Thru-hole for the unit fastening
3. Electrical connection
4. Centering sleeves
5. 90° stroke end stopper
6. Adjustable stroke ends



		MRE16180	MRE25180	MRE32180
B1	±0.02	24	30	36
B2	±0.02	6.9	10	11
B3		25	32	35
B4	±0.02	24	30	36
B5	±0.02	19	25	30
B6	±0.02	19	25	30
B7		62.2	75	89
D1		Ø6	Ø7.5	Ø9
D2		Ø5 H8	Ø7 H8	Ø7 H8
D3		Ø3.2	Ø4.2	Ø5.2
D4		M3	M4	M5
D5		Ø38	Ø46	Ø55
D6		Ø24	Ø27	Ø31
H1		46	58.8	67.5
H2		65	81.8	95
H3		14	17	19
H4	±0.02	24.5	32	38
H5		22.5	28.5	33
H6		35	43.5	50.5
H7		41	52	60
L1	±0.02	19	24	26
L2	±0.02	19	22	26
L3	±0.02	19	25	30
P1		1.2	1.5	1.5
P2	+0.1	3.2	4.1	5
P3		4	6	8
P4		5.7	7.2	8.7