

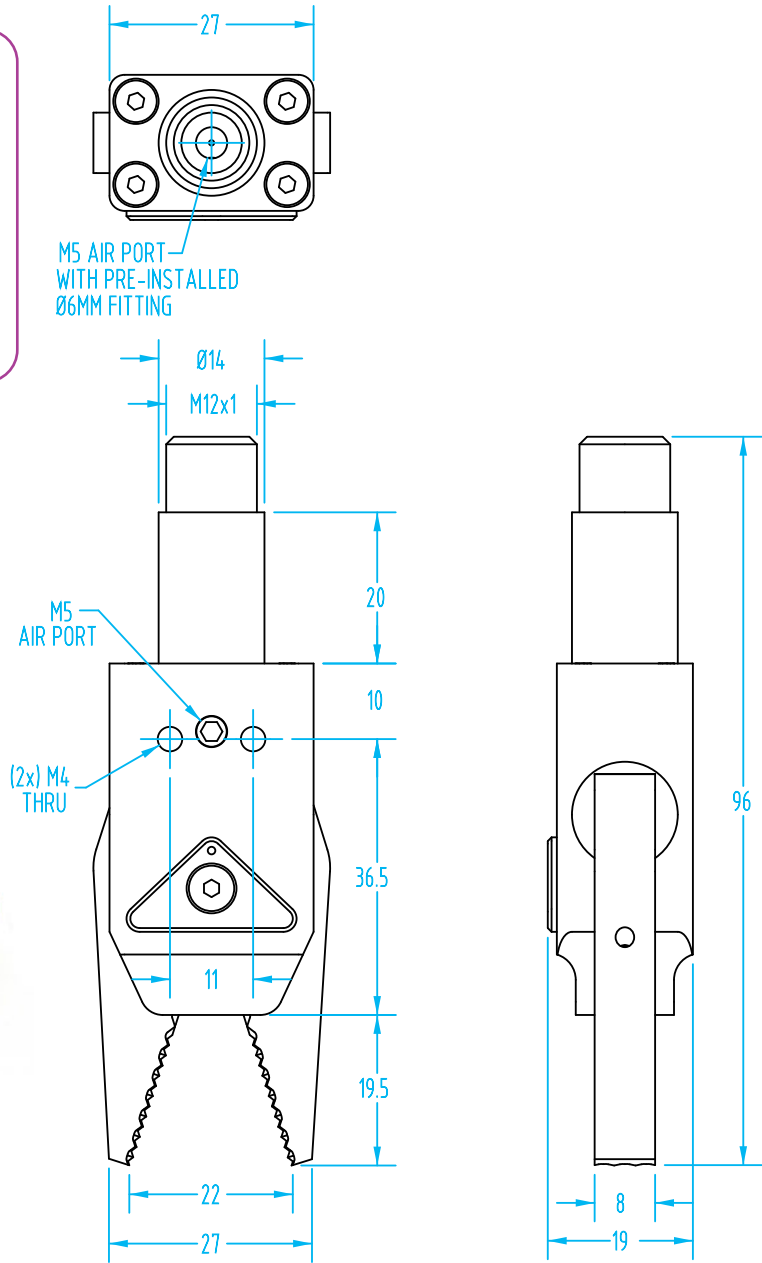
Medium-Body Sprue Grippers – GRZ 14

(Dimensioned drawings shown full scale)

GRZ 14 Features:

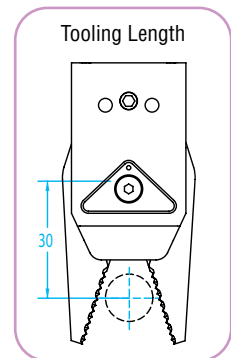
- A push-in fitting for Ø6mm tubing is pre-installed in or on the shaft depending on model number. Check our website for current information.
- Single acting with spring opening.
- Jaws are made of hard-coated aluminum, body made of anodized aluminum.
- Many mounting options — Ø14mm clampable body.
- M5 air ports on shaft and side.
- Grippers with sensors also include a 6' extension cable.

#3723 - with diamond textured jaws



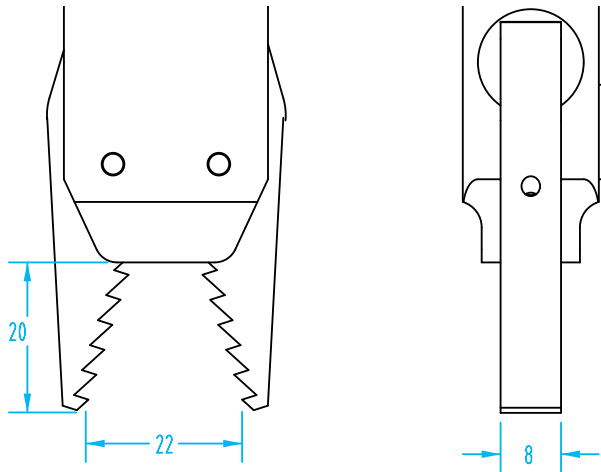
Quick#	Part#	>ASS< #	Price	lbs. Force at 30mm Tooling Length*	Applicable Sprue Ø	Weight
3723	GRZ-14-R	1-414-00-00	\$190.05	18.5lbf	2–12mm	65g

*Note: Force at 87psi (6 bar)



Medium-Body Sprue Grippers – GRZ 14

(Dimensioned drawings shown full scale)



#3713 - with saw jaws



Quick#	Part#	>ASS< #	Price	lbs. Force at 30mm Tooling Length*	Applicable Sprue Ø	Weight
3713	GRZ-14-S	1-414-40-00	\$227.85	18.5lbf	2–12mm	65g

*Note: Force at 87psi (6 bar)

#3710 - with polyurethane padded jaws

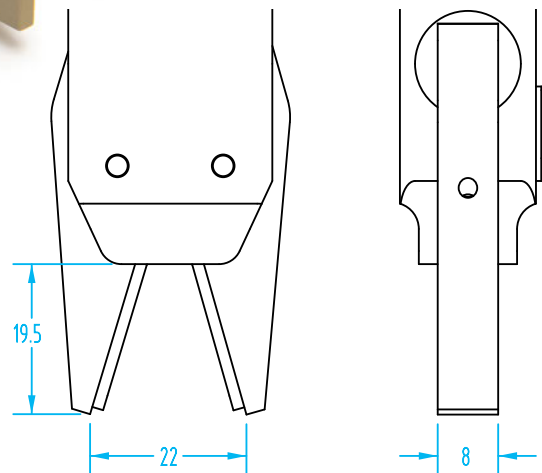
- Silicone free, non-marking pads
- Short term contact for PU pads is 230° F

#3724 - with soft touch coated jaws

- Silicone free, non-marking coating
- 194°F (266°F short term) max. temperature



Starting 2021 GRZ 14 Grippers will have a push-in Ø6mm fitting installed on the shaft. Visit our website to find current information.



Quick#	Part#	>ASS< #	Price	Style	lbs. Force at 30mm Tooling Length*	Applicable Sprue Ø	Weight
3724	GRZ-14-EP	1-414-65-00	\$252.00	Coated jaws	18.5lbf	2–12mm	65g
3710	GRZ-14-PU	1-414-30-00	\$220.50	Padded jaws	18.5lbf	2–12mm	65g

*Note: Force at 87psi (6 bar)

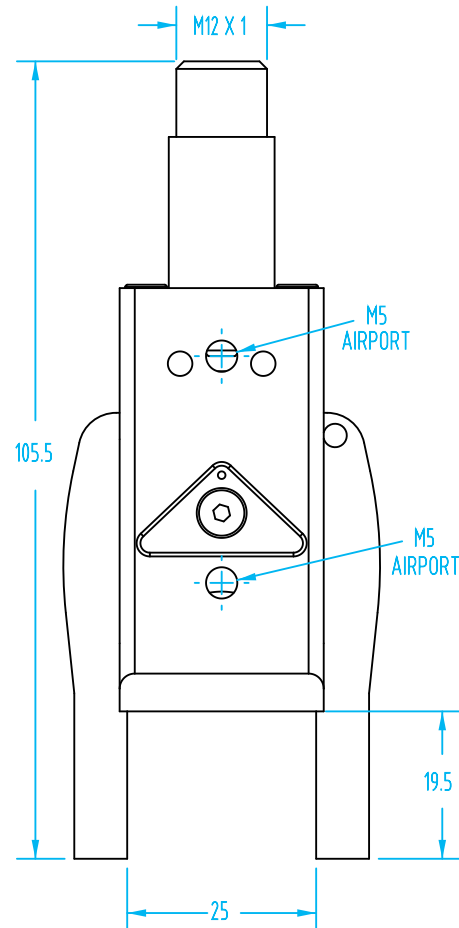
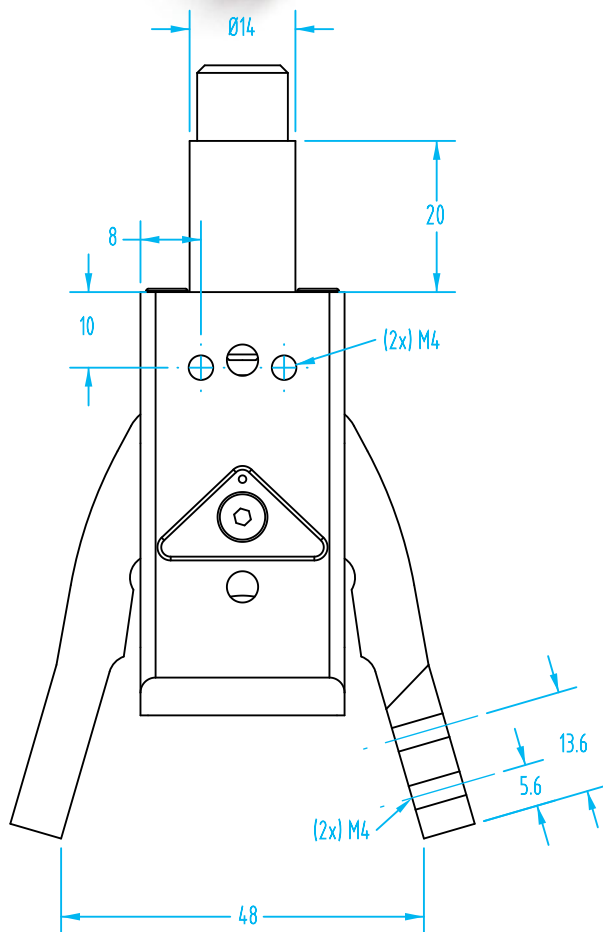
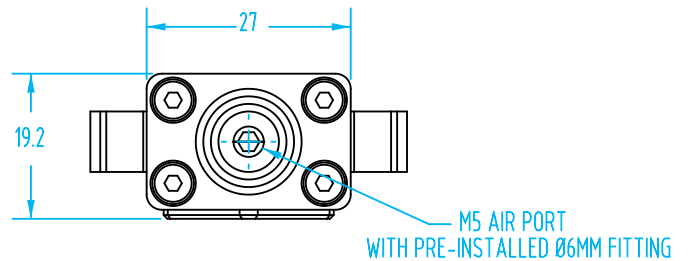
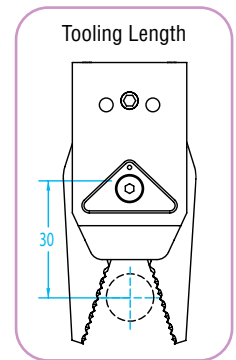
Medium-Body Sensor Finger – GRZ 14

#3741 - Double Acting with custom jaws

- Can be used for ID gripping depending on the application
- Double Acting



Starting 2021 GRZ 14 Grippers will have a push-in Ø6mm fitting installed on the shaft. Visit our website to find current information.



Double Acting GRZ Gripper with custom jaws

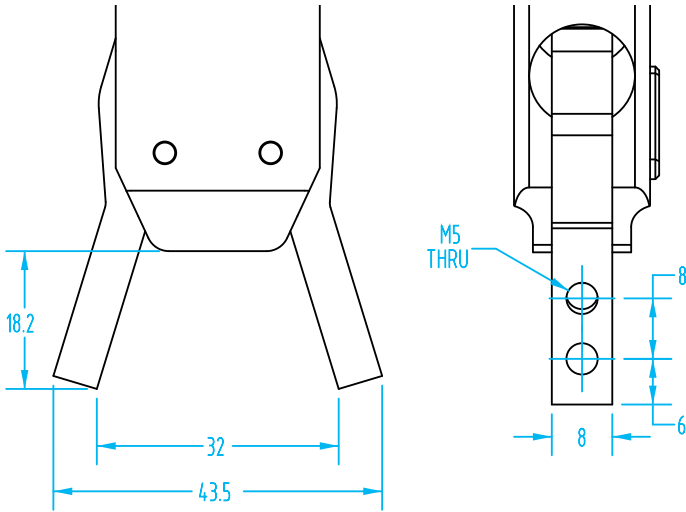
Quick#	Part#	>ASS< #	Price	lbs. Force at 30mm Tooling Length*	Weight
3741	GRZ-14-D-A	1-414-50-00	\$210.00	18.5lbf	82g

*Note: Force at 87psi (6 bar)

Medium-Body Sprue Grippers – GRZ 14

(Dimensioned drawings shown full scale)

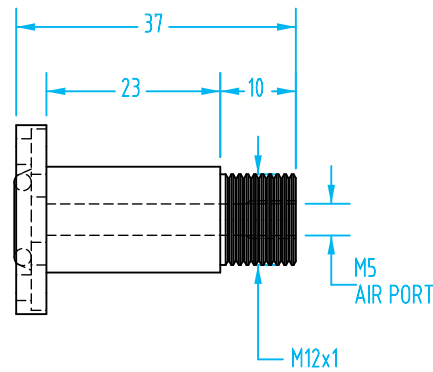
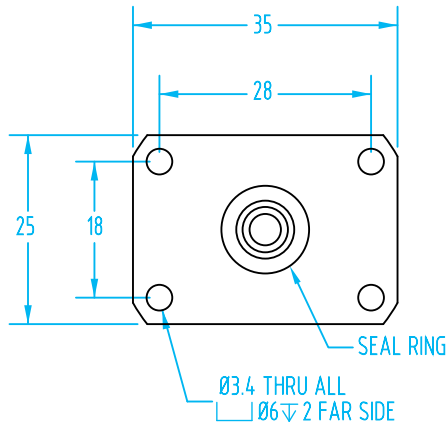
#3716 - Single Acting with custom jaws



Single Acting GRZ Gripper with custom jaws

Quick#	Part#	>ASS< #	Price	lbs. Force at 30mm Tooling Length*	Weight
3716	GRZ-14-A	1-414-09-00	\$183.75	18.5 lbf	65g

*Note: Force at 87psi (6 bar)



Mounting Bracket for GRZ-14 with 20mm Clampable Post

Quick#	Part#	>ASS< #	Wt	Price
NEW 3494	AD-14-GRZ-20-U	1-417-07-00	22g	\$228.90

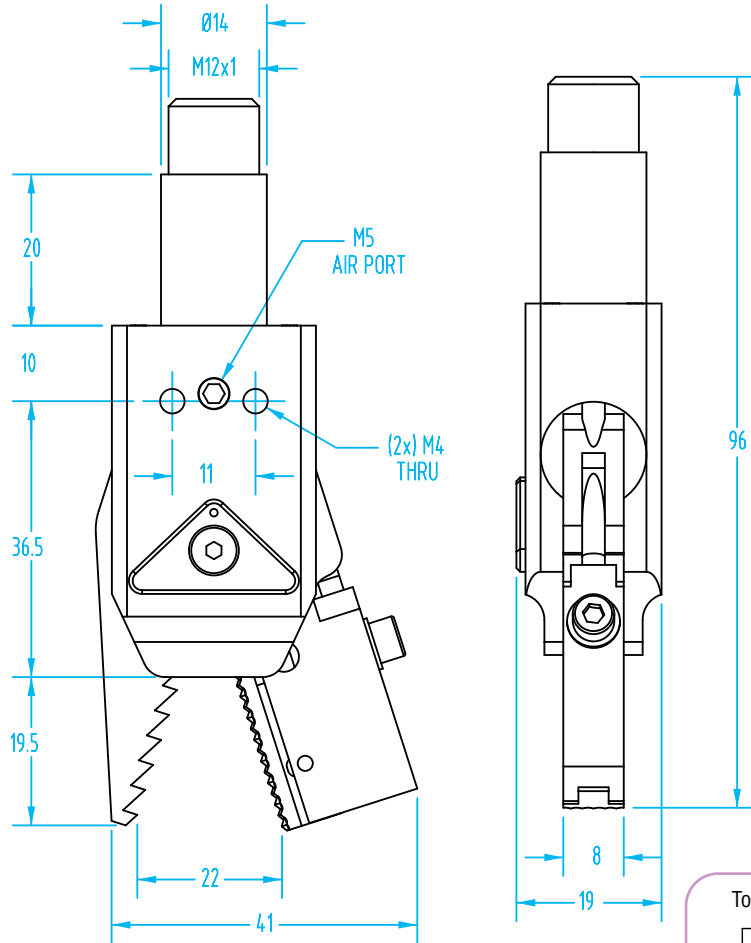
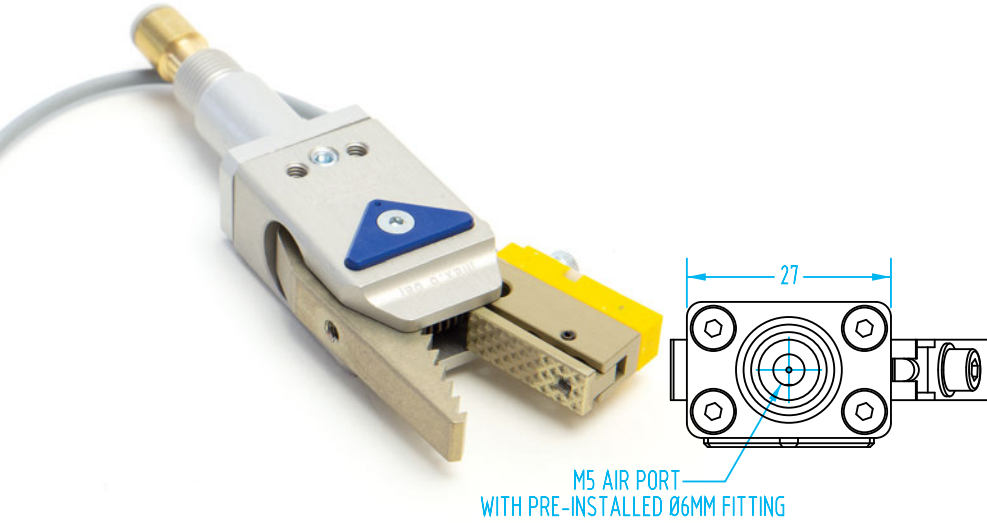
Includes hardware.



Medium-Body Sensor Finger – GRZ 14

(Dimensioned drawings shown full scale)

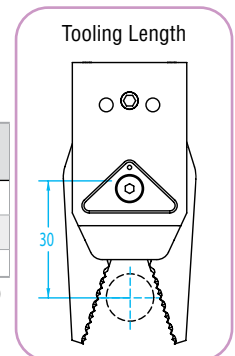
#3714 / #3715 - with saw jaws & sensor



Quick#	Part#	>ASS< #	Price	Style	lbs. Force at 30mm Tooling Length*	Applicable Sprue Ø	Wt.
3714	GRZ-14-SCS-PNP	1-414-42-00	\$269.85	Saw Jaw - PNP	18.5lbf	4-12mm	76g
3715	GRZ-14-SCS-NPN	1-414-44-00	\$269.85	Saw Jaw - NPN	18.5lbf	4-12mm	76g

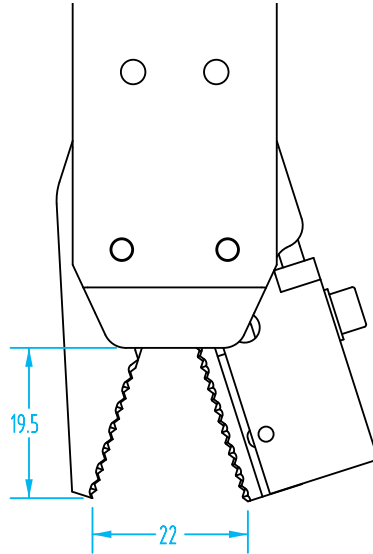
Includes sensor with M8 plug and a 6' KG 8-3 extension cable.

**Note: Force at 87psi (6 bar)*



Medium-Body Sprue Grippers – GRZ 14

#3711 / #3712 - with diamond textured jaws & sensor



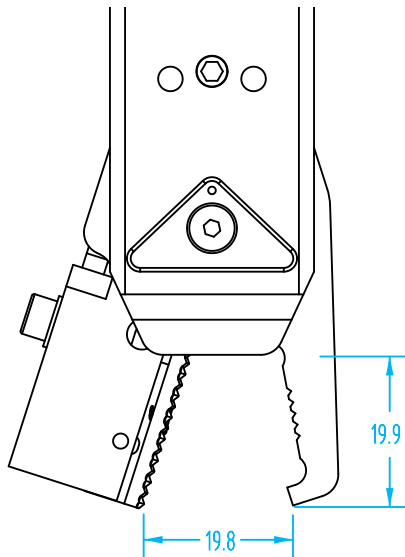
Quick#	Part#	>ASS< #	Price	Style	lbs. Force at 30mm Tooling Length*	Applicable Sprue Ø	Wt.
3711	GRZ-14-RCS-PNP	1-414-20-00	\$269.85	Diamond Texture Jaw - PNP	18.5lbf	4–12mm	76g
3712	GRZ-14-RCS-NPN	1-414-21-00	\$269.85	Diamond Texture Jaw - NPN	18.5lbf	4–12mm	76g

Includes sensor with M8 plug and a 6' KG 8-3 extension cable.

**Note: Force at 87psi (6 bar)*

#3742/ 3743 - with parrot style contoured jaws and sensor

- Contour jaws for round and half-round pieces, e.g. cold runner



Quick#	Part#	>ASS< #	Price	Style	lbs. Force at 30mm Tooling Length*	Applicable Sprue Ø	Weight
3742	GRZ-14-PS-CS-PNP	1-414-23-00	\$269.85	Parrot Jaw - PNP	18.5lbf	2–12mm	71g
3743	GRZ-14-PS-CS-NPN	1-414-23-01	\$269.85	Parrot Jaw - NPN	18.5lbf	2–12mm	71g

Includes sensor with M8 plug and a 6' KG 8-3 extension cable.

**Note: Force at 87psi (6 bar)*