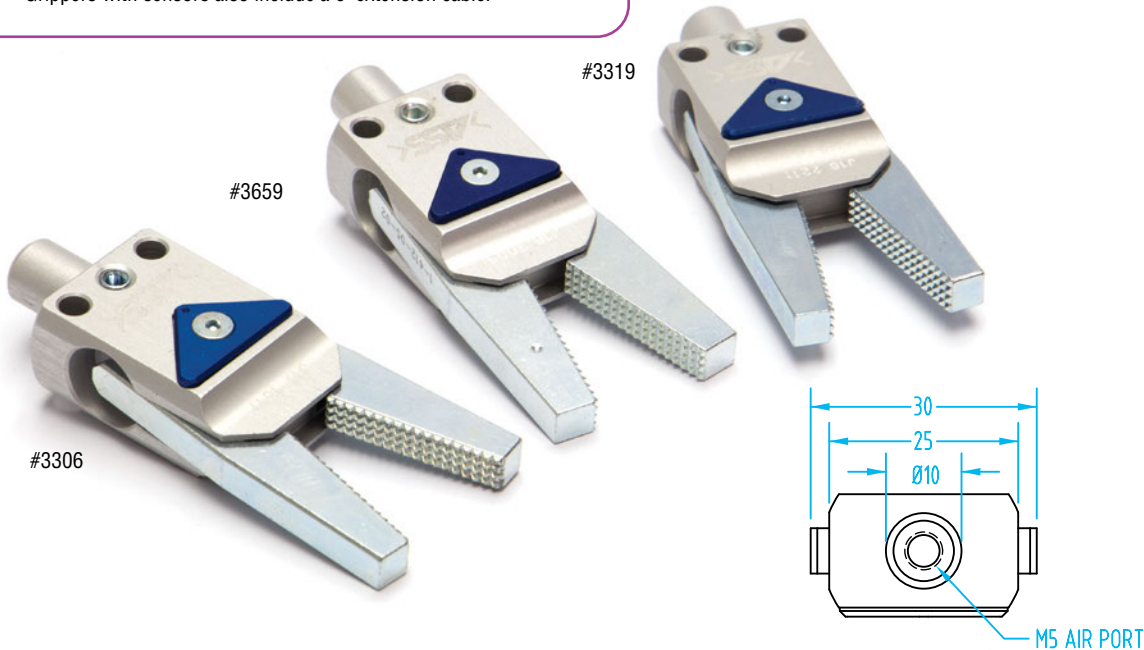


# Mini Sprue Grippers – GRZ 10-12

(Dimensioned drawings shown full scale)

## GRZ 10-12 Features:

- Single acting with spring opening.
- Jaws are made of steel, body made of anodized aluminum.
- Many mounting options — Ø10mm clampable body.
- M5 air ports on shaft and side.
- Grippers with sensors also include a 6' extension cable.

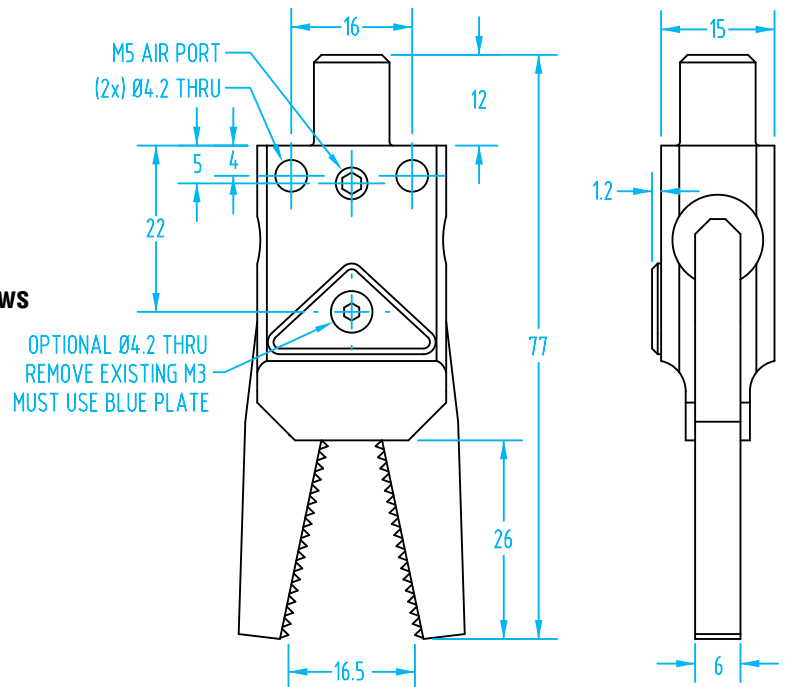


**#3306 - With diamond textured jaws**

**#3659 - With diamond textured, hardened jaws**

**#3319 - With diamond textured, heat-resistant jaws**

- Long term usage up to 302°F air temperature. Higher temperatures have to be tested individually.



Fittings Available on page 1047



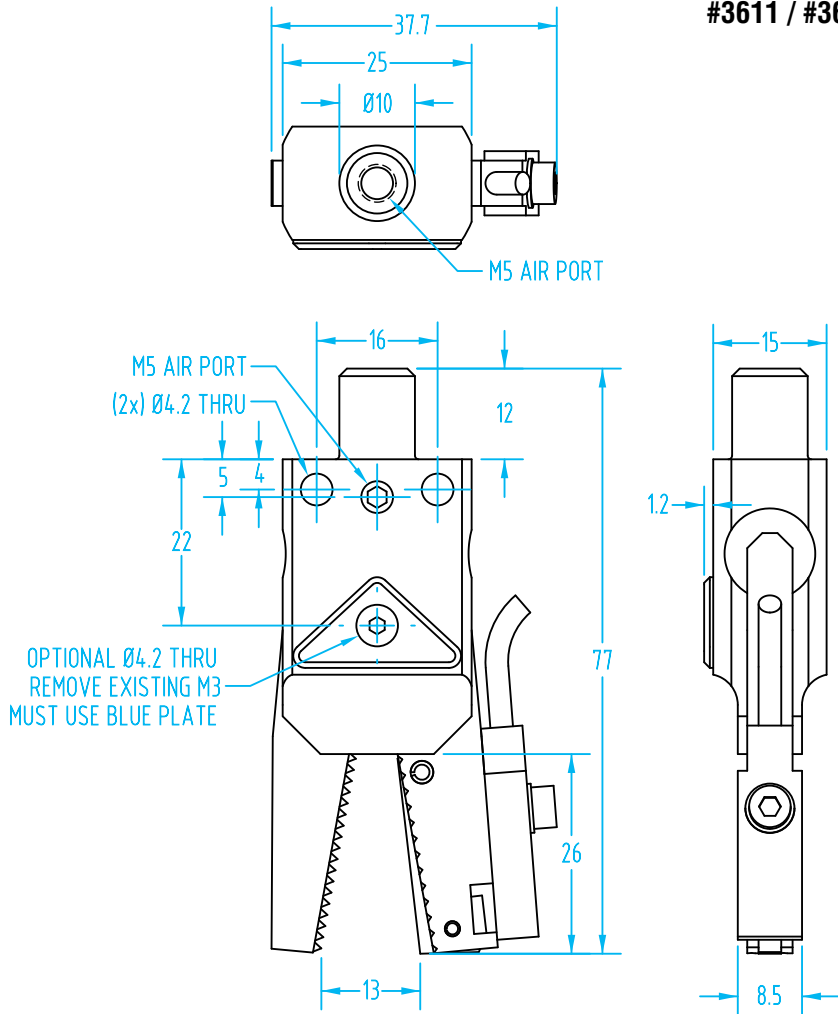
Quick#	Part#	>ASS< #	Price	Style	lbs. Force at 25mm Tooling Length*	Applicable Sprue Ø	Wt.
3306	GRZ10-12	1-412-03-00	\$141.23	Diamond textured jaws	11.0 lbf	4–9mm	57.7g
3659	GRZ-10-12-BG	1-412-05-00	\$176.93	Hardened jaws	11.0 lbf	4–9mm	57.7g
3319	GRZ-10-12-R-HT	1-412-66-00	\$174.30	Heat resistant jaws	11.0 lbf	4–9mm	70g

\*Note: Force at 87psi (6 bar)

Use Quick#s for easy online ordering.

# Mini Sprue Grippers – GRZ 10-12

(Dimensioned drawings shown full scale)



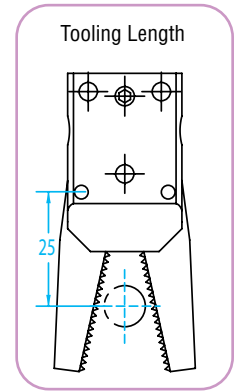
## #3611 / #3612 - With diamond textured jaws & sensor

- Grippers with sensors include a 6' extension cable.

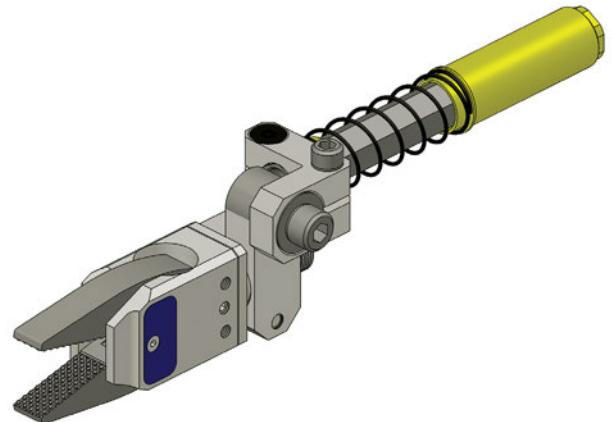
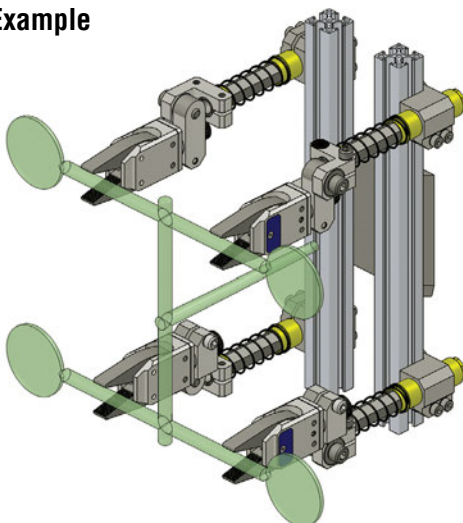


Quick#	Part#	>ASS< #	Price	Sensor	lbs. Force at 25mm Tooling Length*	Applicable Sprue Ø	Wt.
3611	GRZ-10-12-CS-PNP	1-412-18-00	\$231.00	PNP	11.0 lbf	3–9mm	63.8g
3612	GRZ-10-12-CS-NPN	1-412-24-00	\$231.00	NPN	11.0 lbf	3–9mm	63.8g

\*Note: Force at 87psi (6 bar)



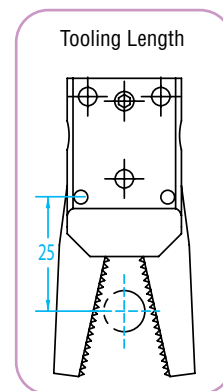
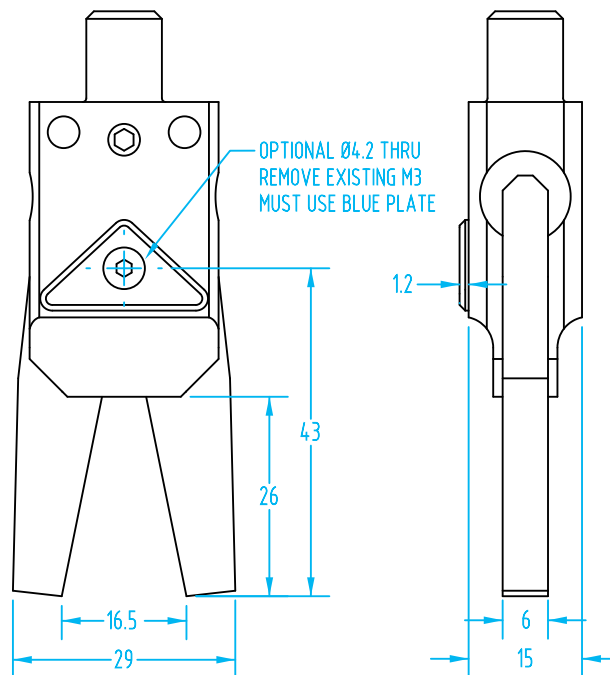
### Application Example



# Mini Sprue Grippers – GRZ 10-12

See full body dimensions on page 476.  
(Dimensioned drawings shown full scale)

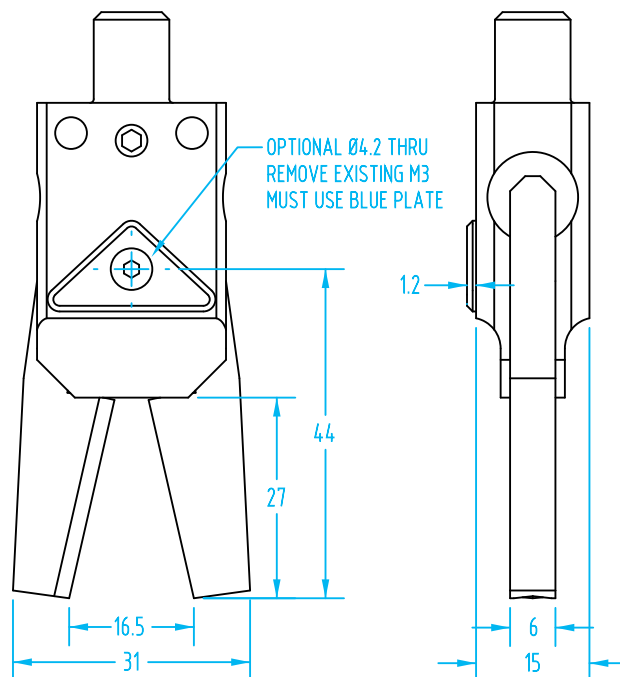
## #3655 - With smooth-surface jaws



Quick#	Part#	>ASS< #	Price	lbs. Force at 25mm Tooling Length*	Applicable Sprue Ø	Wt.
3655	GRZ-10-12-G	1-412-60-00	\$160.65	11.0 lbf	2-9mm	57.7g

\*Note: Force at 87psi (6 bar)

## #3656 / #3657 - With v-groove jaws

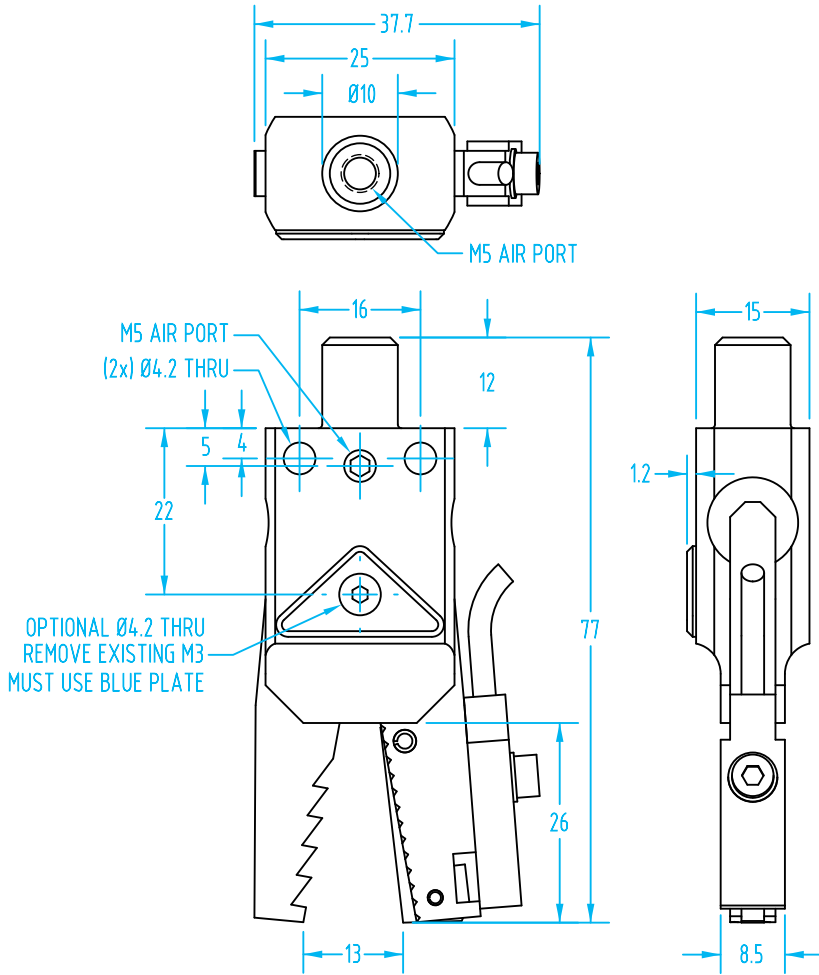


Quick#	Part#	>ASS< #	Price	lbs. Force at 25mm Tooling Length*	Applicable Sprue Ø	Wt.
3656	GRZ-10-12-PK	1-412-12-00	\$160.65	11.0 lbf	2-9mm	53g
3657	GRZ-10-12-KK	1-412-13-00	\$160.65	11.0 lbf	2-9mm	53g

\*Note: Force at 87psi (6 bar)

## Mini Sprue Grippers – GRZ 10-12

(Dimensioned drawings shown full scale)



### #3719 / #3720 - With saw jaw & sensor

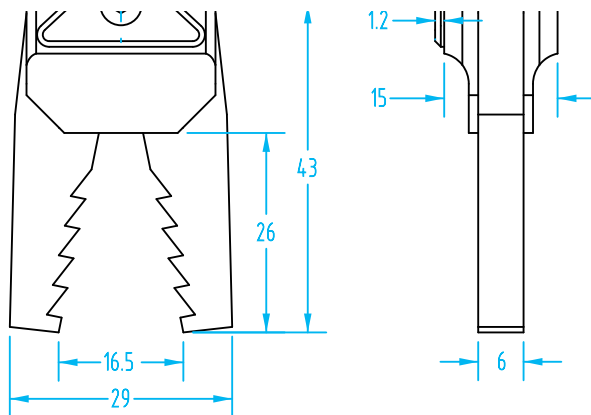
- Grippers with sensors include a 6' extension cable.



Quick#	Part#	>ASS< #	Price	Sensor	lbs. Force at 25mm Tooling Length*	Applicable Sprue Ø	Wt.
3719	GRZ-10-12-SCS-PNP	1-412-37-00	\$241.50	PNP	11.0 lbf	3–9mm	58g
3720	GRZ-10-12-SCS-NPN	1-412-38-00	\$241.50	NPN	11.0 lbf	3–9mm	58g

\*Note: Force at 87psi (6 bar)

### #3658 - With saw jaws



Quick#	Part#	>ASS< #	Price	lbs. Force at 25mm Tooling Length*	Applicable Sprue Ø	Wt.
3658	GRZ-10-12-S	1-412-35-00	\$160.65	11.0 lbf	4–9mm	39g

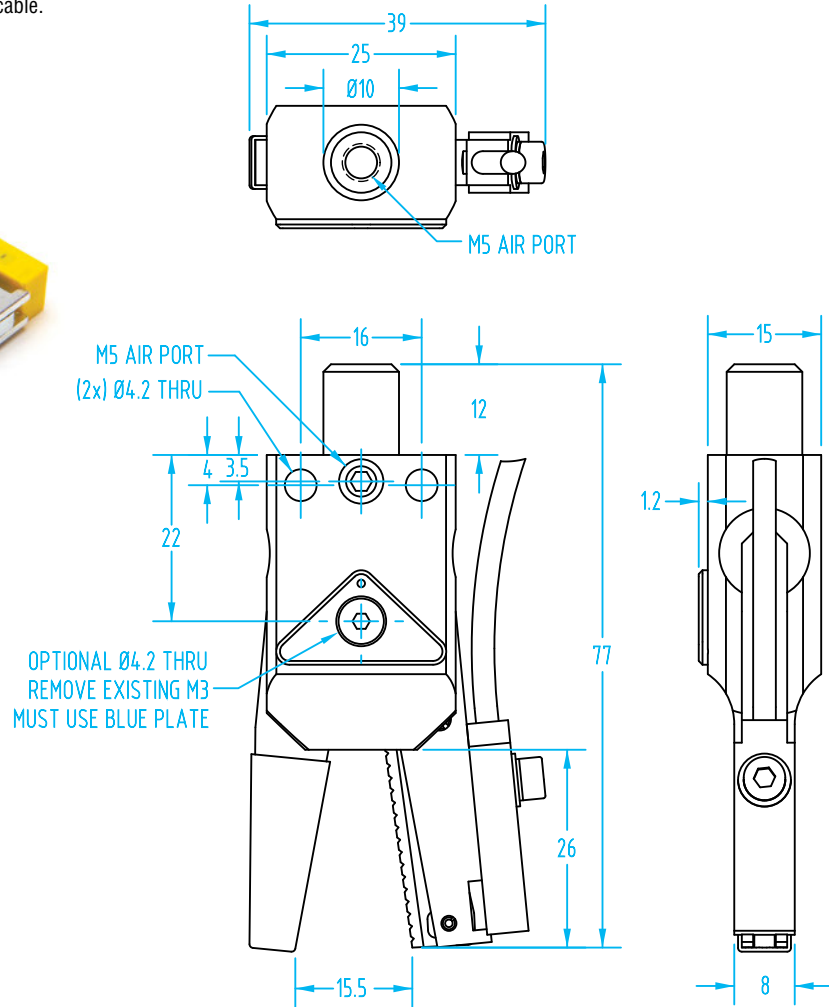
\*Note: Force at 87psi (6 bar)

# Mini Sprue Grippers – GRZ 10-12

(Dimensioned drawings shown full scale)

## #3918, #3919 - with EP coating and sensor

- Silicone free, non-marking coating
- 194°F (266°F short term) max. temperature
- Grippers with sensors include a 6' extension cable.



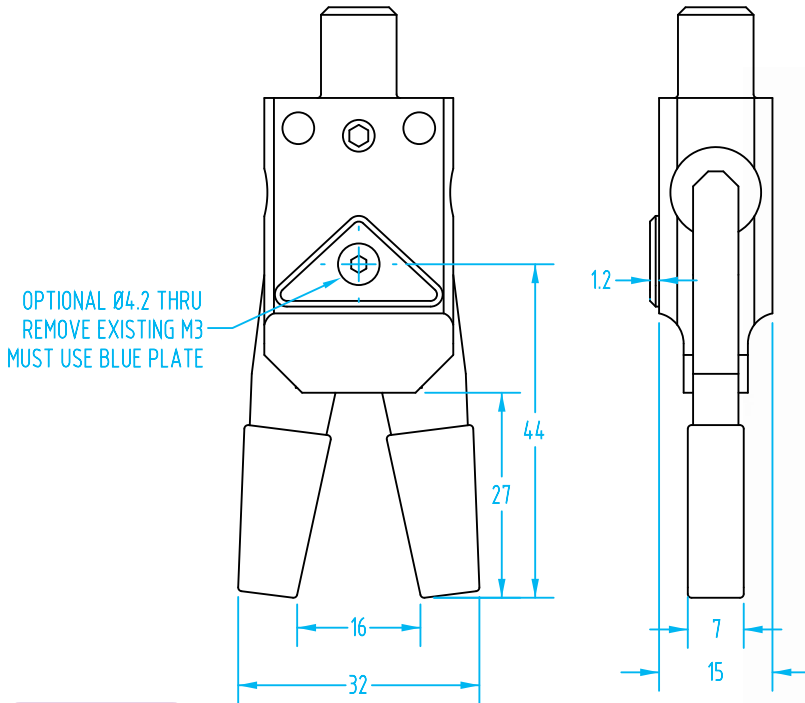
**NEW**

Quick#	Part#	>ASS< #	Price	lbs. Force at 25mm Tooling Length*	Applicable Sprue Ø	Wt.
3918	GRZ-10-12-CFS-EP-PNP	1-412-22-00	\$285.60	11.0 lbf	2-9mm	65g
3919	GRZ-10-12-CFS-EP-NPN	1-412-27-00	\$285.60	11.0 lbf	2-9mm	65g

\*Note: Force at 87psi (6 bar)

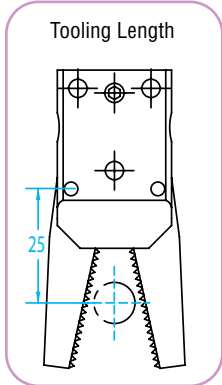
### Mini Sprue Grippers – GRZ 10-12

See full body dimensions on page 476.  
(Dimensioned drawings shown full scale)



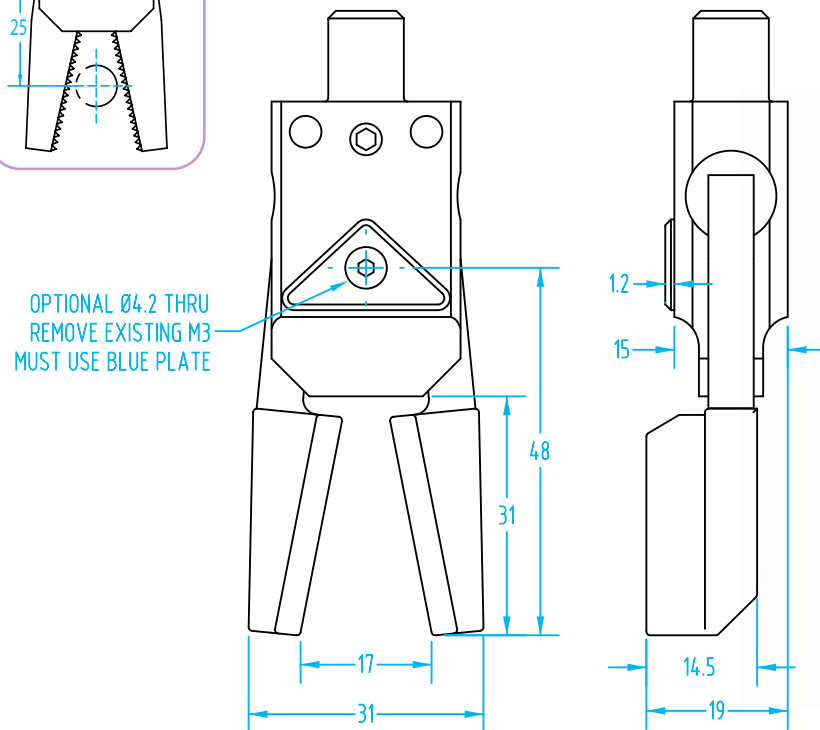
#### #3722 - With soft touch coated jaws

- Silicone free, non-marking coating
- 194°F (266°F short term) max. temperature



Quick#	Part#	>ASS< #	Price	lbs. Force at 25mm Tooling Length*	Applicable Sprue Ø	Wt.
3722	GRZ-10-12-EP	1-412-65-00	\$243.60	11.0 lbf	2–9mm	57.7g

\*Note: Force at 87psi (6 bar)



#### #3721 - With soft touch coated wide jaws

- Silicone free, non-marking coating
- 194°F (266°F short term) max. temperature



Quick#	Part#	>ASS< #	Price	lbs. Force at 25mm Tooling Length*	Applicable Sprue Ø	Wt.
3721	GRZ-10-12-AH-EP	1-412-39-00	\$252.00	11.0 lbf	2–9mm	72g

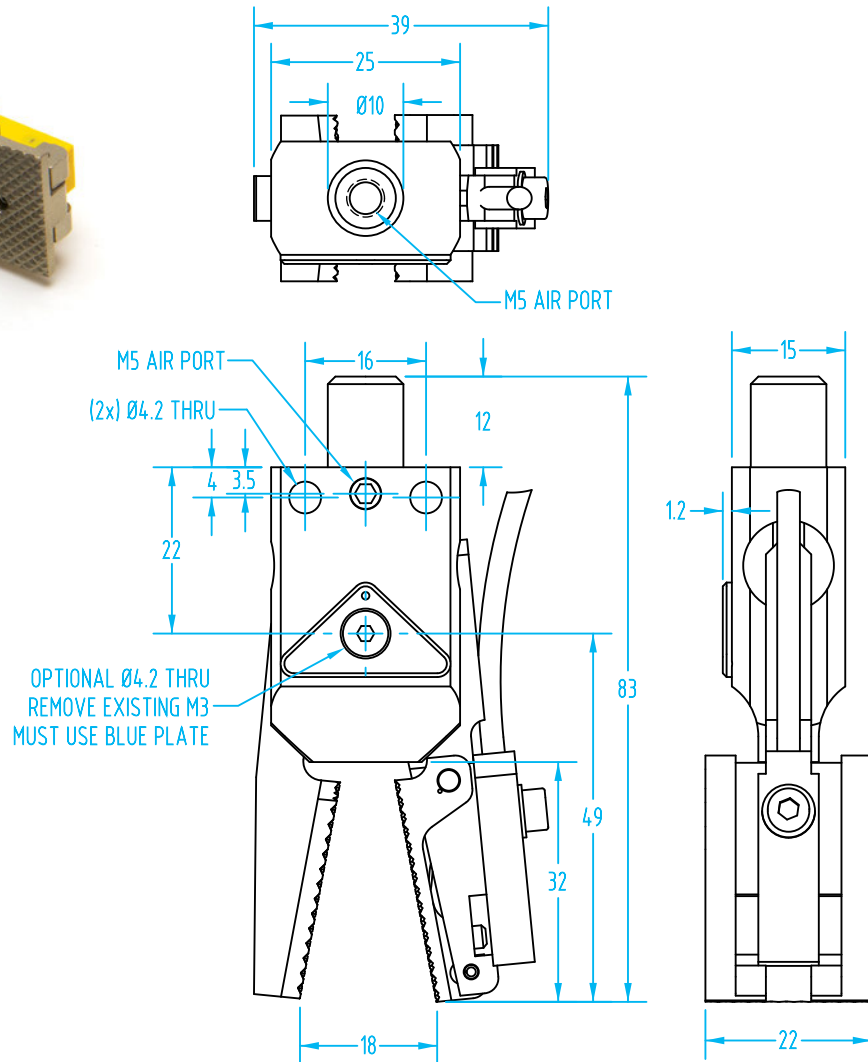
\*Note: Force at 87psi (6 bar)

# Mini Sprue Grippers – GRZ 10-12

(Dimensioned drawings shown full scale)

## #3894 & #3920 - With extra-wide jaws & sensor

- Jaws are made of zinc-plated steel with a checkered surface.
- Grippers with sensors include a 6' extension cable.



**NEW**

Quick#	Part#	>ASS< #	Price	lbs. Force at 25mm Tooling Length*	Applicable Sprue $\varnothing$	Wt.
3894	GRZ-10-12-RB-CS-PNP	1-412-43-00	\$229.43	11.0 lbf	2-9mm	75g
3920	GRZ-10-12-RB-CS-NPN	1-412-44-00	\$229.43	11.0 lbf	2-9mm	75g

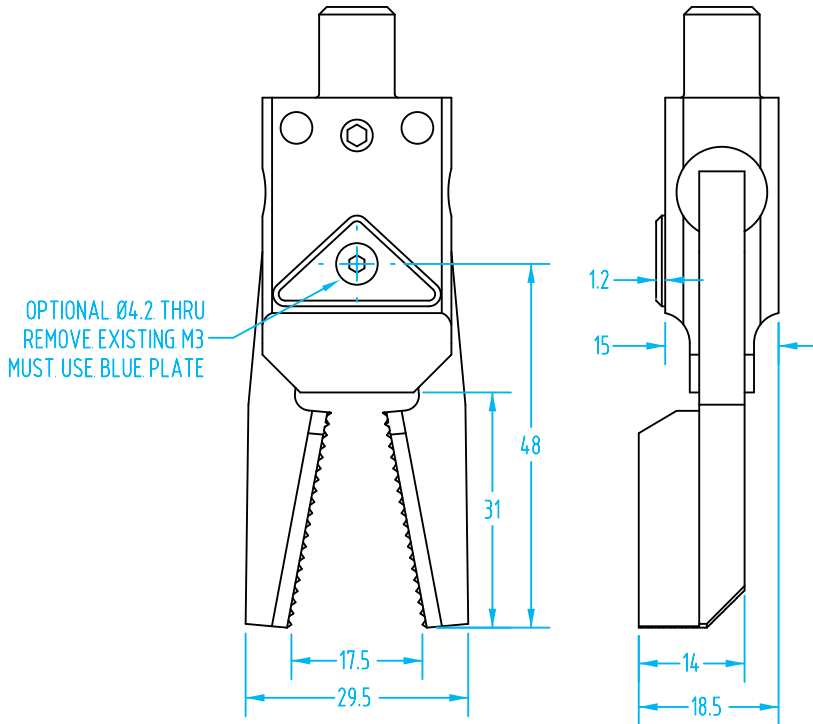
\*Note: Force at 87psi (6 bar)

Use Quick#s for easy online ordering.

# Mini Sprue Grippers – GRZ 10-12

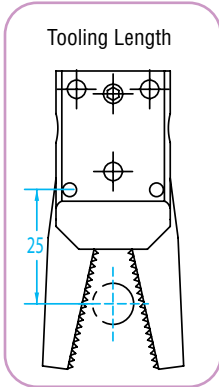
See full body dimensions on page 476.  
(Dimensioned drawings shown full scale)

## #3661 - With extra-wide jaws



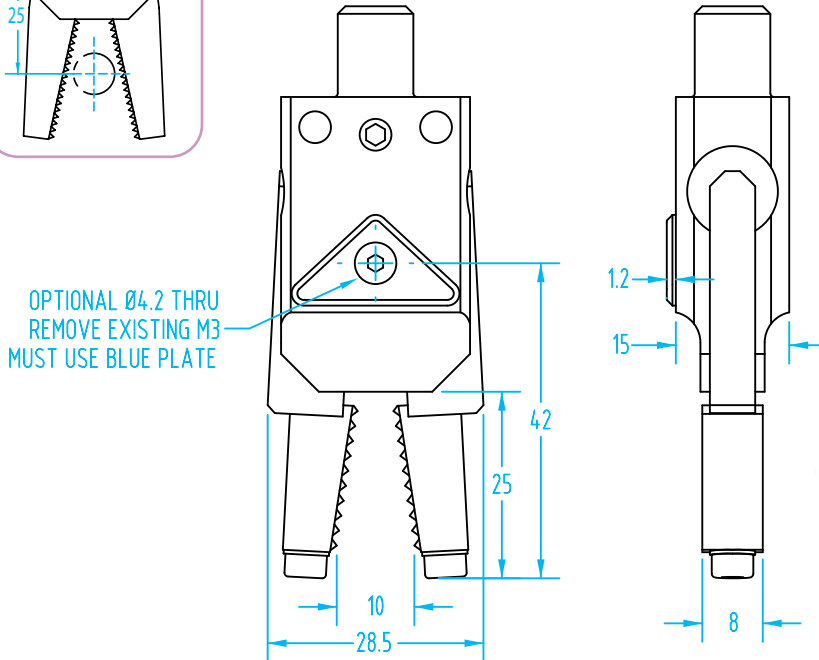
Quick#	Part#	>ASS< #	Price	lbs. Force at 25mm Tooling Length*	Applicable Sprue Ø	Wt.
3661	GRZ-10-12-AH	1-412-34-00	\$160.65	11.0 lbf	1–9mm	43g

\*Note: Force at 87psi (6 bar)



## #3660 - With swivel jaws

- Designed to grip conical parts or runners.
- Swivel jaws automatically adjust to the shape of the parts/runner.



Quick#	Part#	>ASS< #	Price	lbs. Force at 25mm Tooling Length*	Applicable Sprue Ø	Wt.
3660	GRZ-10-12-DB	1-412-30-00	\$233.10	11.0 lbf	3–9mm	59g

\*Note: Force at 87psi (6 bar)

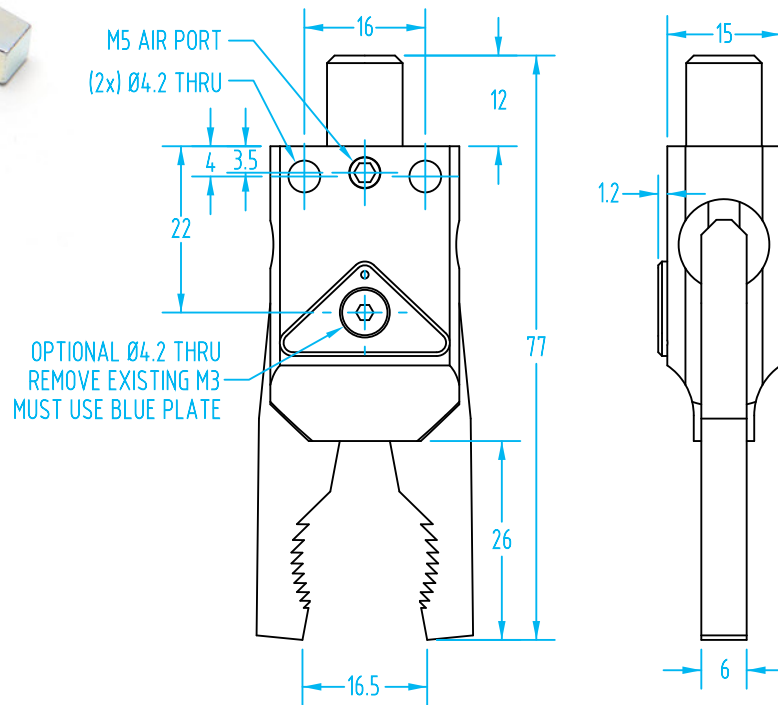
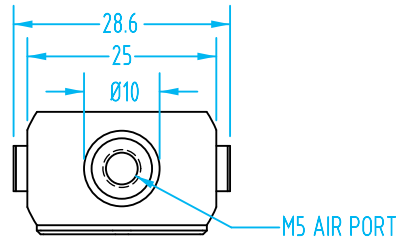


# Mini Sprue Grippers – GRZ 10-12

(Dimensioned drawings shown full scale)

## #3893 - With chamfer jaws

- This aggressively serrated chamfer design catches a gate or sprue within the GRZ gripper jaws.



**NEW**

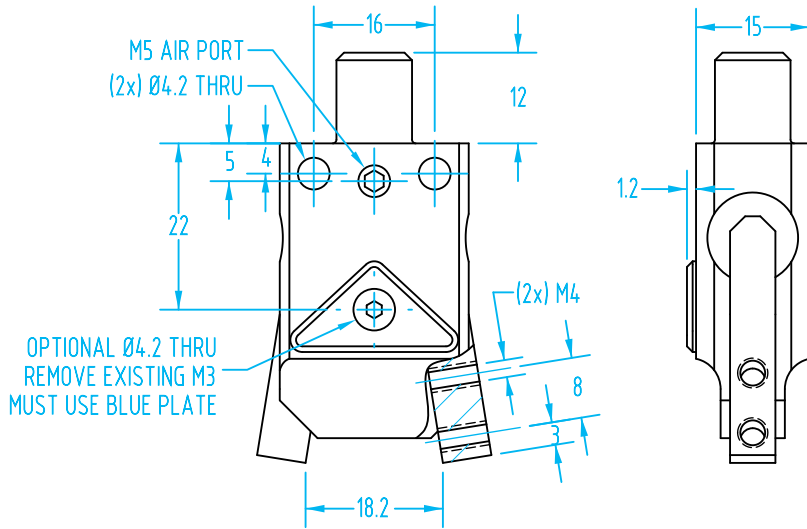
Quick#	Part#	>ASS< #	Price	lbs. Force at 25mm Tooling Length*	Wt.
3893	GRZ-10-12-Z	1-412-46-00	\$160.65	11.0 lbf	58g

\*Note: Force at 87psi (6 bar)

Fittings Available  
on page 1047

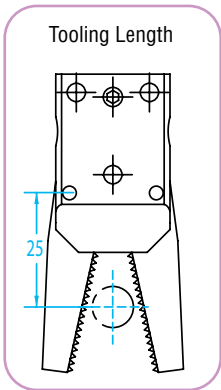
See full body dimensions on page 484.  
(Dimensioned drawings shown full scale)

### Mini Sprue Grippers – GRZ 10-12



#### #3662 - For custom-made jaws

- Two M4 tapped holes for each jaw

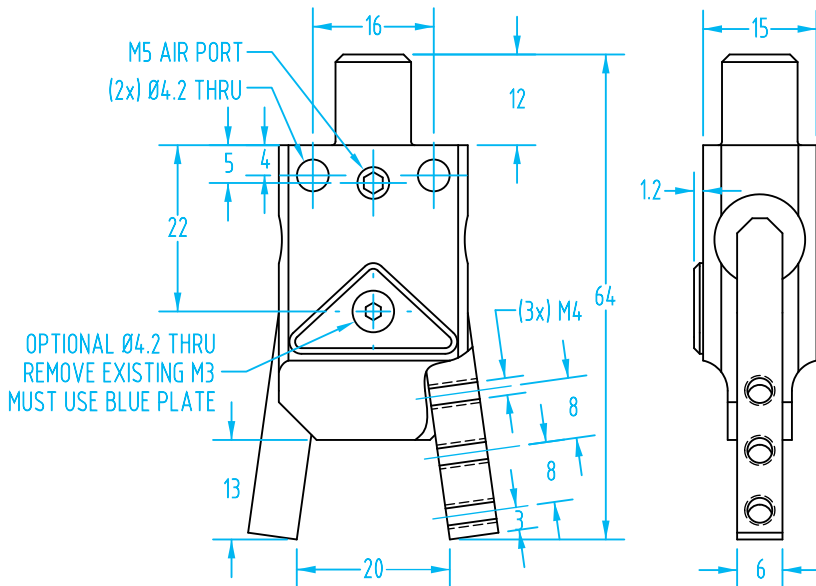


Quick#	Part#	>ASS< #	Price	lbs. Force at 25mm Tooling Length*	Wt.
3662	GRZ-10-12-A	1-412-06-00	\$138.60	11.0 lbf	39g

\*Note: Force at 87psi (6 bar)

#### #3308 - For custom-made jaws

- Three M4 tapped holes for each jaw



Quick#	Part#	>ASS< #	Price	lbs. Force at 25mm Tooling Length*	Wt.
3308	GRZ-10-12-A1	1-412-09-00	\$138.60	11.0 lbf	43g

\*Note: Force at 87psi (6 bar)