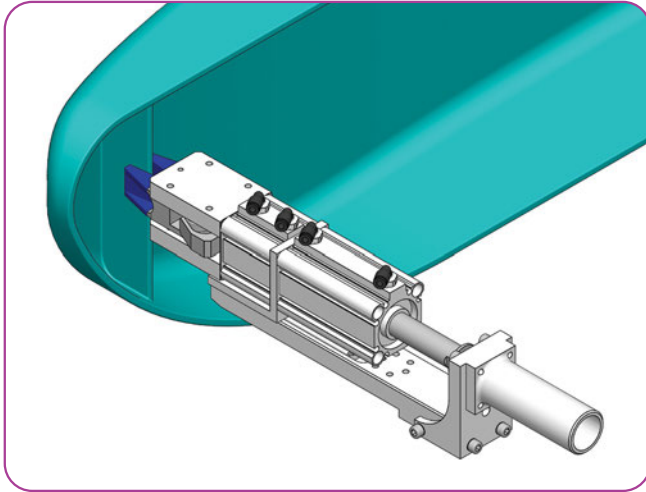


## Self-Adjusting Single Stroke Gripper – HUZ-P

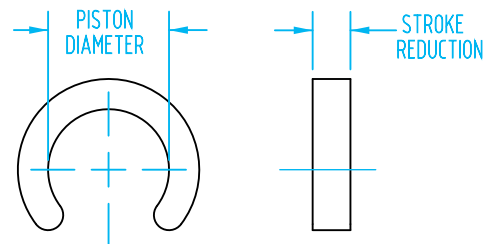


- These HUZ grippers have a built-in single-stroke of 20 or 30mm. They are used to pull a part out of a tool. A pull tab at the part is recommended.
- Single stroke, Double-acting.
- New sliding guides are self-adjusting to compensate any play.
- Three styles; LG: completely closing jaws, CS: jaw sensor with connector, EP: both jaws are EP coated.
- The CS version has a part present PNP sensor built into the jaws. It requires a 8mm 3 pin female connector, see page 987.
- Dimensional drawings available online.
- Self-Adjusting Double Stroke Gripper – HUZ-PD grippers also available online.

Quick#	Part#	>ASS<#	Price	Style	Stroke	Applicable Sprue Ø	Wt.
3769	HUZ-P-32-50-LG	1-743-30-00	\$783.30	-	50mm	12mm	1325g
3770	HUZ-P-32-50-CS	1-739-24-00	\$989.10	with PNP Sensor		12mm	1440g
3771	HUZ-P-32-50-EP	1-743-31-00	\$895.65	EP coated jaws		13mm	1402g



#3770 shown with stroke reducer.



### Stroke Reducers for HUZ Cylinders

Quick#	Part#	>ASS<#	Price	Stroke Reduction	Compatible to Compact Cylinder Ø	Ø Piston	Material	Wt.
3758	DB-5-32	1-710-01-00	\$9.45	5mm	32mm	16mm	POM	1g
3759	DB-10-32	1-710-02-00	\$10.50	10mm			POM	2g
3760	DB-15-32	1-710-03-00	\$15.75	15mm			POM/PA	4g