

Micro Sprue Gripper – PB-0008 & PB-0007

(Dimensioned drawings shown full scale)

NEW



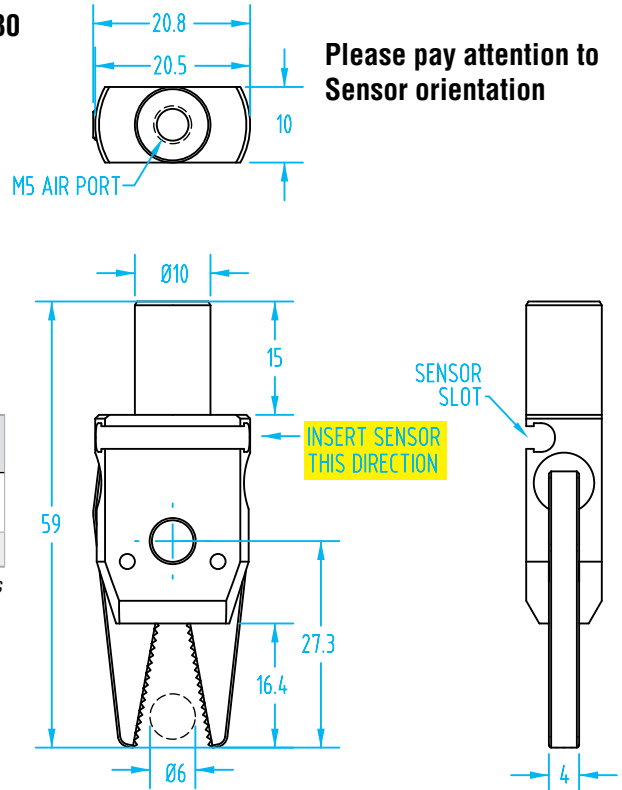
#7280 shown with sensor

Quick#	Part#	Price	Style	Applicable Sprue Ø	Closing Force*	Wt.
7280	PB-0008-S3	\$104.00	Diamond Textured Jaws	1–7mm	6.0 lbf	18g
7461	PB-0007-S3	\$119.00	Padded Jaws	1–7mm	6.0 lbf	17g

* The Closing Force listed is both jaws combined when supplied at 87psi. Tooling length is measured from jaw pivot point.

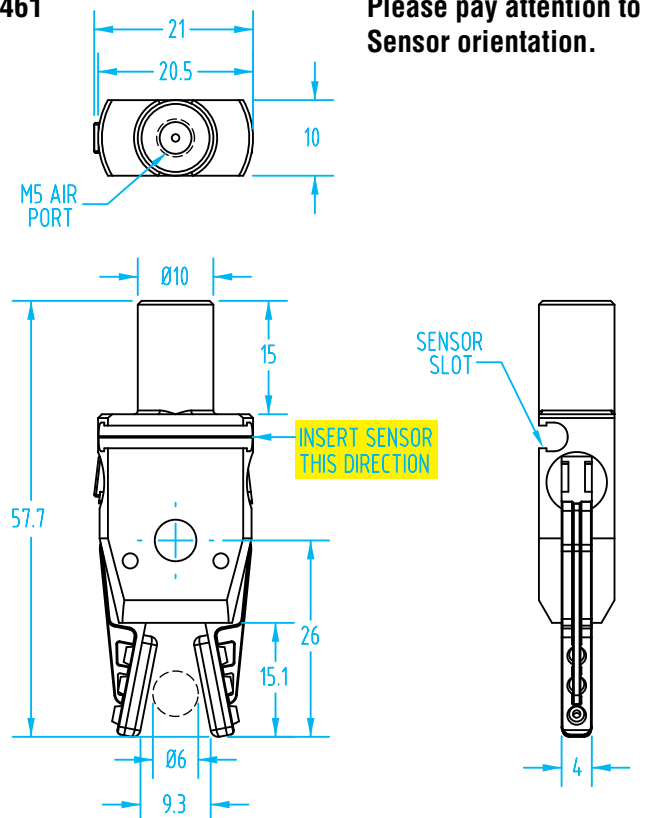
- New sensor slot on the body detects sprue gripped. PRO-SSR.. sensors are recommended and sold separately.
- Angular, non-self-centering.
- Gripper fingers join at the tip to grip small part/sprue diameters as small as 1mm.
- Ø10mm diameter mounting post with M5 airport allows this gripper to be used with standard mounting and air connection components.
- Very compact and lightweight but with enough grip force to reliably grip small parts and sprues.
- Ø5.5 thru hole added for direct plate mounting.
- #7280: Diamond-textured gripping surface is ideal for gripping small diameters.
- #7461: Non-marking HNBR pads have a maximum temperature of 302°F.
- Replacement parts available online.

#7280



Please pay attention to Sensor orientation

#7461



Please pay attention to Sensor orientation.

NEW



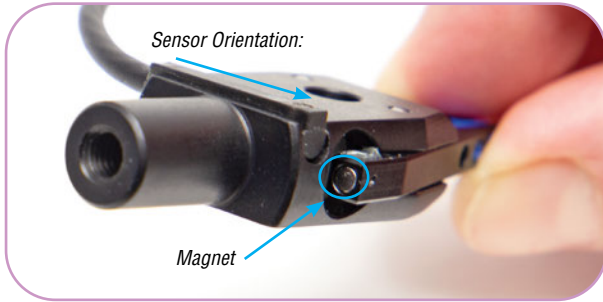
#7461

Replacement Pads for PB-0007 - priced EACH

Quick#	Part#	Material	Price
7373	PB-0007-1	HNBR	\$5.29

13.2mm length, 3.5mm width, 2mm thickness.

Sensors for Micro Sprue Gripper – PB-0008 & PB-0007



Watch our Teachable PRO Sensor video!

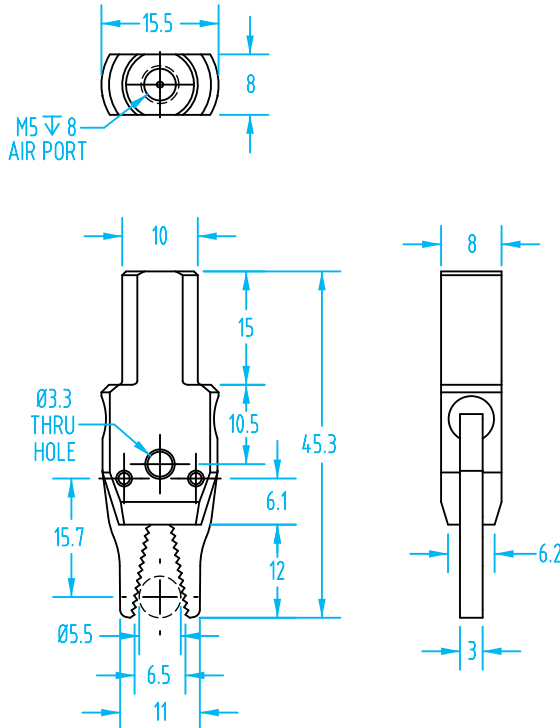
Due to the location of the PB micro grippers magnet, please pay attention to sensor orientation.

Sensors - for PB-0008-S3 (#7280) & PB-0007-S3 (#7461)

Quick#	Part#	Price	Signal & Style	Description
7644	PRO-SSR4N225G	\$70.00	PNP teachable sensor	5-wire with lead, 2.5m long
7645	PRO-SSR4M225G	\$70.00	NPN teachable sensor	5-wire with lead, 2.5m long
7646	PRO-SSR3N215G	\$87.00	PNP teachable sensor	5-wire w/ M8 male connector, 0.3m long*
7647	PRO-SSR3M215G	\$87.00	NPN teachable sensor	5-wire w/ M8 male connector, 0.3m long*

* M8 Extension cables Quick#'s 2582 & 2583 available on page 985.
See Sensor Reference Guide on page 1008 for a complete list of sensors for PB Grippers.

(Dimensioned drawings shown full scale)



Nano Sprue Gripper – PB-0002



- With a 6mm bore, 8mm thickness and 45mm total length, this is the smallest Gimatic Sprue Gripper available.
- Angular, non-self-centering.
- Ø10mm diameter mounting post with M5 airport allows this gripper to be used with standard mounting and air connection components.
- Gripper fingers join at the tip to grip small part / sprue for diameters as small as 1mm.

Quick#	Part#	Price	Description	Applicable Sprue Ø	Closing Force*	Wt.
7622	PB-0002	\$106.00	Normally Open	1–5.5 mm	2.8 lbf	7g

* The Closing Force listed is both jaws combined when supplied at 87psi. Tooling length is measured from jaw pivot point.